

Remote Camera System – Specifications & Dimensions

AW-HE130W/K

General		
Power Requirements	DC 12 V (AC adaptor supplied) DC 42 - 57 V (PoE+ power supply) 1.8 A (AC adaptor supplied) 0.6 A (PoE+ power supply)	
Ambient Operating Temperature	0 °C to 40 °C (32 °F to 104 °F)	
Allowable Humidity Ranges	20 % to 90 % (no condensation)	
Storage Temperature	-20 °C to 50 °C (-4 °F to 122 °F)	
Mass	Approx. 3.1 kg (6.83 lb) [including mount bracket]	
Dimensions (W x H x D)	180 mm x 228 mm x 234 mm (7-3/32 inches x 9 inches x 9-3/16 inches) [excluding protrusions, cable cover, direct ceiling mount bracket]	
Finish	AW-HE130WP/AW-HE130WE: Pearl white AW-HE130KP/AW-HE130KE: Metallic black	
Controller Supported ^{†1}	AW-RP120G, AW-RP50, AK-HRP200G	
Camera Unit		
Imaging Sensors	1/2.86-type Full-HD 3MOS	
Lens	Optical 20 zoom, F1.6 to F3.4 (f=4.5 mm to 90 mm; 35 mm equivalent: 32.13 mm to 642.5 mm)	
Focus	Switching between auto and manual	
Focus Distance	Entire zooming range: 800 mm (2.62 ft) Wide end: 400 mm (1.31 ft)	
Color Separation Optical System	3MOS	
Minimum Illumination	2 lx (50 IRE, F1.6, 36 dB)	
Horizontal Resolution	1000 TV lines Typ (Center area)	
Gain Selection	Auto, 0 dB to 36 dB	
Frame Mix ^{*2}	0 dB, 6 dB, 12 dB, 18 dB, 24 dB	
Electronic Shutter Speed	59.94p/ 59.94i	1/100, 1/120, 1/250, 1/500, 1/1000, 1/2000, 1/4000, 1/10000
	29.97p	1/30, 1/60, 1/120, 1/250, 1/500, 1/1000, 1/2000, 1/4000, 1/10000
	23.98p	1/24, 1/60, 1/120, 1/250, 1/500, 1/1000, 1/2000, 1/4000, 1/10000
	50p/50i	1/60, 1/120, 1/250, 1/500, 1/1000, 1/2000, 1/4000, 1/10000
	25p	1/25, 1/60, 1/120, 1/250, 1/500, 1/1000, 1/2000, 1/4000, 1/10000
Synchro Scan	59.94 Hz	60.15 Hz to 642.21 Hz
	50 Hz	50.15 Hz to 535.71 Hz
Gamma	HD, SD, FILMLIKE1, FILMLIKE2, FILMLIKE3 0.30 to 0.75 (Manual setting)	
White Balance	AWB A, AWB B, ATW, 3200K, 5600K, VAR (2000K to 15000K)	
Chroma Amount Variability	OFF, -99 % to 40 %	
Scene File	Scene1, Scene2, Scene3, Scene4	
Synchronization System		
Synchronization System	Internal/External synchronization (BBS/Tri-level sync)	
Input		
Input Connector	DC 12 V IN, G/L IN (BNC) • BBS (Black Burst Sync), tri-level sync supported • Locking to a color subcarrier is not possible with BBS. PoE+ (IEEE802.3at standard)	

Output		
Video output	HDMI	HDMI connector • HDCP is not supported. • Viera Link is not supported.
	HD/SD-SDI OUT	SMPTTE2424/SMPTTE292/ SMPTTE259 standards 75 Ω (BNC x 1)
	VIDEO OUT	NTSC/PAL 1.0 V [p-p]/75 Ω (BNC x 1)

Input/Output		
	LAN	LAN connector for IP control (RJ-45), PoE+
	RS-422	CONTROL IN RS-422A (RJ-45)
Input/Output connector		ø3.5 mm stereo mini jack Input impedance: High impedance • During MIC input Supported mic: Stereo mic (plug-in power, on/off switching via menu) • Supply voltage: 2.5 V ± 0.5 V Mic input sensitivity: Approx. -40 dBV ± 3 dBV (0 dB=1 V/Pa, 1 kHz) • During LINE input Input level: Approx. -10 dBV ± 3 dBV
	MIC/LINE input	

Pan-tilt Head Unit	
Installation Method	Stand-alone (Desktop) or suspended (Hanging) ^{*3}
Camera/Pan-tilt Head Control	IP connecting cable • When connecting through a PoE+ hub: LAN cable ^{*4} (category 5e or above, straight cable), max. 100 m (328 ft) • When a PoE+ hub is not used: LAN cable ^{*4} (category 5 or above, crossover cable) max.100 m (328 ft)
	RP connecting Cable LAN cable ^{*4} (category 5 or above, straight cable), max. 1000 m (3280 ft) RS-422A, AW series protocol
Pan-tilt Operation Speed	0.08°/s to 60°/s
Panning Range	±175°
Tilting Range ^{*7}	-30° to 210° ^{*5}
Quietness	NC35 or less

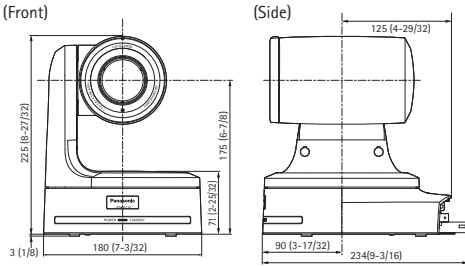
Standard Accessories	
Mount bracket for installation surface (Hanging ^{*6} / Desktop):	1, Drop-prevention wire: 1, Drop-prevention wire mounting screw (comes attached to the unit): 1, Bracket mounting screws (bind-head) M4 x 10 mm: 4, Main unit mounting screw (with flat washers/spring washer) M3 x 6 mm: 1, Cable cover: 1, Power cable: 1, AC adaptor: 1, CD-ROM

^{†1}: It may be necessary to upgrade the version of the controller in order to support the unit. For details on upgrading, visit the support page on the following website. <http://pro-av.panasonic.net/> ^{*2}: This cannot be configured when the format is 1080/29.97p, 1080/23.98p, 1080/29.97PsF, 1080/23.98PsF, 1080/25p, or 1080/25PsF. ^{*3}: To ensure safety, the unit must be secured using the mount bracket supplied. ^{*4}: Use of an STP (shielded twisted pair) cable is recommended. ^{*5}: Depending on the pan or tilt position, the camera may be reflected in the image. ^{*6}: To ensure more safety, AW-HE130W/K can be secured by using the direct ceiling mount bracket (WV-Q105A).

^{*}For informations on "Output Signal Format", see page 38.

Dimensions

Unit: mm(inches)



Rear View



Pin Configuration

(Common for AW-UE70W/K, AW-HE130W/K, AW-HE40 series)

RS-422 Connector <RS-422>

This RS-422 connector (RJ45) is connected when exercising serial control over the unit from an external device. Use a cable with the following specifications for the connection to this connector. The tally lamp can be lit by shorting the TALLY signal (pin 2) with GND (pin 1).

- Do not apply a voltage to the TALLY signal pin.

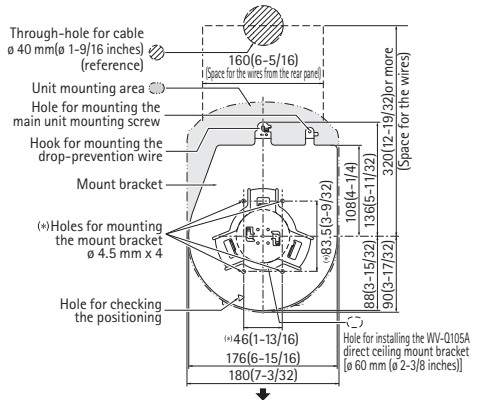
LAN cable*(category 5 or above, straight cable), max. 1000 m (3280 ft)
 * Use of an STP (shielded twisted pair) cable is recommended.



Pin NO.	Signal	Pin NO.	Signal
1	GND	5	TXD+
2	TALLY	6	RXD+
3	RXD-	7	-
4	TXD-	8	-

Bottom View

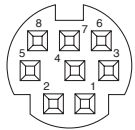
Unit: mm(inches)



The front panel of the unit on this side.

RS-232C Connectors <RS-232C IN/OUT>

Connects to an RS-232C cable.

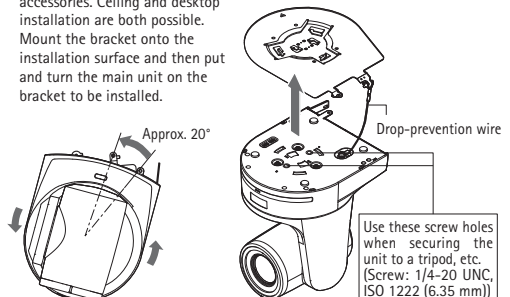


RS-232C IN		RS-232C OUT	
Pin NO.	Signal	Pin NO.	Signal
1	DTR_IN	1	DTR_OUT
2	DSR_IN	2	DSR_OUT
3	TXD_IN	3	TXD_OUT
4	GND	4	GND
5	RXD_IN	5	RXD_OUT
6	GND	6	GND
7	IR OUT R	7	NC
8	IR OUT L	8	NC

Ceiling Installation View

Optimal for both hanging and desktop installation.

The mounting bracket and drop-prevention wire are standard accessories. Ceiling and desktop installation are both possible. Mount the bracket onto the installation surface and then put and turn the main unit on the bracket to be installed.



AW-HE120W/K installation mount bracket can be used. The mounting bracket for HE130 differs from that of discontinued AW-HE50 and AW-HE60 and current AW-HE40 series.

* Wiring, mounting, and removal must be done by a qualified technician. To ensure safety, consult with the dealer from whom you purchased the system.