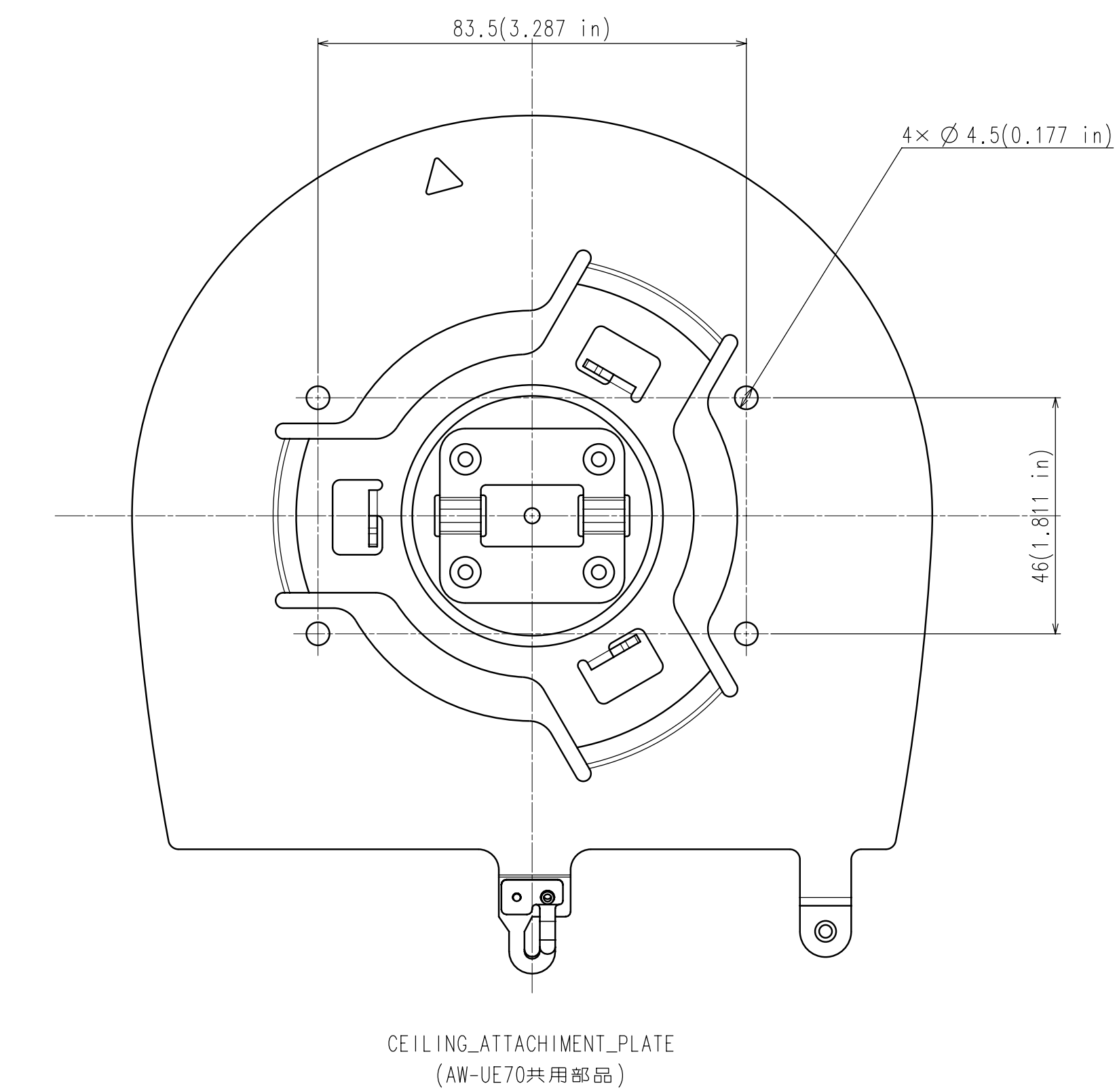
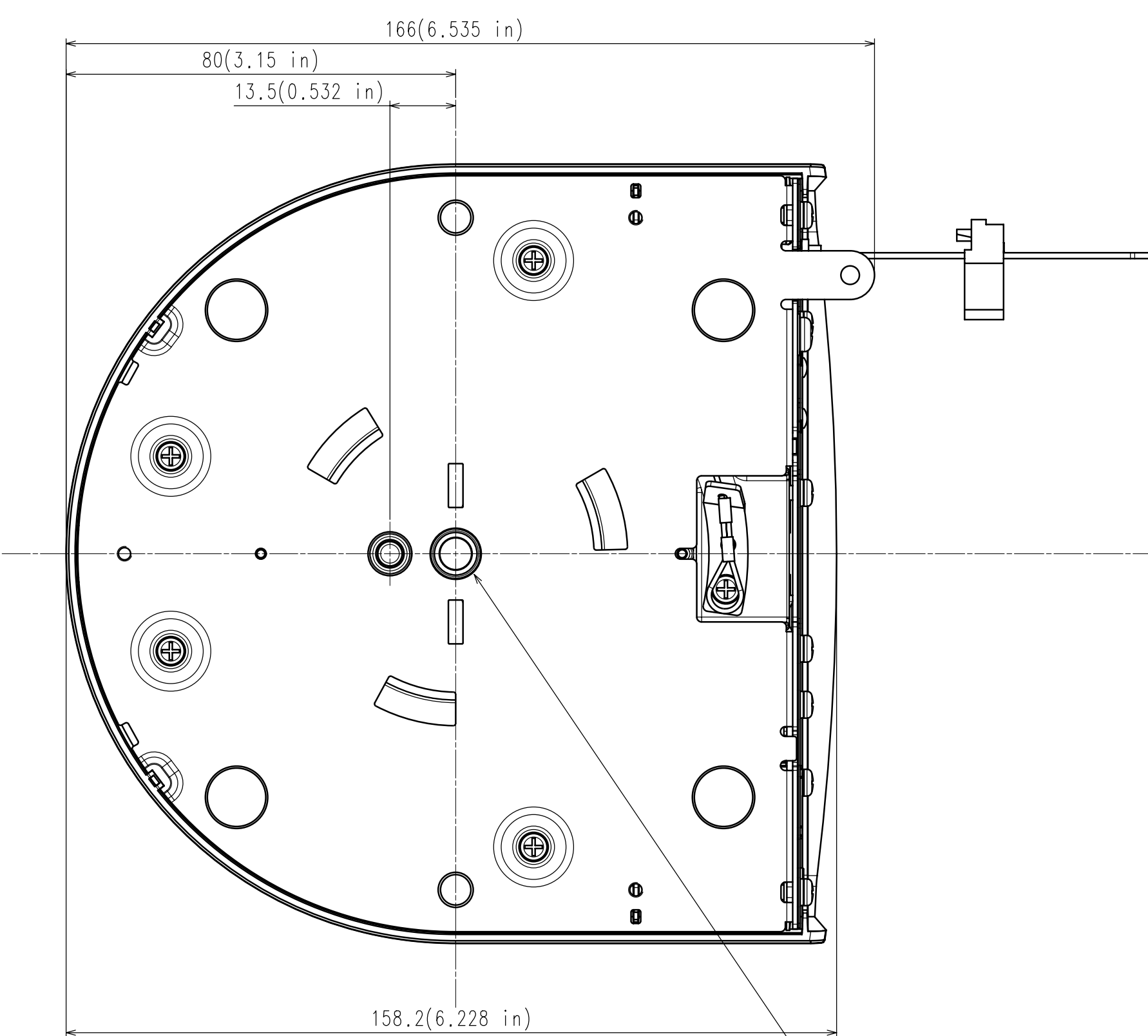
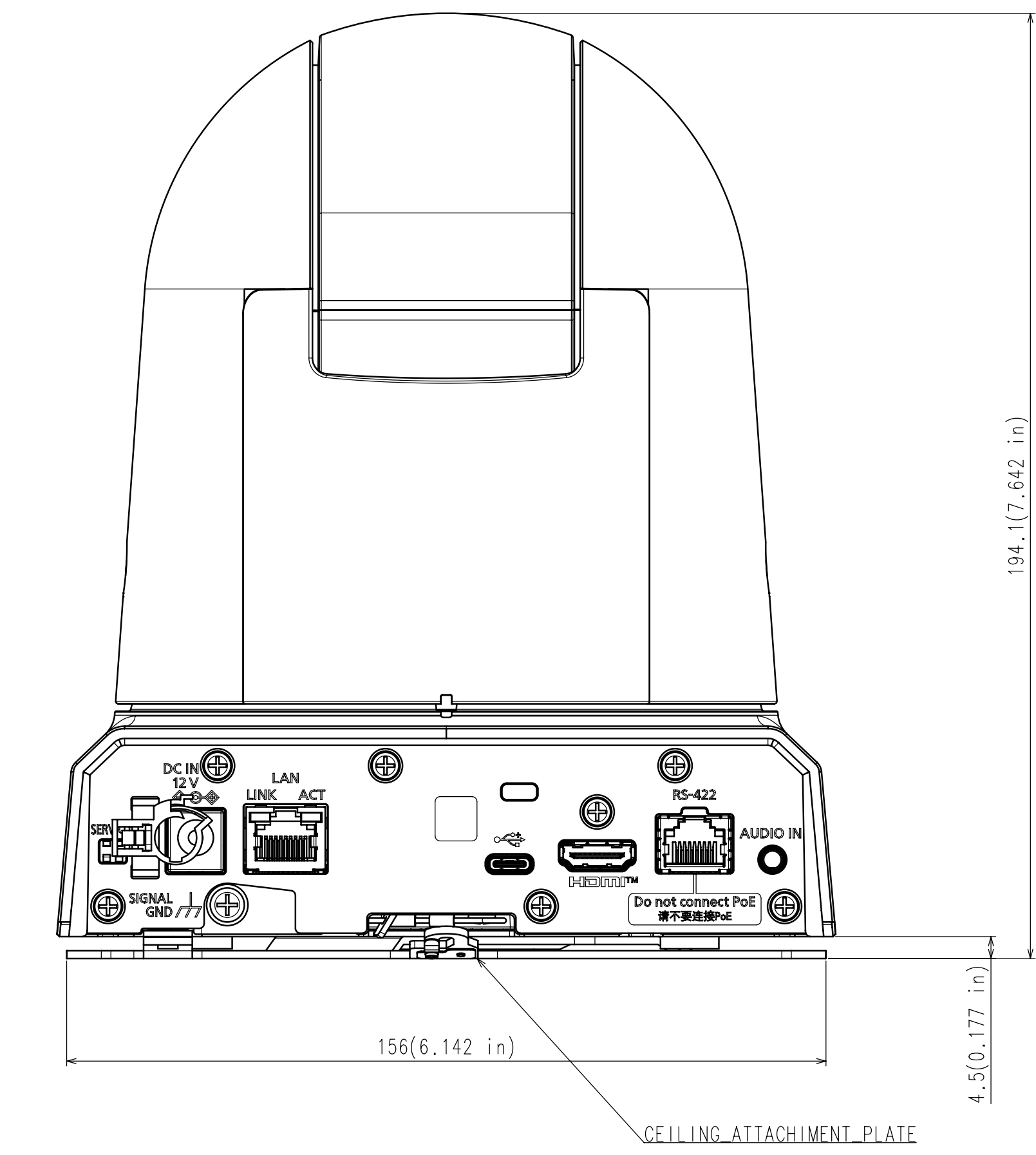
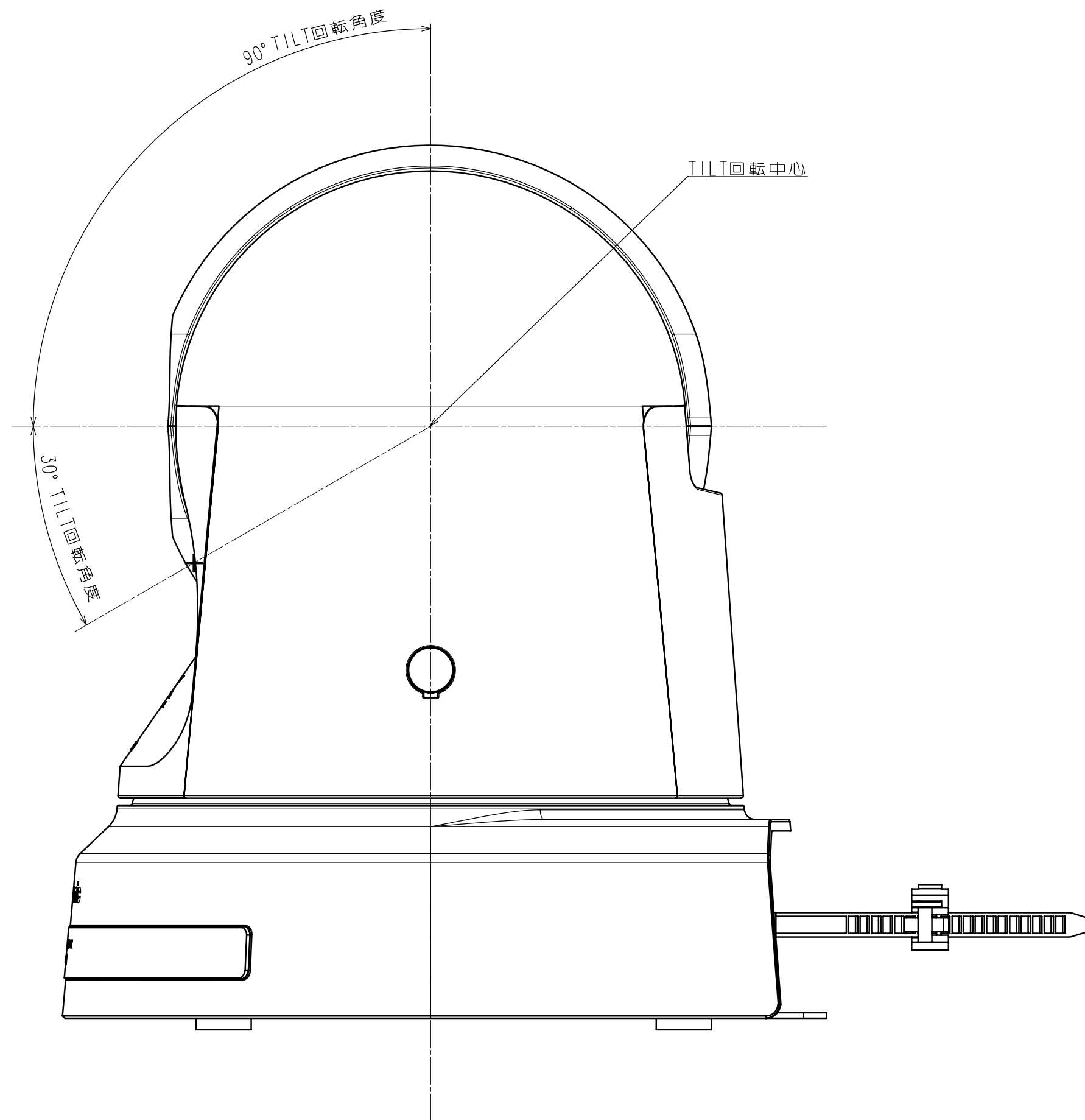
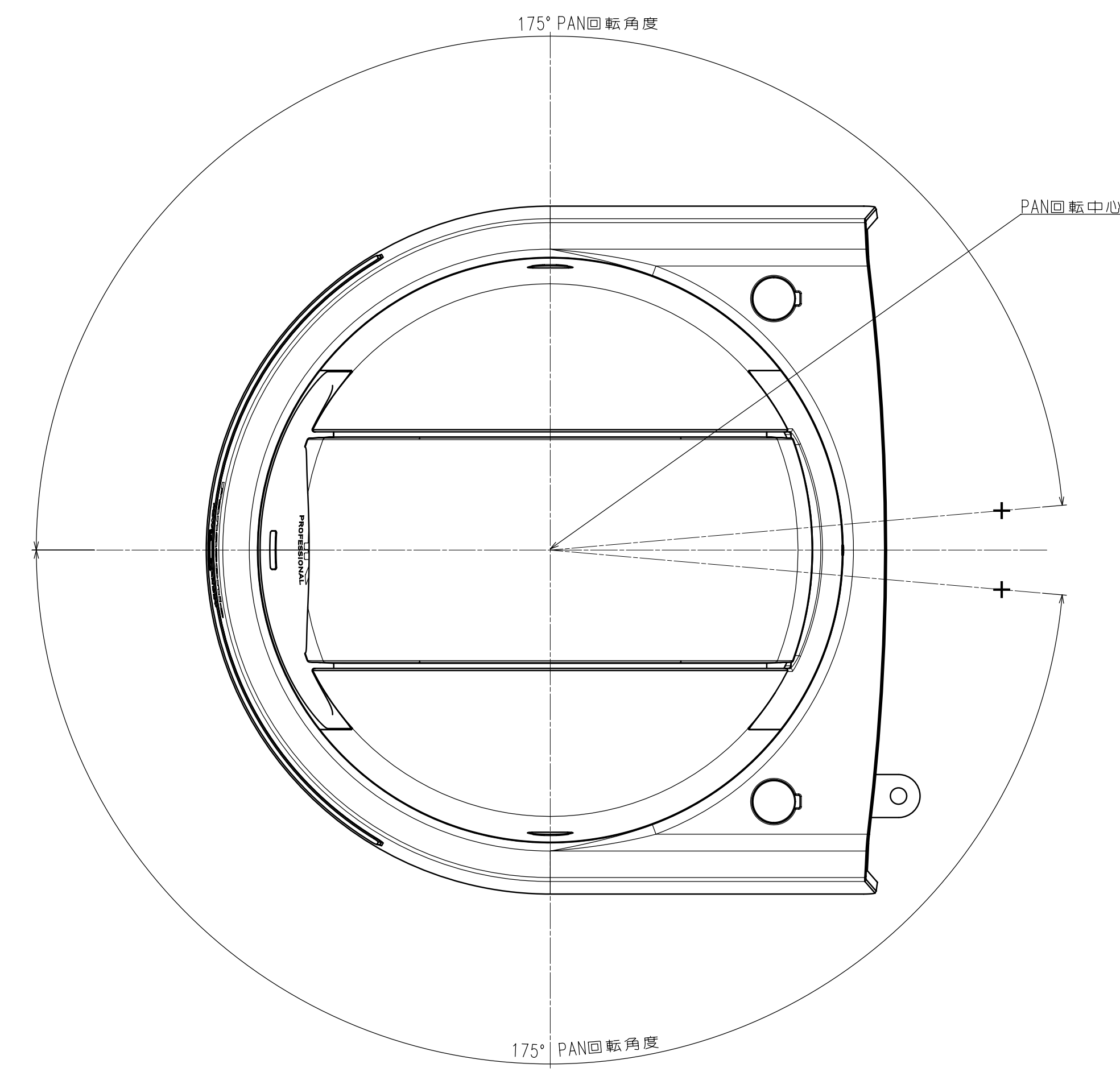
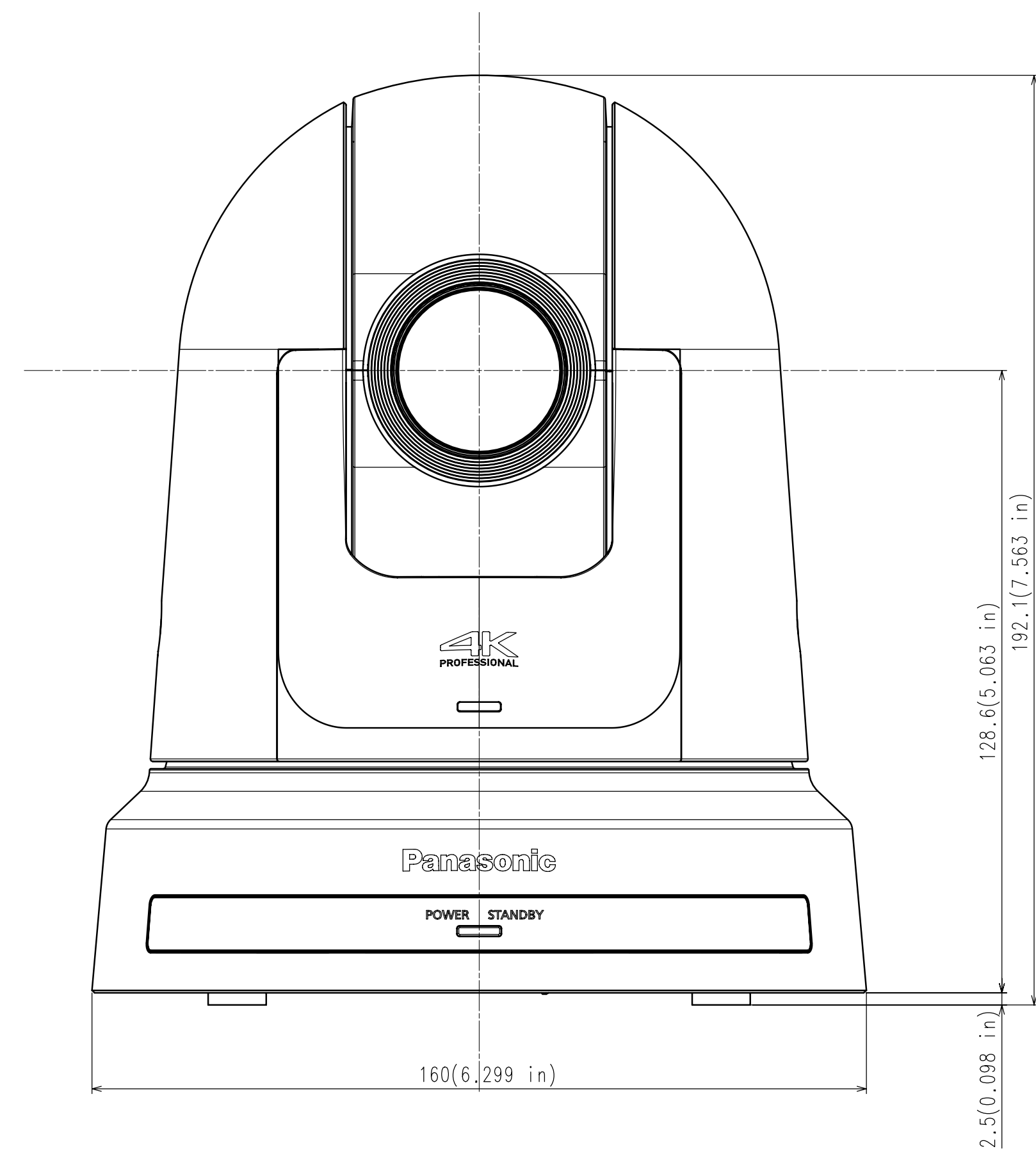


AW-UE30W/K

单位: mm / Unit: mm



CEILING ATTACHMENT PLATE取付寸法

6.65(0.262 in)

Threaded hole  
(Screw diameter: 1/4-20UNC, 1.5016, 3.5mm)  
有効ネジ深さ 7(0.246 in)Max