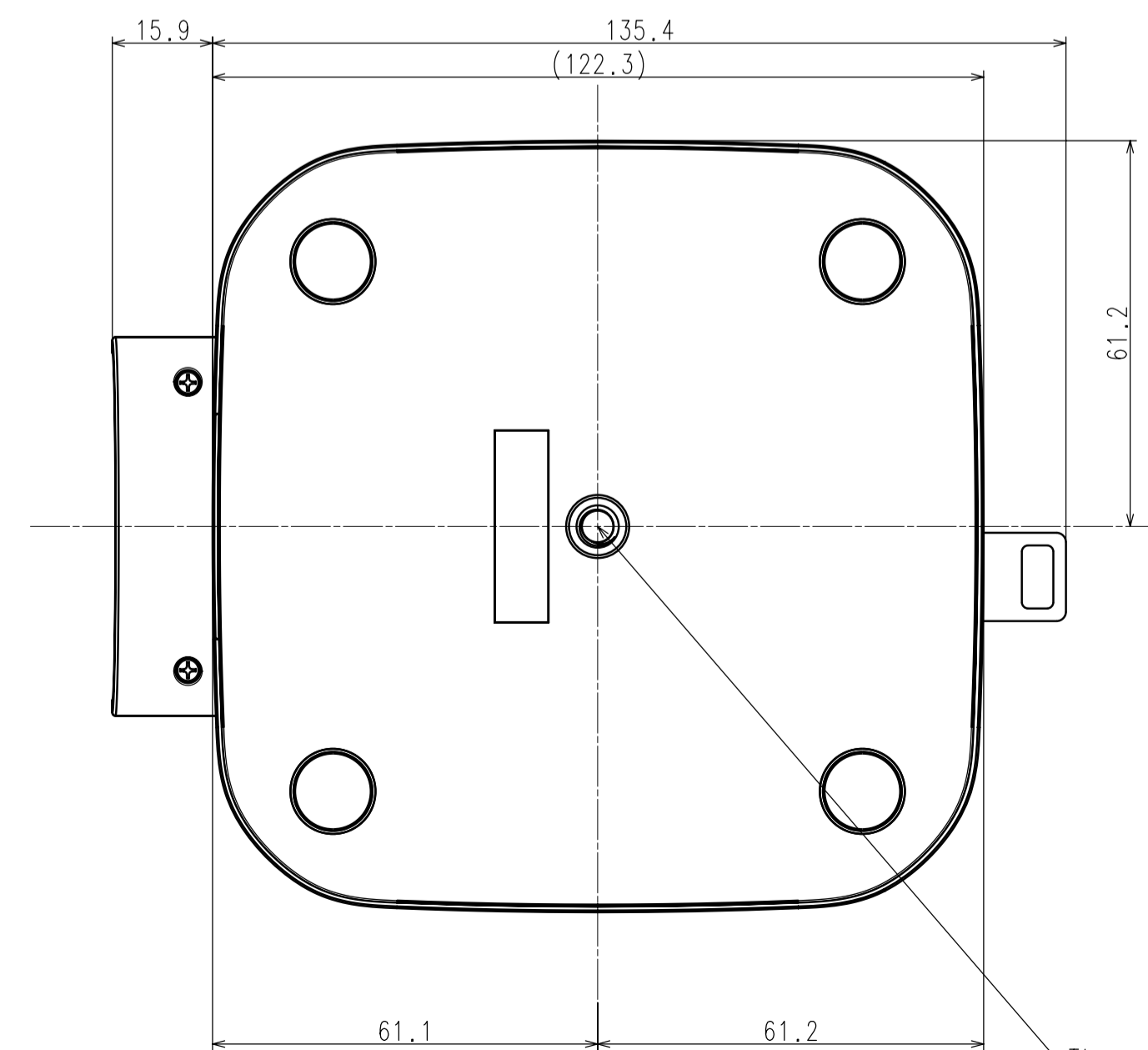
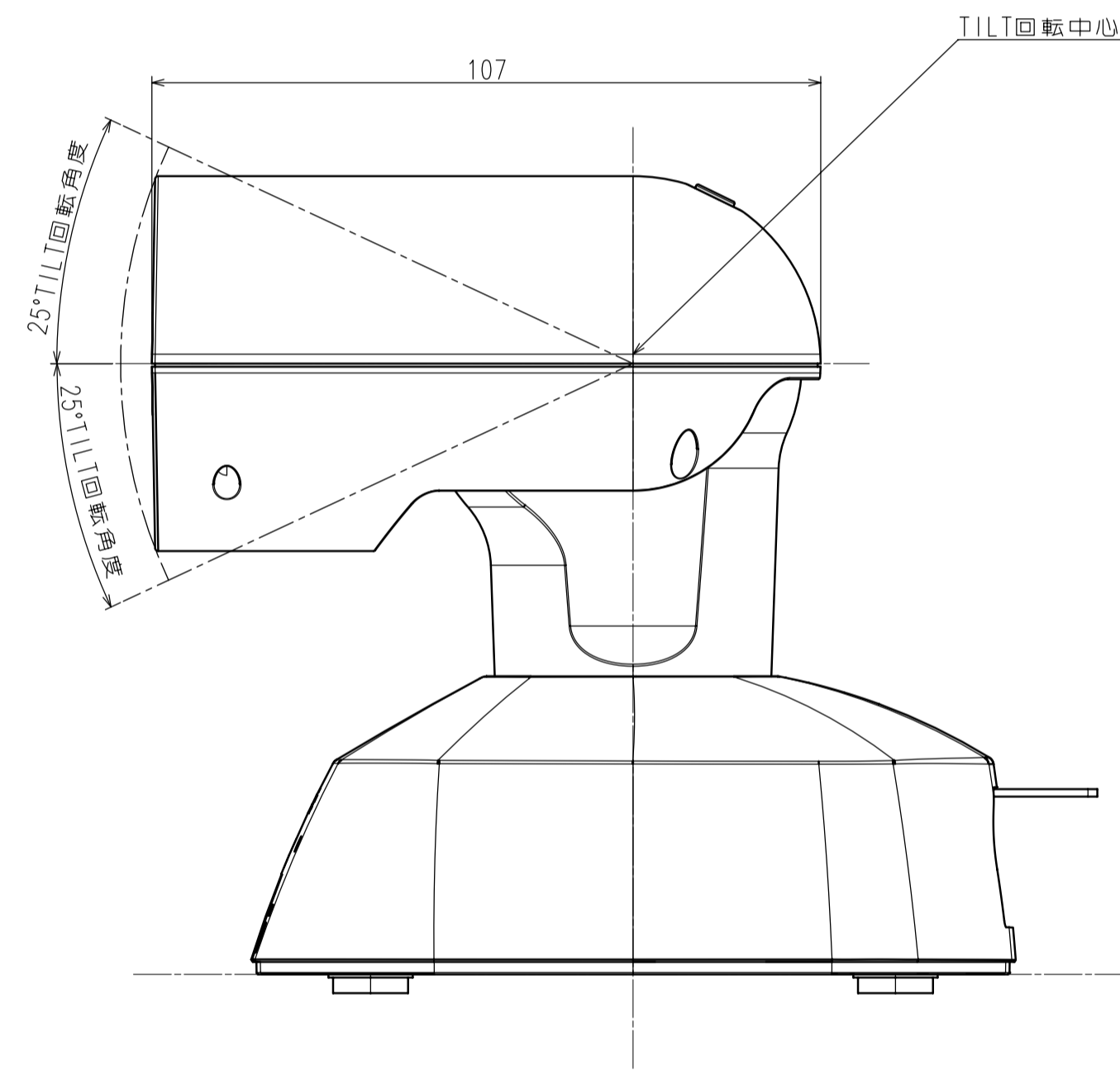
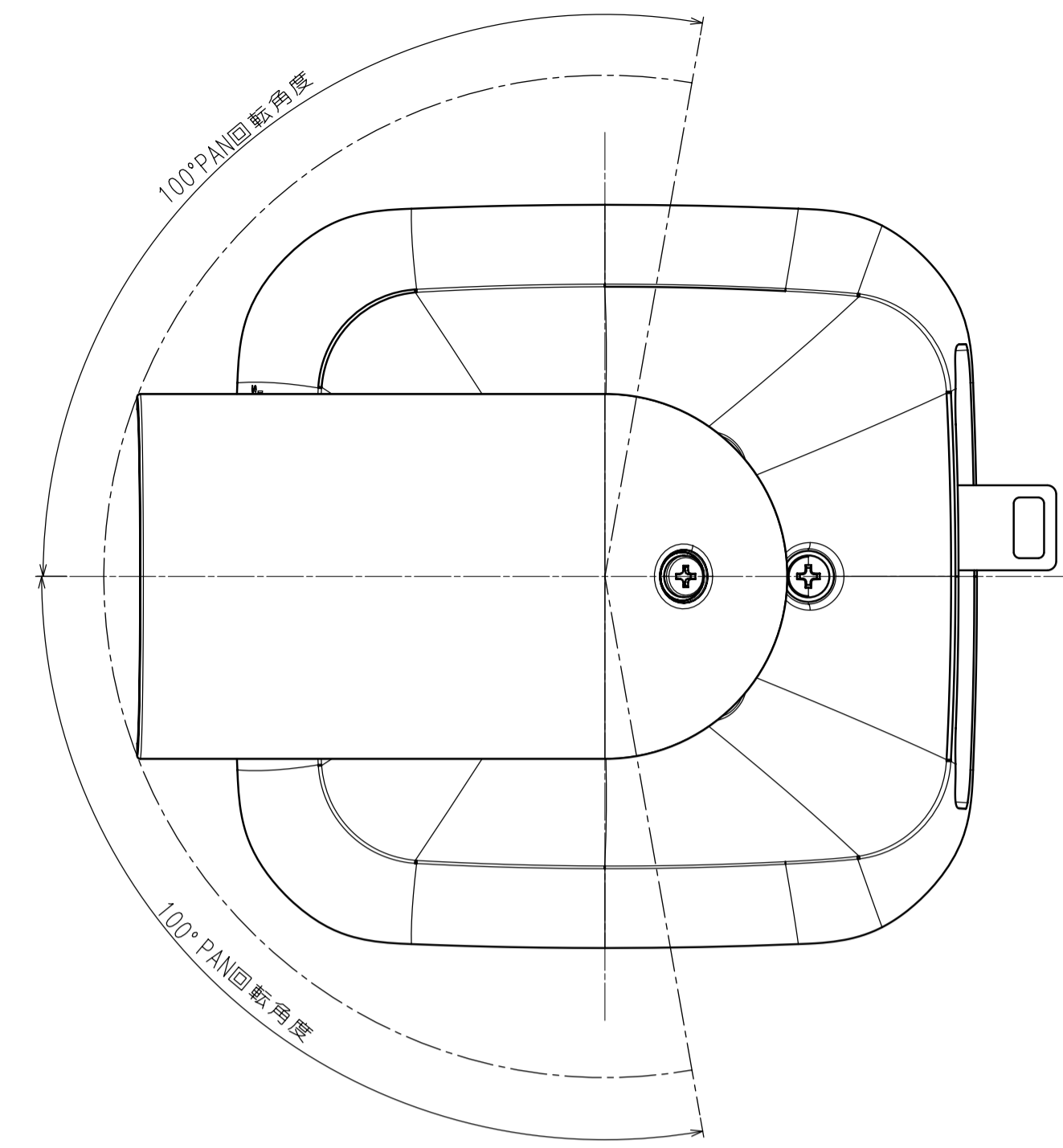
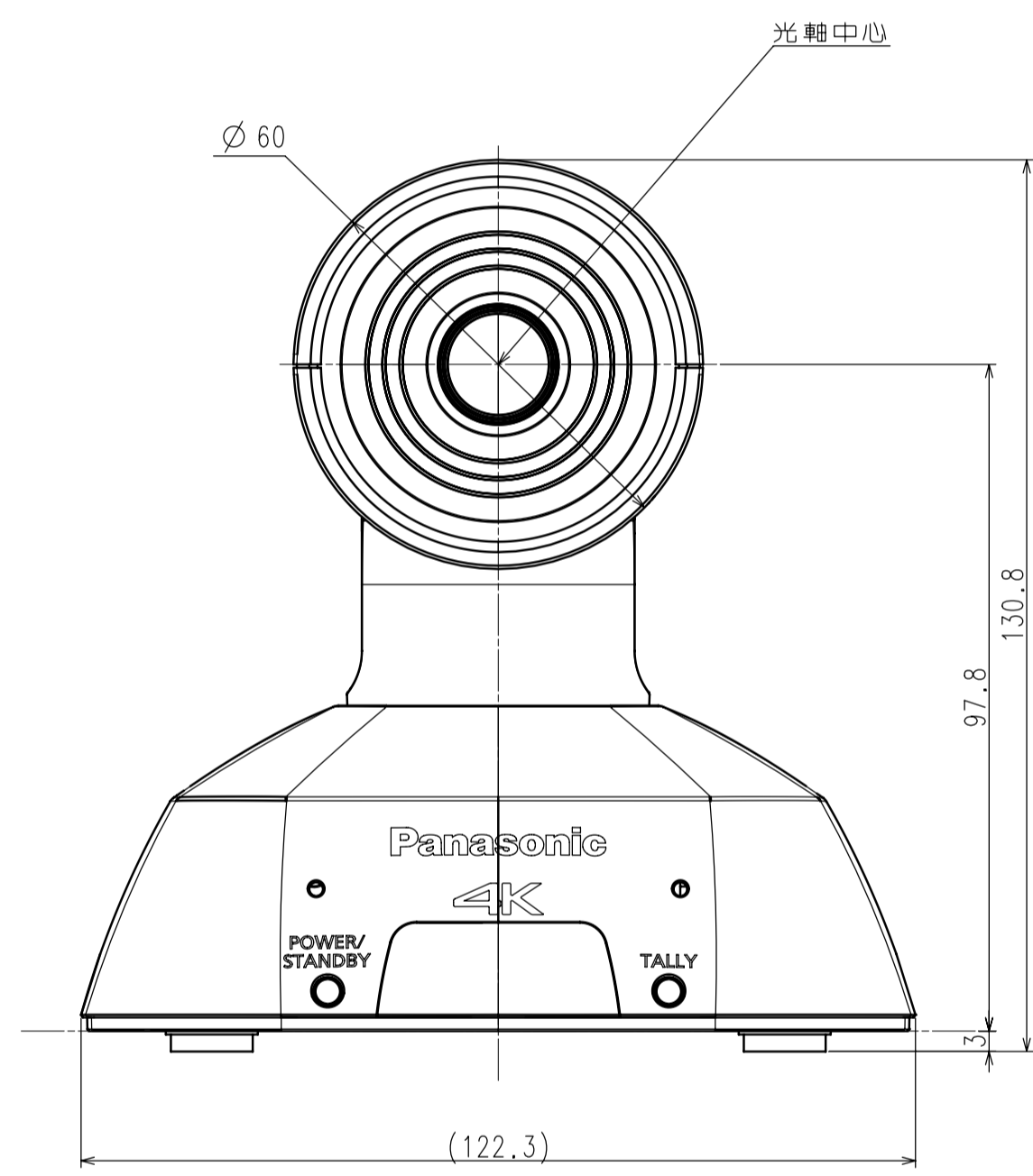


AW-UE5

単位 : mm / Unit : mm



Threaded hole
 (thread: 1/4-20UNC, ISO[6.35mm])
 有効ネジ深さ5.2(Max)

