

Remote Camera System – Specifications & Dimensions

As of April, 2018

AW-HE40SW/SK/HW/HK AW-HN40HW/HK

General	
Power Requirements	DC 12 V (Supplied AC adaptor) DC 42 - 57 V (PoE+ power supply)
Current Consumption	1.2 A (Supplied AC adaptor) 0.4 A (PoE+ power supply)
Ambient Operating Temperature	0 °C to 40 °C (32 °F to 104 °F)
Allowable Humidity Ranges	20 % to 90 % (no condensation)
Storage Temperature	-20 °C to 50 °C (-4 °F to 122 °F)
Mass	Approx. 1.5 kg (3.30 lb)
Dimensions (W x H x D)	160 mm x 186 mm x 166 mm (6-5/16 inches x 7-41/128 inches x 6-17/32 inches) (excluding protrusions, direct ceiling mount bracket)
Finish	AW-HE40HW / AW-HE40SW / AW-HN40HW: Pearl white AW-HE40HK / AW-HE40SK / AW-HN40HK: Metallic black
Controller Supported*1	AW-RP50, AW-RP120G, AK-HRP200G
Camera Unit	
Imaging Sensors	1/2.3-type MOS
Lens	Optical 30x zoom, F1.6 to F4.7(f=4.3 mm (11/64 inches) to 129 mm (5-5/64 inches); 35 mm (1-3/8 inches) equivalent: 31.6 mm (1-31/128 inches) to 962.0 mm (37-7/8 inches)]
Focus	Switching between auto and manual
Focus Distance	Entire zooming range: 1.2 m (3.94 ft) Wide end: 10 cm (0.33 ft)
Color Separation Optical System	On-chip color filter system
Minimum Illumination	59.94 Hz 0.7 lx (50 IRE, F1.6, 48 dB, 1/60 without accumulation) 0.35 lx (50 IRE, F1.6, 48 dB, 1/30 with accumulation [Frame Mix 6 dB])
	50 Hz 0.7 lx (50 IRE, F1.6, 48 dB, 1/50 without accumulation) 0.35 lx (50 IRE, F1.6, 48 dB, 1/25 with accumulation [Frame Mix 6 dB])
Horizontal Resolution	1000 TV lines Typ (Center area)
Gain Selection*2	Auto, 0 dB to 48 dB (3 dB step)
Frame Mix*3	Auto, Off, 6 dB, 12 dB, 18 dB, 24 dB
Electronic Shutter Speed	Full Auto 1/30 to 1/2000[59.94 Hz] 1/25 to 1/2000[50 Hz]
	Auto 1/60 to 1/2000[59.94 Hz] 1/50 to 1/2000[50 Hz]
Manual	1/100, 1/250, 1/500, 1/1000, 1/2000, 1/4000, 1/10000[59.94 Hz]
	1/120, 1/250, 1/500, 1/1000, 1/2000, 1/4000, 1/10000[50 Hz]
Synchro Scan	59.94 Hz to 660.09 Hz (255 steps) 50.00 Hz to 570.12 Hz (255 steps)
Gamma	50 Hz Off, Normal (Low, Mid, High), Cinema
White Balance	ATW, AWB A, AWB B, 3200K, 5600K, VAR (2400K to 9900K)
Chroma Amount Variability	±3 step
Scene File	Full Auto, Manual1, Manual2, Manual3
Color Bars	FULL BAR
Synchronization System	
Synchronization System	Internal synchronization

Input	
Power	DC 12 V IN, PoE+ (IEEE802.3at standard)
MIC/LINE Input	Stereo mini-jack (ø3.5 mm) Input impedance: Approx. 2 kΩ (unbalanced) [Mic input] •Supported microphones: Stereo mic (plug-in power/on/off switching via menu) •Supplied voltage: 2.5 V ± 0.5 V •Mic input level: -60 dBV ± 3 dBV [Line input] •Input level: -10 dBV ± 3 dBV
Output	
Video Output	AW-HE40H AW-HN40HW AW-HN40HK HDMI HDMI connector • HDCP is not supported. • Viera Link is not supported.
	AW-HE40S HD-SDI Compliant with the SMPTE292M standards/75 (BNC x 1)
Input/Output	
Input/Output Connector	LAN LAN connector for IP control (RJ-45), PoE+ Equipped with straight/crossover cable auto detection function
	RS-232C Mini DIN 8-pin (IN) Mini DIN 8-pin (OUT)
	RS-422 CONTROL IN RS422A (RJ-45)
	USB Mini-B port (Used for maintenance)
	SD Card microSD card slot (Used for maintenance)
USB connection * This may vary depending on the operating environment.	
Video output	USB Video Class Ver1.0
Video compression format	Motion JPEG
Resolution	1920 x 1080, 1280 x 720, 640 x 360
Frame rate	max 30 fps (System frequency 59.94 Hz) max 25 fps (System frequency 50 Hz)
Audio output	USB Audio Class Ver1.0
Audio compression format	Linear PCM, 48 kHz, 16-bit, 2 channels
Supported models	Devices standardly equipped with a USB 2.0 compatible port
Pan-tilt Head Unit	
Installation Method	Stand-alone (Desktop) or suspended (Hanging)*4
Pan-tilt Operation Speed	Maximum speed during preset: 300°/s Maximum speed during manual: 90°/s
Panning Range	±175°
Tilting Range*5	-30° to 90**5
Quietness	During preset: NC40 or less During manual: NC35 or less
Camera/Pan-tilt Head Control	• When connecting through a PoE+ hub: LAN cable*6 (category 5e or above), max. 100 m (328 ft) • When a PoE+ hub is not used: LAN cable*6 (category 5 or above) max.100 m (328 ft)
	AW protocol connecting cable • LAN cable*6 (category 5 or above, straight cable), max. 1000 m (3280 ft)
	Standard protocol connecting cable • Mini DIN 8-pin cable, male

SD card recording	
SD card type	micro SDHC (4 GB to 32 GB), micro SDXC (64 GB to 128 GB), Speed class 10 or higher
System frequency	59.94 Hz/50 Hz
Video compression format	MPEG-4 AVC/H.264 High Profile
Audio compression format	AAC-LC (48 kHz, 16 bit, 2 ch, 128 kbps)
Audio output	USB Audio Class Ver1.0
SD card recording	MPEG-4 AVC file standard compliant (.MP4)
Recording format	1920 x 1080/59.94p, 1920 x 1080/50p, 1920 x 1080/29.97p, 1920 x 1080/25p, 1280 x 720/59.94p, 1280 x 720/50p, 1280 x 720/29.97p, 1280 x 720/25p
Network	
Resolution	JPEG VGA (640 x 360), QVGA (320 x 180) max.30 fps 1920 x 1080, 1280 x 720, 640 x 360, 320 x 180 max.30 fps
	H.264 1920 x 1080, 1280 x 720, 640 x 360, 320 x 180 max.60 fps

Supported protocol	
IPv4	TCP/IP, UDP/IP, HTTP, HTTPS, RTSP, RTP, RTCP, FTP, DHCP, DNS, NTP, IGMP, UPnP, ICMP, ARP, RTSPoverTCP, RTSPoverHTTP, SSL(TLS), MultiCast/UniCast
IPv6	TCP/IP, UDP/IP, HTTP, HTTPS, RTSP, RTP, RTCP, FTP, DHCPv6, DNS, NTP, ICMPv6(MLD), RTSPoverTCP, RTSPoverHTTP, SSL(TLS), MultiCast/UniCast
i-OS, Android support	JPEG image display

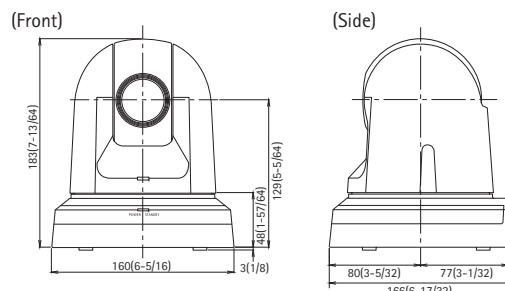
Standard Accessories

Mount bracket for installation surface (Hanging*/ Desktop): 1, Drop-prevention wire mounting screw (already attached to the unit): 1, Bracket mounting screws (bind-head) M4 x 10 mm: 4, Main unit mounting screw (with flat washer, spring washer) M3 x 6 mm: 1, Power cable (1.8 m [5.9 ft]): 1, AC adaptor: 1, CD-ROM

*1: It may be necessary to upgrade the controller of the contraine in order to support the unit. *2: During Auto, 6 dB to 48 dB (6 dB step) are available for AGC Max gain setting. *3: During Auto, 0 dB, 6 dB, 12 dB and 18 dB are available for Auto F.Mix Max gain setting. *4: To ensure safety, the unit must be secured using the mount brackets supplied. *5: Depending on the pan or tilt position, the camera may be reflected in the image. *6: Use of an STP (shielded twisted pair) cable is recommended. *7: To ensure more safety, AW-HE40SW/SK/HW/HK can be secured by using the direct ceiling mount bracket (WW-Q105A).

Dimensions

Unit: mm(inches)



Rear View

AW-HE40SW

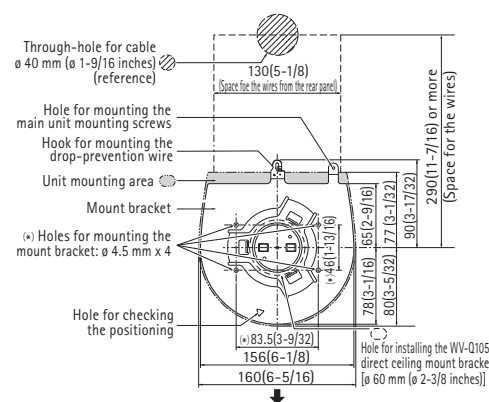


AW-HE40HW / AW-HN40HW



Bottom View

Unit: mm(inches)

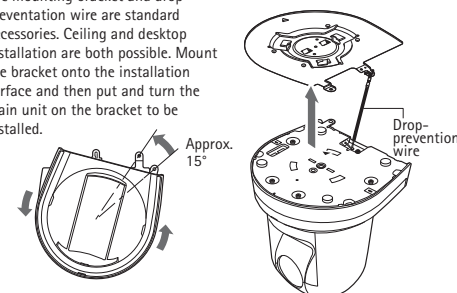


The front panel of the unit on this side.

Ceiling Installation View

Optimal for both hanging and desktop installation.

The mounting bracket and drop-prevention wire are standard accessories. Ceiling and desktop installation are both possible. Mount the bracket onto the installation surface and then put and turn the main unit on the bracket to be installed.



• The mounting bracket for discontinued AW-HE50 and AW-HE60 and current AW-UE70W/K, AW-UN70W/K, AW-HE38HW/HK and AW-HN38HW/HK can also be used.

* Wiring, mounting, and removal must be done by a qualified technician. To ensure safety, consult with the dealer from whom you purchased the system.