

# Ultrawide-angle 95 °\*1 horizontal viewing and Intelligent Zoom A Compact HD camera with built-in microphone convenient for P.O.V. (Point Of View) applications

HD Integrated Camera

## AW-HE2

For indoor use

<b>3.9M</b> MOS	<b>2x</b> iA zoom	<b>4x</b> digital zoom	<b>HD/SD</b>
--------------------	----------------------	---------------------------	--------------

<b>DRS</b>	<b>IP control</b>	<b>IP monitoring</b>
------------	-------------------	----------------------

**HD** 1080/59.94p, 59.94i, 50p, 50i, 720/59.94p, 50p,

**SD** 576/50p, 480/59.94p

\*1 18 mm in 35 mm equivalent



Suspended (Hanging) style

Stand-alone (Desktop) style



Option



### Wireless remote control AW-RM50G

("AA", "R6" or "LR6" battery x 2 are not included.)

### System example

#### HD Camera System

Ideal for use in conference, event capturing, video monitoring and sports

**Key Points**

- Up to 100 x AW-HE2 units can be controlled by AW-RP50 via IP connections through Ethernet hubs.

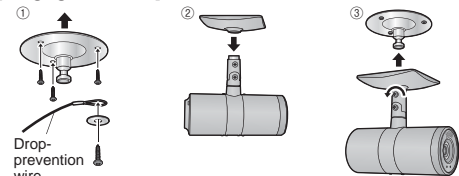
**[Key Products]**

AW-HE2 AW-HE120W/K AW-RP50

**Optimal for both hanging and desktop installation.**

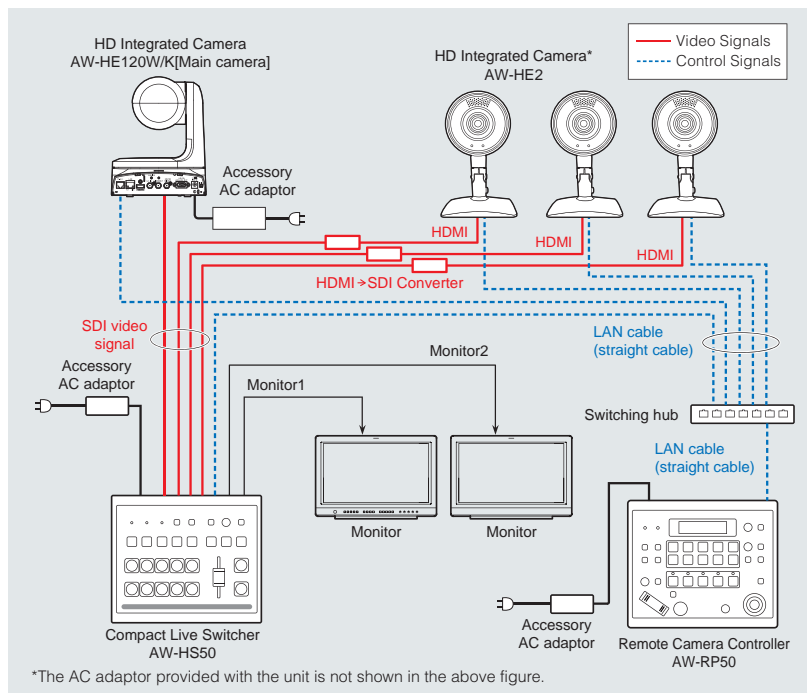
The mounting bracket and drop-prevention wire are standard accessories. Ceiling and desktop installation are both possible. Simply mount the bracket to the installation surface and secure the camera unit to the bracket using the horizontal fixing screws on the camera unit.

**[Hanging installation]**



• Tightening torque: 1.176 N·m (12 kgf·cm)

\* Wiring, mounting, and removal must be done by a qualified technician. To ensure safety, consult with the dealer from whom you purchased the system.



\*The AC adaptor provided with the unit is not shown in the above figure.

## Ultra-compact body integrated with wide-angle lens, microphone, tally lamp and various interfaces

The camera unit is small, but comes equipped with an ultrawide-angle lens, microphone, tally lamp, HDMI and LAN terminals. This model is suitable for P.O.V. (point of view) applications and Internet broadcasting. It can also be used in a variety of other situations. The compact and lightweight body can be installed easily (indoor use) by one person.



## Full-HD MOS, 95 °\*1 ultrawide-angle lens, Intelligent zoom and digital pan-tilt for flexible image acquisition

Featuring a 1/4.37 type (effective size) 3.9 mega pixels MOS sensor and ultrawide-angle lens with 95 °\*1 horizontal viewing angle. The Intelligent Zoom enlarges the picture two times normal size while maintaining high image resolution. When combined with the digital zoom, images can be enlarged up to four times.\*2 This model is suitable for a variety of image acquisition uses ranging from wide-area shooting to telephoto.



Ultra-wide shooting with a 95 ° horizontal viewing angle



High-quality zoom with Super Resolution technology

(Images are simulated.)

\*1 18 mm in 35 mm equivalent.

\*2 Digital zoom increases magnification, but results in degradation of the image quality.

### ● Digital pan/tilt

When zooming, the image area chosen by the AW-RP120G\*3 and AW-RP50\*3 or wireless remote control can be moved within the shooting range.



The image in a frame can be freely moved while maintaining the zoom condition

(Images are simulated.)

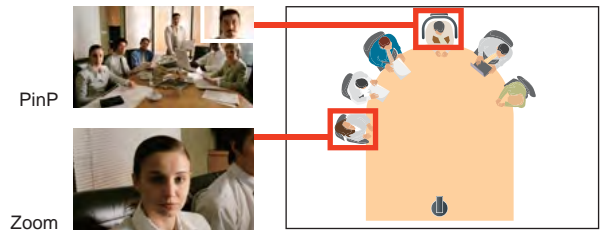
\*3 In case controlling the AW-HE2 from the controller, it is possible to control only functions supported by the AW-HE2.

### ● PinP (Picture in Picture) mode

A specific area can be chosen from the shooting range and displayed. The PinP image position also can be changed and zooming.

### ● Preset memory

The Preset Memory function can store settings such as zoom magnification, brightness, PinP display, etc. (up to 9 settings). Settings can be easily accessed from the AW-RP120G\*3, AW-RP50\*3 or wireless remote control.



(Images are simulated.)

## Supporting IP to simplify connection and setup, and ensures comfortable operation.

### ● IP control for easy connection and setup

IP connection allows control of up to 100 x AW-HE2 units from an AW-RP120G\*3, AW-RP50\*3 or a PC via a switching hub. IP connection also allows one AW-HE2 to be controlled simultaneously from up to five AW-RP120G and AW-RP50 units.

### ● IP image monitoring supported\*4

Features an image compression and IP transmission LSI. The IP image output function allows transmission of images from one camera to one terminal through IP networks. When combined with IP control, the camera can be controlled from a distant location.



Live screen

\*4 For more information, see page 17

## Video/Audio output and power supply via USB\*5

Single USB cable is enough for Video/Audio output and battery charging\*6 with PC.

Combined with various tele-communication software, USB Video/Audio output shows its value in wide range of applications, such as Web conference, distant learning, and remote production.

\*5 When installing additional cameras, it is necessary to upgrade the version if the cameras were manufactured before January 2014. For details, see "Support & Download" on the Panasonic Website (<http://pro-av.panasonic.net/en/>).

\*6 Available only with devices meeting USB battery charging spec standard.

## Other features

### ● Dynamic Range Stretch(DRS)

Minimizes blown highlights and blocked shadows to deliver clear images in a wide range of applications.

### ● Setting camera menus with a PC

Camera menus can be set up via a web browser by connecting the AW-HE2 to a PC.

### ● Wireless remote controller for easy operation (option)

Up to 4 cameras can be controlled by an optional wireless remote controller (AW-RM50G). The basic operations and menu settings can be done by using the wireless remote controller.