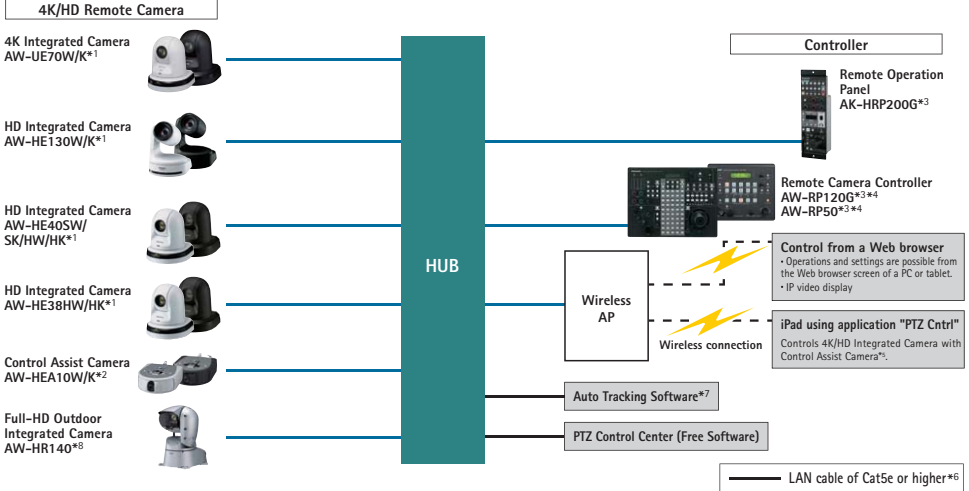


4K / HD Integrated Camera IP / Serial connection diagram

As of April, 2018

IP Connection Diagram



*1: When connected to a hub that supports PoE+, the provided AC adaptor is not required.

*2: When connected to a hub that supports PoE/PoE+, the provided AC adaptor is not required.

*3: AC adaptor AW-PS551 is required for AW-RP120G. Bundled AC adaptor is required for AW-RP50.

*4: The AW-HEA10W/K is not supported. Depending on the camera to be operated, this unit may require a software upgrade. For details, please contact the sales representative.

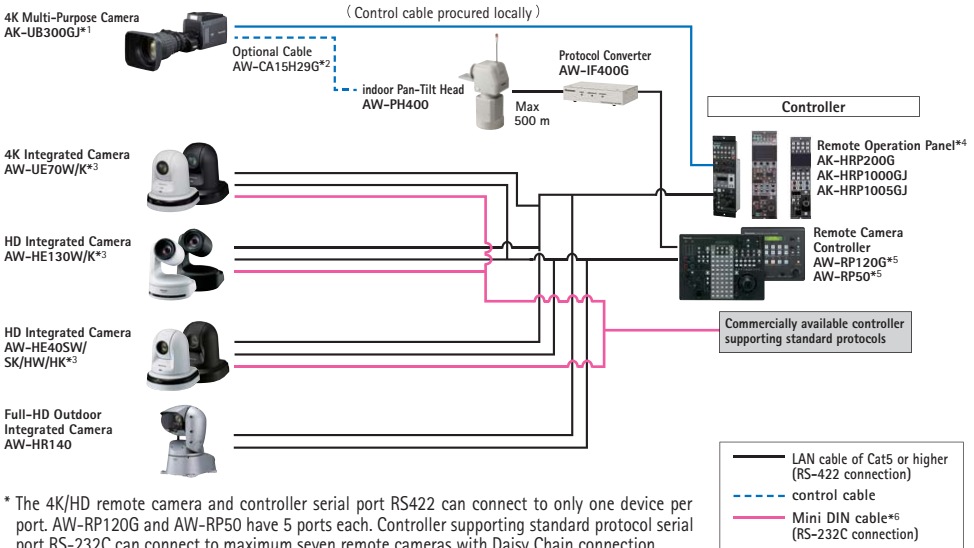
*5: An Apple iPad (sold separately) is required for use.

*6: When connecting AW-HE130W/K directly, please use a crossover cable. When connecting via a hub (switching hub), please use a straight cable.

*7: AW-UE70W/K, AW-UN70W/K, AW-HE130W/K, AW-HN130W/K, AW-HE40 series, AW-HN40HW/HK, AW-HE38HW/HK and AW-HN38HW/HK only.

*8: AW-HR140 PoE++ conforms to IEEE802.3bt (Draft ver. 2.0).

Serial Connection Diagram



* The 4K/HD remote camera and controller serial port RS422 can connect to only one device per port. AW-RP120G and AW-RP50 have 5 ports each. Controller supporting standard protocol serial port RS-232C can connect to maximum seven remote cameras with Daisy Chain connection.

*1: For AK-UB300GJ, please prepare AC adaptors 12 V(DC) with more than 60 W.

*2: AW-CA15H29G is not required when a remote operation panel (ROP) is directly connected to AK-UB300GJ.

*3: Unit cannot be simultaneously controlled with an RS-422 connection and an RS-232C connection.

*4: When using a Remote Operation Panel (ROP), an additional AC adaptor or PoE hub may be required depending on the type of ROP.

*5: AC adaptor AW-PS551 is required for AW-RP120G. Bundled AC adaptor is required for AW-RP50.

*6: There are limitations on the connection methods and the functions that can be controlled. For details, please contact the sales representative.