

Kairos Support Information (検証報告書)

1. Validation product (検証対象機器)

Vender name	Product name	Product Number	Protocol
Ross Video	XPression Prime	XPression Prime	RossTalk

2. Validation environment (検証環境)

Used apparatus (使用機器)

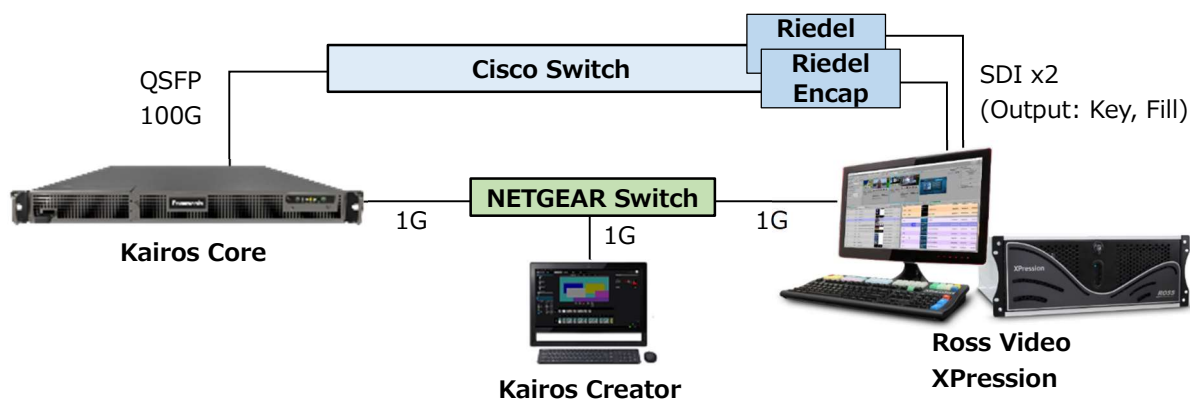
Equipment Name	Model	S/W Version	Remarks
Kairos Core server	AT-KC1000	1.2.3-beta BUILD 15486	
Kairos Creator	Panasonic Let's note	1.2.3-beta BUILD 15486	

XPression Prime	XPression Prime	v10.5 build 5508	
-----------------	-----------------	------------------	--

Network Switch	NETGEAR		1Gbit switch
Network Switch	Cisco		

Riedel GW SFP module	EB22HDRT-LM-0514 Encap		
----------------------	---------------------------	--	--

Block Diagram (構成図)



3. Validation items & results (検証項目 & 検証結果)

Command	Description	Parameter	Test Result
CLFB	Clear a framebuffer	framebuffer	OK
CLFB	clear a layer on a framebuffer	framebuffer, layer	OK
CLRA	clear all framebuffers	(none)	OK
CUE	cue a Take Item	takeid, framebuffer, layer	OK
CUE	cue the focused Take Item	(none)	OK
DOWN	move the current selection down	(none)	OK
FOCUS	Focus	takeid	OK
NEXT	Next	(none)	OK
READ	Read	(none)	OK
RESUME	Resume every layer on a framebuffer	framebuffer	OK
RESUME	Resume a layer on a framebuffer	framebuffer, layer	OK
SEQI	load a template to air	takeid, layer	OK
SEQO	take the template off air	takeid	OK
SWAP	Swap	framebuffer	OK
TAKE	take a template to air	takeid, framebuffer, layer	OK
GPI	trigger a simulated GPI input	gpi num	OK
UP	move the current selection up	(none)	OK