

Kairos Support Information (動作確認結果)

1. Confirmed product (対象機器)

Vender name	Product name	Product Number	Protocol
Tecnopoint	Tuning S	Tuning S	TCP/IP Command HTTP

2. Test environment (動作確認環境)

Used apparatus (使用機器)

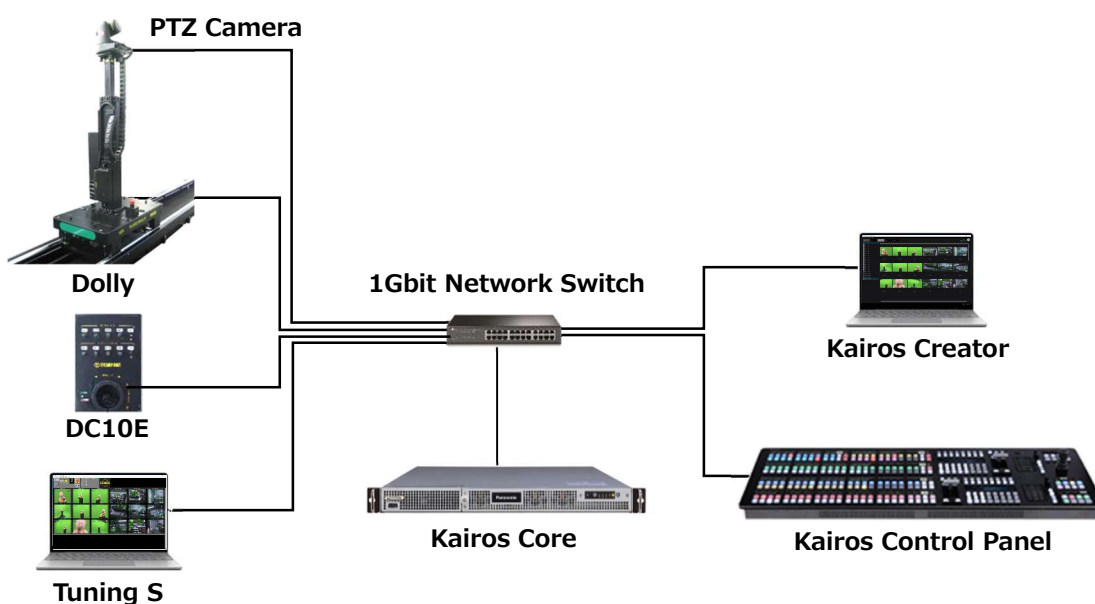
Equipment Name	Model	S/W Version	Remarks
Kairos Core server	AT-KC1000	Ver. 14356	V1.2.2 dev version
Kairos Creator	Panasonic Let's note	Ver. 14356	V1.2.2 dev version
Kairos Control Panel	AT-KC10C1	Ver. 14356	V1.2.2 dev version

Tuning S	Tuning S	Ver. 2.80	PC Application
Tuning DC10E	DC10E	Ver. 1.1.4	Dolly Controller
Tuning WizCAN	W7500-WIZCAN	Ver. 1.2.1	Dolly

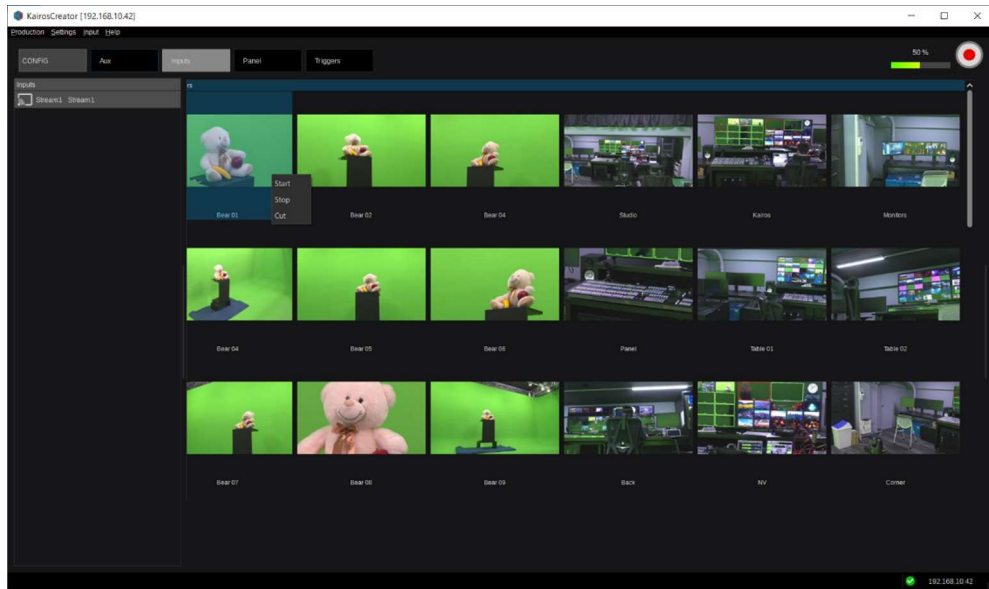
AW-UE150	AW-UE150	-	PTZ Camera
----------	----------	---	------------

1Gbit Network Switch	NETGEAR GS108-400JPS		
----------------------	----------------------	--	--

Test System Diagram (構成図)



Kairos Creator Operation Menu



3. Test items & results (確認項目と結果)

TCP/IP Command	Parameter	Test Result	Note
Global Status Reply		OK (Creator/Control Panel show status)	(*1)
START	Preset Number	OK (Operation from Creator/Control Panel)	
STOP	Preset Number	OK (Operation from Creator/Control Panel)	
CUT	Preset Number	OK (Operation from Creator/Control Panel)	

HTTP	Parameter	Test Result	Note
Get Thumbnail Image	Thumbnail Name	OK (Creator)	(*1)

(*1) Test confirmed up to 350 presets (thumbnails).

The information on the pages shows test results under specific environment only. The related operations and test results might be changed and are not guaranteed.

注意：掲載される動作確認情報はテスト実施時点での内容であり、すべての環境で動作を保証するものではありません。