

Panasonic®

Operating Instructions

Memory Card Camera-Recorder

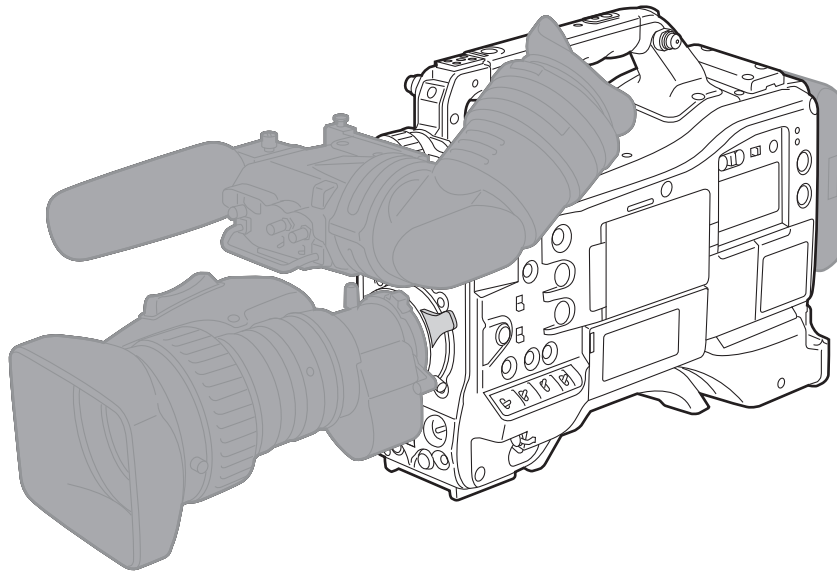
Model No. **AJ-CX4000G**

express

P2

micro

P2



AVCULTRA

HDMI™

**SD™ V90
XC II**

Before using this product, be sure to read "Read this first!" (pages 2 to 7).

Before operating this product, please read the instructions carefully and save this manual for future use.

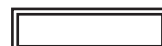
GJ

W1219HO1040 -YI

ENGLISH

DVQP2127YA

Read this first!



indicates safety information.

WARNING:

- To reduce the risk of fire, do not expose this equipment to rain or moisture.
- To reduce the risk of fire, keep this equipment away from all liquids. Use and store only in locations which are not exposed to the risk of dripping or splashing liquids, and do not place any liquid containers on top of the equipment.

WARNING:

Always keep memory cards (optional accessory) out of the reach of babies and small children.

CAUTION:

Do not remove panel covers by unscrewing.
No user serviceable parts inside.
Refer servicing to qualified service personnel.

CAUTION:

To reduce the risk of fire and annoying interference, use the recommended accessories only.

CAUTION:

In order to maintain adequate ventilation, do not install or place this unit in a bookcase, built-in cabinet or any other confined space. To prevent risk of fire hazard due to overheating, ensure that curtains and any other materials do not obstruct the ventilation.

CAUTION:

Do not lift the unit by its handle while the tripod is attached. When the tripod is attached, its weight will also affect the unit's handle, possibly causing the handle to break and hurting the user. To carry the unit while the tripod is attached, take hold of the tripod.

CAUTION:

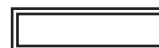
Excessive sound pressure from earphones and headphones can cause hearing loss.

CAUTION:

Do not leave the unit in direct contact with the skin for long periods of time when in use.
Low temperature burn injuries may be suffered if the high temperature parts of this unit are in direct contact with the skin for long periods of time.
When using the equipment for long periods of time, make use of the tripod.

CAUTION:

A coin type battery is installed inside of the unit.
Do not store the unit in temperatures over 60 °C (140 °F).
Do not leave the unit in an automobile exposed to direct sunlight for a long period of time with doors and windows closed.



FCC NOTICE (USA)

Supplier's Declaration of Conformity

Trade Name: Panasonic
Model Number: AJ-CX4000G
Responsible Party: Panasonic Corporation of North America
Two Riverfront Plaza Newark NJ07102
Support contact: 1-800-524-1448

This device complies with Part 15 of the FCC Rules. Operation is subject to the following two conditions:
(1) This device may not cause harmful interference, and (2) this device must accept any interference received, including interference that may cause undesired operation.

FCC Warning:

To assure continued FCC emission limit compliance, follow the attached installation instructions and the user must use only shielded interface cables when connecting to host computer or peripheral devices. Also, any unauthorized changes or modifications to this equipment could void the user's authority to operate this device.

FCC Caution:

This equipment has been tested and found to comply with the limits for a Class B digital device, pursuant to Part 15 of the FCC Rules. These limits are designed to provide reasonable protection against harmful interference in a residential installation. This equipment generates, uses and can radiate radio frequency energy and, if not installed and used in accordance with the instructions, may cause harmful interference to radio communications. However, there is no guarantee that interference will not occur in a particular installation. If this equipment does cause harmful interference to radio or television reception, which can be determined by turning the equipment off and on, the user is encouraged to try to correct the interference by one or more of the following measures:

- Reorient or relocate the receiving antenna.
- Increase the separation between the equipment and receiver.
- Connect the equipment into an outlet on a circuit different from that to which the receiver is connected.
- Consult the dealer or an experienced radio/TV technician for help. The user may find the booklet "Something About Interference" available from FCC local regional offices helpful.

NOTIFICATION (Canada)

CAN ICES-3(B)/NMB-3(B)

AEEE Yönetmeliğine Uygundur.
AEEE Complies with Directive of Turkey.

Manufactured by: Panasonic Corporation, Osaka, Japan
Importer's name and address of pursuant to EU rules:
Panasonic Marketing Europe GmbH
Panasonic Testing Centre
Winsbergring 15, 22525 Hamburg, Germany

English**Declaration of Conformity (DoC)**

Hereby, "Panasonic Corporation" declares that this product is in compliance with the essential requirements and other relevant provisions of Directive 2014/53/EU.

Customers can download a copy of the original DoC to our RE products from our DoC server:

<http://www.doc.panasonic.de>

Contact to Authorized Representative:

Panasonic Marketing Europe GmbH, Panasonic Testing Centre, Winsbergring 15, 22525 Hamburg, Germany

Български**Декларация за съответствие (DoC)**

С настоящото "Panasonic Corporation" декларира, че този продукт е в съответствие с основните изисквания и други съответни разпоредби на Директива 2014/53/ЕС.

Клиентите могат да изтеглят копие от оригиналната DoC за нашите RE от нашия DoC сървър:

<http://www.doc.panasonic.de>

Свържете се с нашия упълномощен представител:

Panasonic Marketing Europe GmbH, Panasonic Testing Centre, Winsbergring 15, 22525 Hamburg, Германия

Hrvatski**Izjava o sukladnosti (DoC)**

Ovime, tvrtka "Panasonic Corporation" izjavljuje da ovaj proizvod udovoljava osnovnim zahtjevima i ostalim relevantnim odredbama Direktive 2014/53/EU.

Kupci mogu preuzeti kopiju originalne DoC za naše RE proizvode s našeg DoC poslužitelja:

<http://www.doc.panasonic.de>

Obratite se ovlaštenom predstavniku:

Panasonic Marketing Europe GmbH, Panasonic Testing Centre, Winsbergring 15, 22525 Hamburg, Njemačka

Suomi**Vaatimustenmukaisuusvakuutus (DoC)**

Täten "Panasonic Corporation" vakuuttaa, että tämä tuote on direktiivin 2014/53/EU keskeisten vaatimusten ja muiden olennaisten määräysten mukainen.

Asiakkaat voivat ladata kopion alkuperäisestä DoC:sta kaikille REtuotteillemme DoC-palvelimeltamme:

<http://www.doc.panasonic.de>

Valtuutetun edustajan yhteystiedot:

Panasonic Marketing Europe GmbH, Panasonic Testing Centre, Winsbergring 15, 22525 Hamburg, Saksa

Lietuviškai**Atitikties deklaracija (DoC)**

Bendrovė "Panasonic Corporation" patvirtina, kad šis gaminys atitinka direktyvos 2014/53/ EB esminius reikalavimus ir kitas taikytinas nuostatas.

Mūsų RE originalios DoC kopiją klientai gali atsisiųsti iš mūsų DoC serverio:

<http://www.doc.panasonic.de>

Įgaliotojo atstovo adresas:

Panasonic Marketing Europe GmbH, Panasonic Testing Centre,

Winsbergring 15, 22525 Hamburg, Vokietija

Česky**Prohlášení o shodě (DoC)**

Společnost "Panasonic Corporation" tímto prohlašuje, že tento výrobek je ve shodě se základními požadavky a dalšími příslušnými ustanoveními směrnice 2014/53/EU.

Zákazníci si mohou stáhnout originál DoC pro naše produkty RE z našeho serveru DoC:

<http://www.doc.panasonic.de>

Kontakt na Autorizovaného obchodního zástupce:

Panasonic Marketing Europe GmbH, Panasonic Testing Centre,

Winsbergring 15, 22525 Hamburg, Německo

Dansk**Overensstemmelseserklæring (DoC)**

Hermed erklærer "Panasonic Corporation", at dette produkt opfylder de væsentligste krav og andre relevante bestemmelser fastsat i direktiv 2014/53/EU.

Kunder kan downloade en kopi af det originale DoC for vores REprodukter fra vores Doc-server:

<http://www.doc.panasonic.de>

Kontakt til autoriseret repræsentant:

Panasonic Marketing Europe GmbH, Panasonic Testing Centre, Winsbergring 15, 22525 Hamburg, Tyskland

Nederlands**Verklaring van Conformiteit (DoC)**

Bij dezen verklaart "Panasonic Corporation" dat dit product in overeenstemming is met de essentiële vereisten en andere relevante uiteenzettingen van Richtlijn 2014/53/EU.

Klanten kunnen een kopie downloaden van het originele DoC bij onze RE producten vanaf onze DoC server:

<http://www.doc.panasonic.de>

Neem contact op met de bevoegde vertegenwoordiger:

Panasonic Marketing Europe GmbH, Panasonic Testing Centre, Winsbergring 15, 22525 Hamburg, Duitsland

Norsk**Samsvarserklæring (DoC)**

"Panasonic Corporation" erklærer herved at dette produktet samsvarer med de grunnleggende kravene og andre relevante bestemmelser i direktivet 2014/53/EU.

Kundene kan laste ned en kopi av original DoC for våre REprodukter fra vår DoC-server:

<http://www.doc.panasonic.de>

Kontaktinformasjon autorisert representant:

Panasonic Marketing Europe GmbH, Panasonic Testing Centre, Winsbergring 15, 22525 Hamburg, Tyskland

Eesti**Vastavusdeklaratsioon (DoC)**

Käesolevaga kinnitab "Panasonic Corporation", et see toode vastab direktiivi 2014/53/EL olulistele nõuetele ja teistele asjakohastele sätetele.

Kliendid saavad originaalse DoC meie RE-toodetele alla laadida meie DoC serverist:

<http://www.doc.panasonic.de>

Võtke ühendust volitatud esindajaga:

Panasonic Marketing Europe GmbH, Panasonic Testing Centre, Winsbergring 15, 22525 Hamburg, Saksamaa

Magyar**Megfelelőségi nyilatkozat (DoC)**

A "Panasonic Corporation" ezennel kijelenti, hogy ez a termék megfelel a 2014/53/EU irányelv lényeges követelményeinek és egyéb vonatkozó rendelkezéseinek. A vásárlók az alábbi címen elérhető DoC szerverünkről töltheti le az RE termékeinkhez tartozó eredeti DoC másolatát:

<http://www.doc.panasonic.de>

A hivatalos képviselő elérhetősége:

Panasonic Marketing Europe GmbH, Panasonic Testing Centre, Winsbergring 15, 22525 Hamburg, Németország

Ελληνικά**Δήλωση Συμμόρφωσης (DoC)**

Η "Panasonic Corporation" δηλώνει ότι το προϊόν αυτό είναι συμμορφωμένο προς τις βασικές απαιτήσεις και άλλες σχετικές διατάξεις της Οδηγίας 2014/53/ΕΕ.

Ο πελάτες μπορούν να κατεβάσουν ένα αντίγραφο του πρωτοτύπου DoC σχετικό με τα προϊόντα μας RE (ραδιοεξοπλισμός) από το δικό μας σέρβερ DoC:

<http://www.doc.panasonic.de>

Επικοινωνήστε με τον Εξουσιοδοτημένο Αντιπροσωπώ μας:

Panasonic Marketing Europe GmbH, Panasonic Testing Centre, Winsbergring 15, 22525 Hamburg, Γερμανία

Polski**Deklaracja zgodności (DoC)**

"Panasonic Corporation" niniejszym oświadcza, że ten produkt jest zgodny z zasadniczymi wymogami oraz innymi właściwymi postanowieniami Dyrektywy 2014/53/UE.

Kopię oryginalnej DoC obejmującej nasz RE klienci mogą pobrać z naszego serwera DoC:

<http://www.doc.panasonic.de>

Kontakt z autoryzowanym przedstawicielem:

Panasonic Marketing Europe GmbH, Panasonic Testing Centre, Winsbergring 15, 22525 Hamburg, Niemcy

Português**Declaração de Conformidade (DoC)**

Com o presente documento, a "Panasonic Corporation" declara que este produto se encontra em conformidade com os requisitos específicos e demais especificações referentes à Diretiva 2014/53/UE.

Os clientes podem descarregar uma cópia da DoC original para os nossos produtos RE a partir do nosso servidor DoC:

<http://www.doc.panasonic.de>

Contacto com um Representante Autorizado:

Panasonic Marketing Europe GmbH, Panasonic Testing Centre, Winsbergring 15, 22525 Hamburg, Alemanha

Latviski**Atbilstības deklarācija (DoC)**

Ar šo "Panasonic Corporation" paziņo, ka šis izstrādājums atbilst pamatprasībām un pārējiem Direktīvas 2014/53/ES noteikumiem.

Originālās DoC kopiju klienti var lejupielādēt pie mūsu RE produktiem no mūsu DoC servera:

<http://www.doc.panasonic.de>

Lūdzam sazināties ar pilnvaroto parstāvi:

Panasonic Marketing Europe GmbH, Panasonic Testing Centre, Winsbergring 15, 22525 Hamburg, Vācijā

Română**Declarație de Conformitate (DoC)**

"Panasonic Corporation" declară prin prezenta că acest produs este conform cu cerințele esențiale și alte prevederi relevante ale Directivei 2014/53/UE.

Clienții pot descărca o copie a DoC pentru produsele noastre RE de pe serverul nostru DoC:

<http://www.doc.panasonic.de>

Contactați Reprezentantul Autorizat:

Panasonic Marketing Europe GmbH, Panasonic Testing Centre, Winsbergring 15, 22525 Hamburg, Germania

Svenska**Försäkran om Överensstämmelse (DoC)**

Härmed garanterar "Panasonic Corporation" att denna produkt överensstämmer med tillämpbara krav och andra föreskrifter i enlighet med direktiv 2014/53/EU.

Kunder kan hämta en kopia av den ursprungliga DoC för våra RE-produkter från vår DoC-server:

<http://www.doc.panasonic.de>

Kontakt till Auktoriserad Representant:

Panasonic Marketing Europe GmbH, Panasonic Testing Centre, Winsbergring 15, 22525 Hamburg, Tyskland

Slovensky**Vyhlasenie o zhode (DoC)**

"Panasonic Corporation" týmto vyhlasuje, že tento výrobok je v súlade so základnými požiadavkami a ďalšími príslušnými ustanoveniami smernice 2014/53/EU.

Zákazníci si môžu prevziať kópiu pôvodného dokumentu DoC pre naše výrobky RE z nášho servera DoC:

<http://www.doc.panasonic.de>

Kontakt na splnomocneného zástupcu:

Panasonic Marketing Europe GmbH, Panasonic Testing Centre, Winsbergring 15, 22525 Hamburg, Nemecko

Slovenščina**Izjava o skladnosti (DoC)**

"Panasonic Corporation" s tem dokumentom izjavlja, da je izdelek v skladu z bistvenimi zahtevami in drugimi pomembnimi določbami Direktive 2014/53/EU.

Stranke lahko prenesejo kopijo izvirnega dokumenta DoC za izdelke RE z našega strežnika DoC:

<http://www.doc.panasonic.de>

Naslov pooblaščenega predstavnika:

Panasonic Marketing Europe GmbH, Panasonic Testing Centre, Winsbergring 15, 22525 Hamburg, Nemčija

Türkçe**Uygunluk Beyanı (DoC)**

"Panasonic Corporation" işbu belge ile bu ürünün 2014/53/EU sayılı Direktif'in temel gereklerine ve diğer ilgili hükümlerine uygun olduğunu beyan etmektedir.

Müşterilerimiz RE ürünlerimizle ilgili orijinal DoC belgesinin bir kopyasını DoC sunucumuzdan indirebilir:

<http://www.doc.panasonic.de>

Yetkili Temsilci ile temasa geçin:

Panasonic Marketing Europe GmbH, Panasonic Testing Centre, Winsbergring 15, 22525 Hamburg, Almanya

Disposal of Old Equipment and Batteries

Only for European Union and countries with recycling systems



These symbols on the products, packaging, and/or accompanying documents mean that used electrical and electronic products and batteries must not be mixed with general household waste. For proper treatment, recovery and recycling of old products and used batteries, please take them to applicable collection points in accordance with your national legislation.



By disposing of them correctly, you will help to save valuable resources and prevent any potential negative effects on human health and the environment.

For more information about collection and recycling, please contact your local authority, dealer or supplier.

Penalties may be applicable for incorrect disposal of this waste, in accordance with national legislation.

EU



Note for the battery symbol (bottom symbol):

This symbol might be used in combination with a chemical symbol. In this case it complies with the requirement set by the Directive for the chemical involved.

TO REMOVE BATTERY

Main Power Battery (Ni-Cd / Ni-MH / Li-ion Battery)

- To detach the battery, please proceed in the reverse order of the installation method described in this manual.
- If a battery made by any other manufacturer is to be used, check the Operating Instructions accompanying the battery.

Back-up Battery (Lithium Battery)

- For the removal of the battery for disposal at the end of its service life, please consult your dealer.

Battery recycling symbol (valid only in Taiwan)

臺灣限定的廢電池回收標識。



廢電池請回收

ІНФОРМАЦІЯ ПРО ПІДТВЕРДЖЕННЯ ВІДПОВІДНОСТІ ПРОДУКТУ

Виробник:	Panasonic Corporation	Панасонік Корпорейшн
Адреса виробника:	Kadoma, Osaka, Japan	Кадома, Осака, Японія
Країна походження:	Japan/China	Японія/Китай

Уповноважений Представник:	ТОВ "ПАНАСОНІК УКРАЇНА ЛТД"
Адреса Уповноваженого Представника:	провулок Охтирський, будинок 7, місто Київ, 03022, Україна

Примітки:

Термін служби виробу	7 років
----------------------	---------

Дату виготовлення можна визначити за комбінацією букв і цифр серійного номера, що розташований на маркувальній табличці виробу.

Приклад:

X X XXXXXXX

Рік: остання цифра року (5 – 2015, 6 – 2016, ... 0 – 2020)
Місяць: А – Січень, В – Лютий... L – Грудень

Декларація про відповідність

Справжнім компанія Panasonic Corporation заявляє, що професійні відеокамери AJ-CX4000 відповідають Технічному регламенту радіобладнання.

Повний текст декларації про відповідність доступний на веб- сайті

<https://service.panasonic.ua> (розділ «Технічне регулювання»)

Частота: 1575,42 МГц (GPS)

Максимальна потужність передачі: N / A

< Предупреждение >

Следуйте нижеприведённым правилам, если иное не указано в других документах.

1. Устанавливайте прибор на твёрдой плоской поверхности, за исключением отсоединяемых или несъёмных частей.
2. Хранить в сухом, закрытом помещении.
3. Во время транспортировки не бросать, не подвергать излишней вибрации или ударам о другие предметы.
4. Утилизировать в соответствии с национальным и/или местным законодательством.

Правила и условия реализации не установлены изготовителем и должны соответствовать национальному и/или местному законодательству страны реализации товара.

■ The symbols on this product (including the accessories) represent the following.

==	DC
I	ON
⏻	Standby (OFF)

Trademark

- SDXC logo is a trademark of SD-3C, LLC.
- The terms HDMI and HDMI High-Definition Multimedia Interface, and the HDMI Logo are trademarks or registered trademarks of HDMI Licensing Administrator, Inc. in the United States and other countries.
- Microsoft® and Windows® are registered trademarks or trademarks of Microsoft Corporation in the United States and/or other countries.
- Screenshots are used according to Microsoft Corporation guidelines.
- Intel®, Pentium®, Celeron®, and Intel® Core™ are trademarks of Intel Corporation in the United States and/or other countries.
- Mac and Mac OS are trademarks of Apple Inc. registered in the United States and/or other countries.
- iPhone/iPad are trademarks of Apple Inc. registered in the United States and/or other countries.
- App Store is a service mark of Apple Inc.
- Android and Google Play are trademarks or registered trademarks of Google LLC.
- Wi-Fi® is a registered trademark of Wi-Fi Alliance®.
- WPA™ and WPA2™ are trademark of Wi-Fi Alliance®.
- ND!® is a registered trademark of NewTek, Inc.
- MMC (Multi Media Card) is a registered trademark of Infineon Technologies AG.
- Java and all Java-based trademarks are trademarks or registered trademarks of Sun Microsystems, Inc. in the United States.
- UniSlot is a registered trademark of Ikegami Tsushinki CO., LTD.
- The use of DCF Technologies is under license from Multi-Format, Inc.
- All other names, company names, product names, etc., contained in this instruction manual are trademarks or registered trademarks of their respective owners.

License

- This product is licensed under the AVC Patent Portfolio License. All other acts are not licensed except private use for personal and non-profit purposes such as what are described below.
 - To record video in compliance with the AVC standard (AVC Video)
 - To play back AVC Video that was recorded by a consumer engaged in a personal and non-commercial activity
 - To play back AVC Video that was obtained from a video provider licensed to provide the videoVisit the MPEG LA, LLC website (<http://www.mpegla.com/>) for details.
- Separate license contract with MPEG-LA is required to record in a memory card with this product and to distribute that card to end users for a profit. The end user mentioned here indicates a person or organization that handles contents for a personal use.

Software information about this product

- 1 This product includes software licensed under GNU General Public License (GPL) and GNU Lesser General Public License (LGPL), and customers are hereby notified that they have rights to obtain, re-engineer, and redistribute the source code of these software.**
- 2 This product includes software licensed under MIT-License.**
- 3 This product includes software developed by the OpenSSL Project for use in the OpenSSL Toolkit (<http://www.openssl.org/>).**
- 4 This product includes software licensed under OpenBSD License.**
- 5 This product includes PHP, freely available from <<http://www.php.net/>>.**
- 6 This software is based in part on the work of the Independent JPEG Group.**
- 7 This product includes software licensed under the MOZILLA PUBLIC LICENSE.**

For details on each license, refer to the terms of license.

The terms of license can be displayed using the following method.

- Select the [OTHERS] menu → [USB DEVICE] → [SERVICE MODE] → [YES].

Select "LICENSE.TXT" in the external drive recognized by the computer.

For details on these descriptions (originally provided in English) and how to obtain the source code, visit the following website.

<https://pro-av.panasonic.net/>

We do not accept inquiries about the details of the source code obtained by the customer.

Excluding the open source software licensed based on GPL/LGPL, etc., transferring, copying, reverse assembling, reverse compiling, and reverse engineering of the software included in the camera is prohibited. Also, exporting of any software included in the camera against the export laws and regulations is prohibited.

How to read this document

■ Illustrations

- Illustrations of the product appearance, menu screens, etc., may vary from the actual.

■ Conventions used in this manual

- Words and phrases in [] brackets indicate content displayed in the LCD monitor, etc.
- Words and phrases in < > brackets indicate design text used on this camera, such as button names.

■ Reference pages

- Reference pages in this document are indicated by (page 00).

■ Terminology

- SD memory card, SDHC memory card, and SDXC memory card are referred to only as “SD card” unless distinguished otherwise.
- A memory card with the “expressP2” logo is referred to as a “expressP2 card”.
- A memory card with the “microP2” logo is referred to as a “microP2 card”.
- expressP2 card and microP2 card are referred to only as a “P2 card” unless distinguished otherwise.
- P2 card and SD card are referred to only as a “memory card” unless distinguished otherwise.
- Video that is created during a single recording operation is referred to as a “clip”.

Contents

Read this first!	2	[VIDEO OUT/LCD/VF] menu	83
Chapter 1 Overview	12	[RECORDING] menu	95
Before using the camera	13	[NETWORK] menu	97
Accessories	15	[SYSTEM] menu	102
When turning on the power for the first time	16	[OTHERS] menu	103
[AREA SETTINGS]	16	[OPTION] menu	107
[TIME ZONE]	17	Factory setting value of the scene file	108
[CLOCK SETTING]	17	[SCENE FILE] menu	108
Use of the camera on a system	18	Target items for scene file/setup file/initialization	111
Basic configuration devices	18	[THUMBNAIL] menu	111
Expanded configuration devices	18	[CAMERA] menu	111
Accessories	18	[SCENE FILE] menu	112
Chapter 2 Description of Parts	19	[AUDIO] menu	114
Power supply and accessory mounting section	20	[VIDEO OUT/LCD/VF] menu	115
Audio (input) function section	22	[RECORDING] menu	117
Audio (output) function section	24	[NETWORK] menu	117
Shooting and recording/playback functions section	25	[SYSTEM] menu	118
Shooting and recording (Camera unit)	25	[OTHERS] menu	118
Shooting and recording/playback functions section (Recording unit)	27	[OPTION] menu	119
Menu operation section and thumbnail operation section	29	Chapter 5 Shooting	120
Time code section	30	Basic procedures	121
Warning and status display section	31	Preparing power supply and inserting memory cards	121
Display inside the display window	32	Switch settings for shooting	121
Display of remaining memory card capacity, remaining battery level, and recording level	32	Adjustments for shooting	122
Chapter 3 Preparation	33	Normal recording	122
Power supply	34	Adjusting the white and black balance	123
To use a battery	34	White balance adjustment	123
Attaching and setting the battery	34	Black balance adjustment	125
Using external DC power supply	35	Setting the electronic shutter	126
Mounting and adjusting the lens	37	Shutter mode	126
Mounting the lens	37	Setting the shutter mode/shutter speed	126
Adjusting lens flange back	38	Setting synchro scan mode	126
White shading compensation function	38	Flash band compensation (FBC) function	127
Chromatic aberration compensation function (CAC)	39	Setting the flash band compensation function	127
Preparing for audio input	43	Setting high dynamic range (HDR)	128
Using the front microphone	43	Recording in high dynamic range (HDR)	128
Using the wireless microphone receiver	43	Playing back the signal recorded in high dynamic range (HDR)	128
Using audio devices	43	Assigning function to the USER buttons	129
Mounting accessories	44	Selectable functions	129
Mounting the camera on a tripod	44	[USER SW GAIN] switching setting	130
Attaching the shoulder strap	44	Selecting audio input signal and adjusting recording level	131
Attaching the rain cover	45	Selecting audio input signals	131
Charging the built-in battery	46	Adjusting recording level	131
Setting the date/time of the internal clock	47	Special recording function	133
Inspections before shooting	48	Pre-recording	133
Preparing to inspect	48	Relay recording	133
Inspecting the camera unit	48	Simultaneous recording	134
Inspecting the memory recording functions	48	Interval recording	134
Preparing the memory card	51	Hot swap recording	135
Memory cards supported on the camera	51	Recording check function	135
Memory cards	52	Selecting the resolution, codec, and frame rate for recording video	135
Inserting the memory card	52	Selecting external reference signal and genlock setting	138
Removing the memory card	52	Locking the video signal to the external reference signal	138
Preventing accidental erasure	53	Setting of time data	139
Status of the card access lamp and the memory card	53	Definition of time data	139
Memory card recording time	54	Setting user bits	139
Handling recording data	55	How to input user bits	139
Chapter 4 Operation	58	Setting time code	140
Basic operation of the menu	59	Externally locking the time code	141
Configuration of the menu	59	Display of the viewfinder status	142
Basic operation of the menu	59	Lamp display in the viewfinder	142
Menu display	61	Configuration of status display on viewfinder screen	142
Displaying the menu	61	Selecting display items on viewfinder screen	142
Initializing the menu	61	Screen display during shooting	143
Menu settings	62	Screen display during playback	148
[THUMBNAIL] menu	62	Checking and displaying shooting status	148
[CAMERA] menu	62	Mode check display	150
[SCENE FILE] menu	68	Convenient shooting functions	154
[AUDIO] menu	79	Setting the marker display	154
		Marker confirmation screen (marker select function)	154
		Displaying zebra pattern	154
		Focus assist function	155
		Waveform monitor function	156
		Adjusting and setting the LCD monitor	157
		Using the LCD monitor	157
		Mirror shooting	157

Adjusting and setting the viewfinder	158	Updating the camera firmware	211
Using the viewfinder	158		
Handling setting data	159	Chapter 11 Specification	212
File structure of the setting data	159		
Operating SD cards	160	Dimensions	213
Setup file	160	Specifications	214
Scene file	162	General	214
Scene files	162	Camera unit	214
Returning the setting value of the menu to the factory setting	163	Memory card recorder	214
Lens files	164	Digital video	215
Writing and loading lens files to and from SD card	165	Digital audio	215
		Streaming	216
Chapter 6 Playback	167	Video output	216
		Audio input/output	216
Thumbnail operation	168	Other input/output	216
Thumbnail operation overview	168	Monitor	217
Thumbnail screen	168	Details of the connector signals	218
Copying clips	171	Index	221
Deleting clips	172		
Protecting clips	173		
Restoring clips	173		
Linking the incomplete clips	174		
Playing back clips	174		
Useful playback function	177		
Resume play	177		
Still image recording function	178		
Chapter 7 Output	179		
Output format	180		
Format that can be output from the <SDI OUT1> terminal	180		
Format that can be output from the <SDI OUT2> terminal	180		
Format that can be output from the <HDMI> terminal	181		
Chapter 8 Connecting to External Devices	183		
Connection function via the <USB DEVICE> terminal	184		
Connecting to a computer in the card reader mode	184		
Connecting with a recording device or a monitor	185		
Connecting external devices and recording control function	186		
Remote function	186		
Confirming the control output status	186		
Chapter 9 Network Connection	187		
Network connection	188		
Available functions	188		
Preparing for connection	189		
For the wireless module AJ-WM50	189		
For the wired LAN	189		
Network settings	190		
Wireless LAN settings	190		
Wired LAN settings	191		
Specifying the network settings using the settings tool	192		
Confirming the network status	194		
Connecting to the iPhone/iPad or Android terminal	195		
Mounting the wireless module	195		
Camera settings	195		
Preparing the CX ROP app	196		
Connecting to the CX ROP application	196		
Operation while the CX ROP app is connected	196		
Streaming function	197		
Camera settings	197		
Starting streaming with an operation from the application software	198		
Starting streaming with an operation on the camera	198		
Entering the setting using the setting tool	200		
NDI HX function	201		
Camera settings	201		
Using P2 Cast	203		
P2 Cast	203		
Procedure for using	203		
RTMP streaming from P2 Cast	203		
Chapter 10 Maintenance	204		
Warning system	205		
Warning list	205		
Alert	207		
Message	208		
Recording function that cannot be used simultaneously	210		

Chapter 1 **Overview**

Before using the camera, read this chapter.

Before using the camera

■ Before using the camera, always check if the built-in battery is not consumed, and then set the date/time.

The internal clock of the camera is reset when the built-in battery has been consumed. This may result in the meta data of the clip not being recorded correctly, and it may not be displayed correctly in the thumbnail screen.

Check if the built-in battery is not consumed before using. (page 46)

Also, set the correct date/time.

For details about setting the time zone and date/time, refer to [TIME ZONE] (page 17) and [CLOCK SETTING] (page 17).

■ Do not use the unit in oily-smoky or dusty places.

Performance may be adversely affected if small particles or other foreign objects get inside the product.

Take extra care in environments where a special effect such as theatrical smoke is used.

■ Memory cards

- The surface of camera or the memory card may get slightly hot when used for a long period of time, but this is not a malfunction.
- The amount of memory included on the label of the memory card is the total amount of memory below.
 - Capacity to protect and manage copyright
 - Capacity usable as the normal memory on the camera or a PC.
- Do not give a strong impact to, bend, or drop the memory card.
- Memory card data may become destroyed or erased in the following cases.
 - Electrical noise or static electricity
 - Malfunction of the camera or the memory card
- Do not perform following operations while accessing a memory card.
 - Removing the memory card
 - Disconnecting battery or the external DC power supply without turning off the camera
 - Apply vibration of impact

■ Caution regarding laser beams

The MOS sensor may be damaged if the MOS sensor is subjected to light from a laser beam.

Take sufficient care to prevent laser beams from striking the lens when shooting in an environment where laser devices are used.

■ Note the following points.

- If you prepare to record important images, always shoot some advance test footage to verify that both pictures and sound are being recorded normally.
- Panasonic will not assume liability when video or audio recording fails due to a malfunction of the camera or the memory card during the use.
- Set the calendar (datetime of the internal clock) and the time zone, or check the setting before recording. This will have an effect on the management of the recorded contents.

■ Cautions when throwing memory cards away or transferring them to others

Formatting memory cards or deleting data using the functions of the camera or a computer will merely change the file management information: it will not completely erase the data on the cards.

It is recommended to completely erase the data in following method when discarding/conveying.

- Physically destroy the memory card itself
- Completely erase the data in the memory card using a commercially available data erasing software for PC, etc.

Users are responsible for managing the data stored in their memory card.

■ LCD monitor

- Do not continuously display the same image or text on the LCD monitor for a long period of time. The image may be burned on to the screen. It will return to normal after leaving the camera recorder turned off for several hours.
- Condensation sometimes forms on the LCD panel of the LCD monitor in locations subject to extreme temperature differences. If this happens, wipe with a soft, dry cloth.
- The LCD monitor will be slightly darker than normal immediately after the power is turned on when the camera is very cold. It will return to its regular brightness when the internal temperature increases.
- The LCD monitor is managed with high precision so that at least 99.99% of the dots are effective, but there may be 0.01% or less of missing pixels or pixels always lit. This is not a malfunction and it has no effect whatsoever on the recorded images.
- It may become difficult to see or difficult to recognize the touch when a LCD protection sheet is affixed.

■ GPS

GPS (Global Position System) satellites are controlled by the US Department of State, and their accuracy may be intentionally changed.

Perform positioning at a location well open to the sky and avoid locations subject to obstacles such as indoors or around trees.

Depending on the surrounding environment or the time of the day, it may take a long time to perform positioning or there may be a significant error in the positioning.

■ Exemption of liability

Panasonic is not liable in any way regarding following.

- 1 **Incidental, special, or consequential damages caused directly or indirectly by the camera**
- 2 **Damages, breakage of the camera, etc., caused by misuse or carelessness of the customer**
- 3 **When disassembly, repair, or modification of the camera is performed by the customer**
- 4 **Inconveniences, damnification, or damages by not being able to record and/or display the video due to any reasons including failure or malfunction of the camera**

- 5 Inconveniences, damnification, or damages resulting from malfunction of the system combining with any third party equipment
- 6 A liability claim or any claim for a privacy violation by an individual or a group that was the subject of the video that the customer has shot (including recording) that became public by any reason (including using with the network user authentication turned OFF)
- 7 The registered information is lost due to any reason (including initializing this camera because the authentication information such as user name or password is forgotten)

■ **Cautions regarding network**

Since this camera is used connected to a network, following mischief may occur.

- 1 **Leaking or divulging of information through the camera**
- 2 **Fraudulent operation of the camera by a malicious third party**
- 3 **Obstruction and/or stopping of the camera by a malicious third party**

It is customer's responsibility to take sufficient network security measures including the following to prevent damage caused by such mischief. Please note that Panasonic is not liable in any way for damage caused by such mischief.

- Use the camera on a network where safety is secured by using a firewall, etc.
- When using the camera on a system where a PC is connected, make sure that checking and cleaning of infection by computer virus and malicious program is performed periodically.
- In order to prevent malicious attacks, use the authentication system and change the default setting values by using 8 characters or more including 3 or more character types for the authentication information (such as user name and password) so that a third party cannot guess your authentication information.
- Store the authentication information (user name, password, etc.) appropriately so it is not visible to the third party.
- Periodically change the authentication information (user name, password, etc.) and do not use the same authentication information as other accounts.
- To prevent the setting information in the camera to leak to the network, execute measure such as restricting the access with user authentication, etc.
- Do not install in a location where the camera, cable, etc., can be easily damaged.

■ **Security**

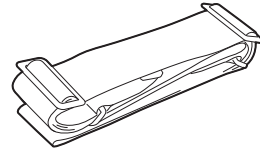
Take caution in handling the camera or memory card so it is not stolen, lost or neglected, and handle with care when discarding. Note that Panasonic is not liable to leakage, falsification, or loss of information caused by them.

Accessories

Mount cap (already attached to the product) (page 20)



Shoulder strap (page 44)



 **NOTE**

- Appropriately discard the packing materials after taking the product out.

When turning on the power for the first time

The camera is shipped with the region of use not set.

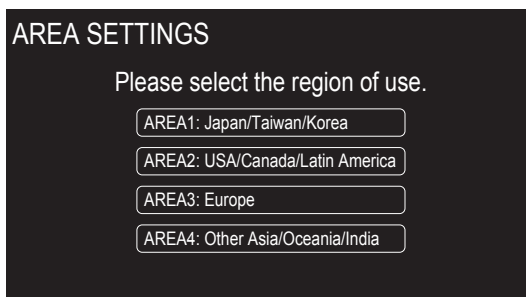
[AREA SETTINGS] is displayed in the LCD monitor when the power is turned on for the first time.

Follow the guidance and make the settings in the order of [AREA SETTINGS], [TIME ZONE], and then [CLOCK SETTING].

- There are two methods of operation, a method to operate with the jog dial button or the cursor operation button, and a method to touch the LCD monitor.

[AREA SETTINGS]

Set the region of use.



1 Connect the charged battery or the external DC power supply to the camera, and set the power switch to < | > (ON).

The [AREA SETTINGS] screen is displayed.

2 Select the region of use.

[AREA 1]: Japan, Taiwan, South Korea

[AREA 2]: United States of America, Canada, Central and South America regions

[AREA 3]: Europe

[AREA 4]: Asia region (excluding Japan, Taiwan, South Korea), Oceania region, India

3 When the confirmation message is displayed, select [YES].

The camera will be initialized in accordance to the region selected in Step 2. The camera will automatically restart.

Once the setting for [AREA SETTINGS] is completed, the [TIME ZONE] screen is displayed.

NOTE

- Once this is set, the [AREA SETTINGS] screen is not displayed from the next startup.
- To change the region of use, set with the [OPTION] menu → [AREA SETTINGS].

■ Setting contents of each region of use

[RECORDING] → [REC MEDIA] is set to [microP2/SD].

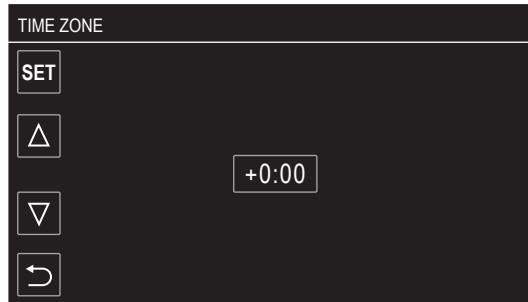
Following setting differs depending on the selected region.

- The [SYSTEM] menu → [FREQUENCY]
- The [SYSTEM] menu → [REC FORMAT]
- The [OTHERS] menu → [CLOCK] → [DATE FORMAT]
- The [AUDIO] menu → [REC CH SETTINGS] → [HEAD ROOM]
- The [AUDIO] menu → [INPUT SETTINGS] → [REAR LINE IN LEVEL]
- The [AUDIO] menu → [OUTPUT SETTINGS] → [AUDIO OUT LEVEL]
- The [OTHERS] menu → [LANGUAGE]

Item	[AREA 1]	[AREA 2]	[AREA 3]	[AREA 4]
[FREQUENCY]	[59.94Hz]	[59.94Hz]	[50.00Hz]	[50.00Hz]
[REC FORMAT]	[2160-59.94p/HEVC LongGOP 100M]	[2160-59.94p/HEVC LongGOP 100M]	[2160-50.00p/HEVC LongGOP 100M]	[2160-50.00p/HEVC LongGOP 100M]
[DATE FORMAT]	[Y-M-D]	[M-D-Y]	[D-M-Y]	[D-M-Y]
[HEAD ROOM]	[20dB]	[20dB]	[18dB]	[18dB]
[REAR LINE IN LEVEL]	[4dB]	[4dB]	[0dB]	[4dB]
[AUDIO OUT LEVEL]	[4dB]	[4dB]	[0dB]	[4dB]
[LANGUAGE]	[English] [日本語]	[English] [Français] [Español]	[English] [Français] [Deutsch] [Español] [Italiano]	[English] [Français] [Español]

[TIME ZONE]

Set the time difference from the Greenwich Mean Time.



1 Set the time difference.

2 Select [SET].

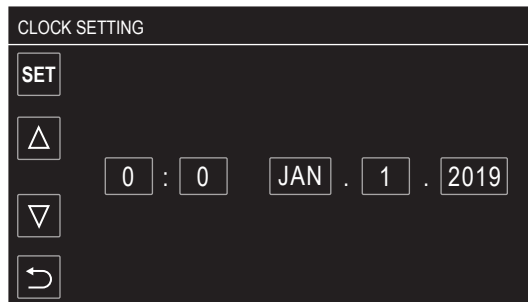
Once the setting for [TIME ZONE] is completed, the [CLOCK SETTING] screen is displayed.

 **NOTE**

- The setting for the date/time of the camera changes together with the time zone settings.
- This can also be set with the [OTHERS] menu → [CLOCK] → [TIME ZONE].

[CLOCK SETTING]

Set the year, month, date, and time.



1 Set the year, month, date, and time.

2 Select [SET].

Once the setting is complete, the camera image screen is displayed on the LCD monitor.

 **NOTE**

- This can also be set with the [OTHERS] menu → [CLOCK] → [CLOCK SETTING].

Use of the camera on a system

Parts other than the camera are optionally available. Use the following recommended parts.

Basic configuration devices

Equipment necessary for shooting with the camera, such as lenses, batteries, etc.

Part name	Part No.	Remark
Electronic HD color view finder	AG-CVF15G/AJ-CVF25G/AJ-CVF50G	"Adjusting and setting the viewfinder" (page 158)
Super-directional electret stereo microphone (phantom +48V)	AJ-MC900G	"Using the front microphone" (page 43)
Lens (Bayonet type)	FUJINON/CANON	"Mounting and adjusting the lens" (page 37)
Battery	Anton/Bauer battery*1 Dionic/Hytron/Titon/Digital series	"Attaching and setting the battery" (page 34)
SD card*2 expressP2 card*2 microP2 card*2	Visit the support desk at the website*2	"Memory cards" (page 52)

*1 A battery holder is provided as standard on the main unit.

*2 For the latest information not included in these Operating Instructions, refer to the support desk at the following website.
<https://pro-av.panasonic.net/>

Expanded configuration devices

The following devices are also available in addition to the basic configuration devices.

Part name	Part No.	Remark
Wireless module	AJ-WM50	"For the wireless module AJ-WM50" (page 189)
Memory card drive	AU-XP3	—
UniSlot wireless microphone receiver	—	—
External DC power supply	—	"Using external DC power supply" (page 35)

For details on wireless modules that can be connected, refer to the support desk at the following website.

<https://pro-av.panasonic.net/>

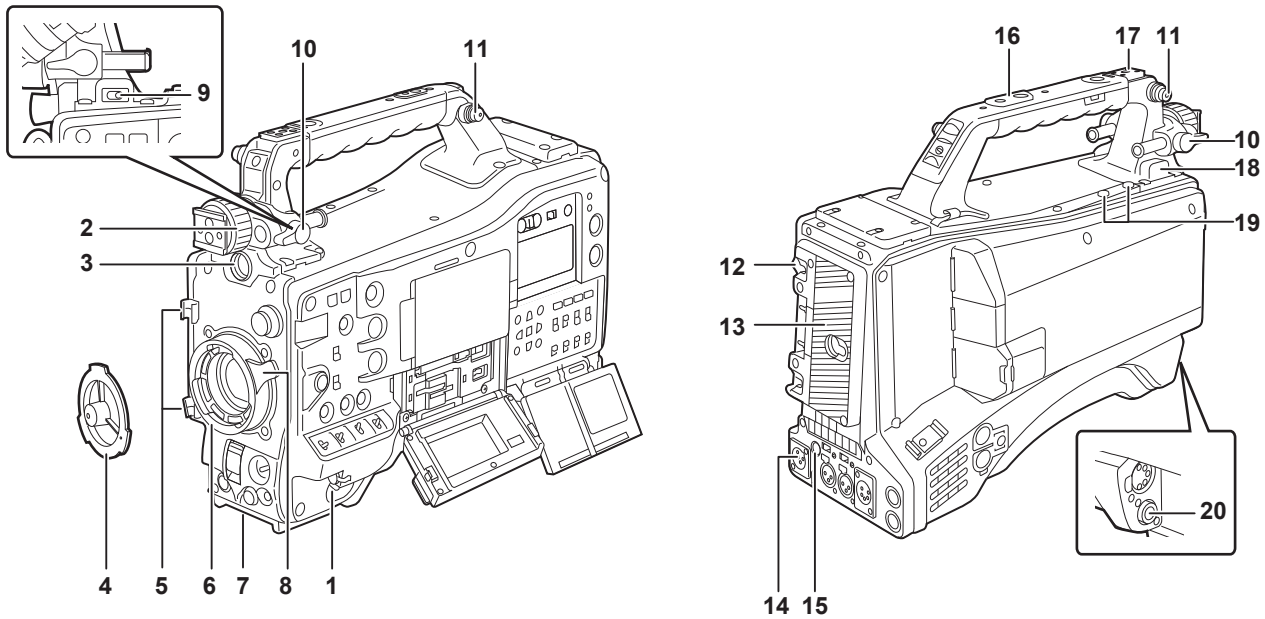
Accessories

Part name	Part No.	Remark
Rain cover	SHAN-RC700	"Attaching the rain cover" (page 45)
Tripod adaptor	SHAN-TM700	"Mounting the camera on a tripod" (page 44)

Chapter 2 **Description of Parts**

This chapter describes the names, functions, and operations of parts on the camera.

Power supply and accessory mounting section



1 Power switch

Switches between power on/standby.

To turn on, set the power switch to < | > (ON). To set to standby, set the power switch to < ⏻ > (standby).

NOTE

• Even when the power switch is set to the < ⏻ > (standby) position, the camera is not shut off from the main power.

2 Viewfinder left/right positioning ring

To adjust the left/right position of the viewfinder, loosen this ring, and slide the viewfinder to the left or right to adjust it to an easy-to-view position. After adjustment, turn in the < LOCK > direction and firmly clamp.

3 <VF> terminal

Mount the viewfinder AG-CVF15G (optional), AJ-CVF50G (optional), etc.

4 Mount cap

Raise the lens lever to remove the cap. Replace the cap when the lens is not mounted.

5 Cable holders

Fix the cables for lens or microphone.

6 Lens mount

Mounts the 2/3-inch bayonet lens.

7 Tripod mount

Attaches the tripod adaptor SHAN-TM700 (optional). (bottom)

8 Lens lever

After mounting the lens to the lens mount, tighten the lens lever to secure the lens.

9 <LIGHT> switch

Select how to turn on/off the video light connected to the < LIGHT > terminal.

< AUTO >: When the video light is left turned on, the light is illuminated at the same time that recording starts on the camera and goes out at the same time that recording stops.

< MANUAL >: The light is illuminated according to whether the video light is turned on/off.

10 Viewfinder front/back positioning lever

To adjust the front/back position of the viewfinder, loosen this lever, and slide the viewfinder to the front or back to adjust it to an easy-to-view position. After adjustment, turn in the < LOCK > direction and firmly clamp.

11 Shoulder strap mounting section

Mounts the supplied shoulder strap. (page 44)

12 Battery release lever

Used when removing the battery from the camera.

13 Battery holder

Mounts the Anton/Bauer battery (optional).

14 <DC IN> terminal

This is the input terminal for the external power supply. Connect to the external DC power supply.

15 <DC OUT> terminal

This is the DC12 V power supply output terminal. It provides a maximum current of 1.5 A.

NOTE

• Make sure that polarity is correct before connecting an external device. Doing so may result in a malfunction.

16 Accessory mounting holes

Attaches accessories.

Do not attach anything other than an accessory.

- Mounting hole size
 - 1/4-20 UNC (screw length 10 mm or shorter)
 - 3/8-16 UNC (screw length 10 mm or shorter)

17 Light shoe

Attaches the video light, etc.

- Mounting hole size
 - 1/4-20 UNC (screw length 6 mm or shorter)

18 <LIGHT> terminal

Connect a video light 50 W or less.

The remaining battery level drops sharply when the video light is illuminated. When using a video light, using a battery of 90 Wh or more is recommended.

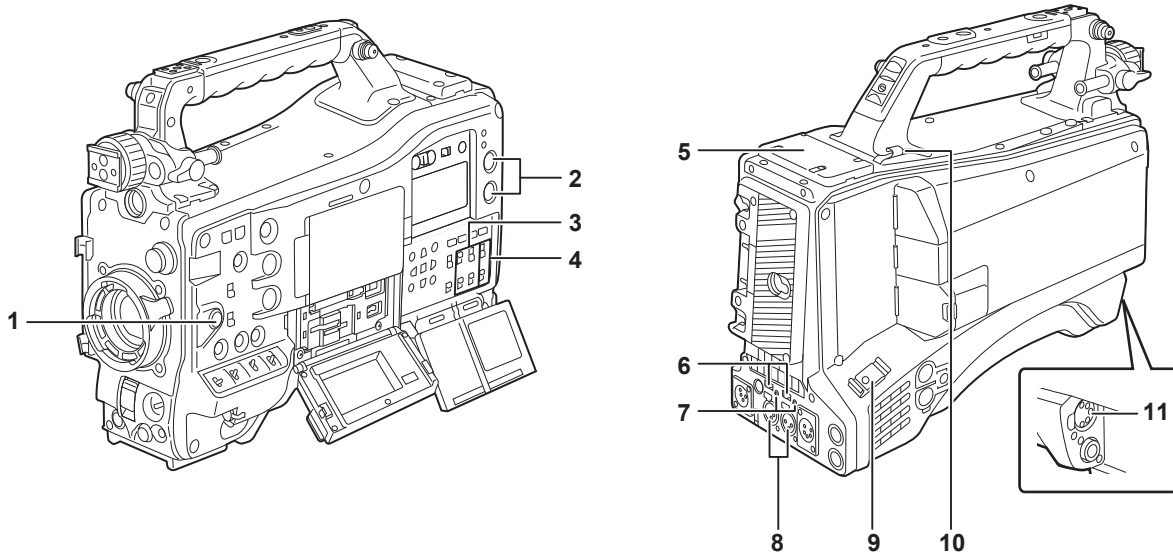
19 Microphone holder mounting section

Mounts the microphone holder AJ-MH800G (optional).

20 <LENS> terminal

Connects the lens connection cable. For details of the lens used, refer to the Operating Instructions for the lens.

Audio (input) function section



1 <F.AUDIO LEVEL> dial

Adjusts the recording level of the audio channel selected in the [AUDIO] menu → [REC CH SETTINGS] → [VOL. SELECT] when the <AUDIO SELECT CH1/3>/<AUDIO SELECT CH2/4> switch is set to <MANU>.

- Set whether to enable the <F.AUDIO LEVEL> dial at the [AUDIO] menu → [REC CH SETTINGS] → [FRONT VOL. CH1] to [FRONT VOL. CH4].

2 <AUDIO LEVEL CH1/3>/<AUDIO LEVEL CH2/4> dial

Adjusts the recording level of the audio channel when the <AUDIO SELECT CH1/3>/<AUDIO SELECT CH2/4> switch is set to <MANU>.

<AUDIO LEVEL CH1/3> dial: Adjusts the recording level of the audio channel 1 or the audio channel 3.

<AUDIO LEVEL CH2/4> dial: Adjusts the recording level of the audio channel 2 or the audio channel 4.

- Select the audio channel to adjust with the dial in the [AUDIO] menu → [REC CH SETTINGS] → [VOL. SELECT].

- Dial is equipped with a lock mechanism. Adjust by turning the dial while pressing it in.

3 <AUDIO IN CH1>/<AUDIO IN CH2>/<AUDIO IN CH3>/<AUDIO IN CH4> switch

Selects the audio signal to input to the audio channel 1 to audio channel 4.

<FRONT>: Inputs the audio signal of the microphone connected to the <MIC IN> terminal.

<W.L.>: Inputs the audio signal from the wireless microphone receiver.

<REAR>: Inputs the audio signal from the audio device connected to the <AUDIO IN CH1/3> terminal or the <AUDIO IN CH2/4> terminal.

NOTE

- When the stereo microphone AJ-MC900G (optional) is used, set both <AUDIO IN CH1> and <AUDIO IN CH2> (or <AUDIO IN CH3> and <AUDIO IN CH4>) to <FRONT>.

L CH is recorded to the audio channel 1 or the audio channel 3, and R CH is recorded to the audio channel 2 or the audio channel 4, respectively.

4 <AUDIO SELECT CH1/3>/<AUDIO SELECT CH2/4> switch

Select the audio channel to adjust in the [AUDIO] menu → [REC CH SETTINGS] → [VOL. SELECT].

<AUDIO SELECT CH1/3> switch: Switches the method to adjust the recording level for the audio channel 1 or audio channel 3 with <AUTO>/<MANU> (automatic/manual).

<AUDIO SELECT CH2/4> switch: Switches the method to adjust the recording level for the audio channel 2 or audio channel 4 with <AUTO>/<MANU> (automatic/manual).

5 Wireless microphone slot

Mount the UniSlot wireless microphone receiver (optional).

6 <LINE>/<MIC> selector switch

Switches the audio signal input from the <AUDIO IN CH1/3>/<AUDIO IN CH2/4> terminal.

<LINE>: Inputs audio signals from line-input audio equipment.

<MIC>: Inputs audio signals from the microphone.

7 Microphone input power selector switch

Turns on/off the power supply to the microphone connected to the <AUDIO IN CH1/3>/<AUDIO IN CH2/4> terminal.

<+48V>: Supplies +48 V power to the microphone.

<OFF>: Does not supply power to the microphone.

NOTE

- When microphone input <+48V> is set and microphones are not connected to the <AUDIO IN CH1/3> and <AUDIO IN CH2/4> terminals, low-frequency noise may occur. This is not a problem when a microphone is connected.

- When the [AUDIO] menu → [INPUT SETTINGS] → [REAR MIC POWER] → [ON] is not set, power is not supplied regardless of the switch position.

8 <AUDIO IN CH1/3>/<AUDIO IN CH2/4> terminal

Connects the audio equipment or the microphone.

<AUDIO IN CH1/3> terminal: Inputs the audio signal to the audio channel 1 and the audio channel 3.

<AUDIO IN CH2/4> terminal: Inputs the audio signal to the audio channel 2 and the audio channel 4.

9 Cable holder

Fixes HDMI cables, etc.

10 Cable holder

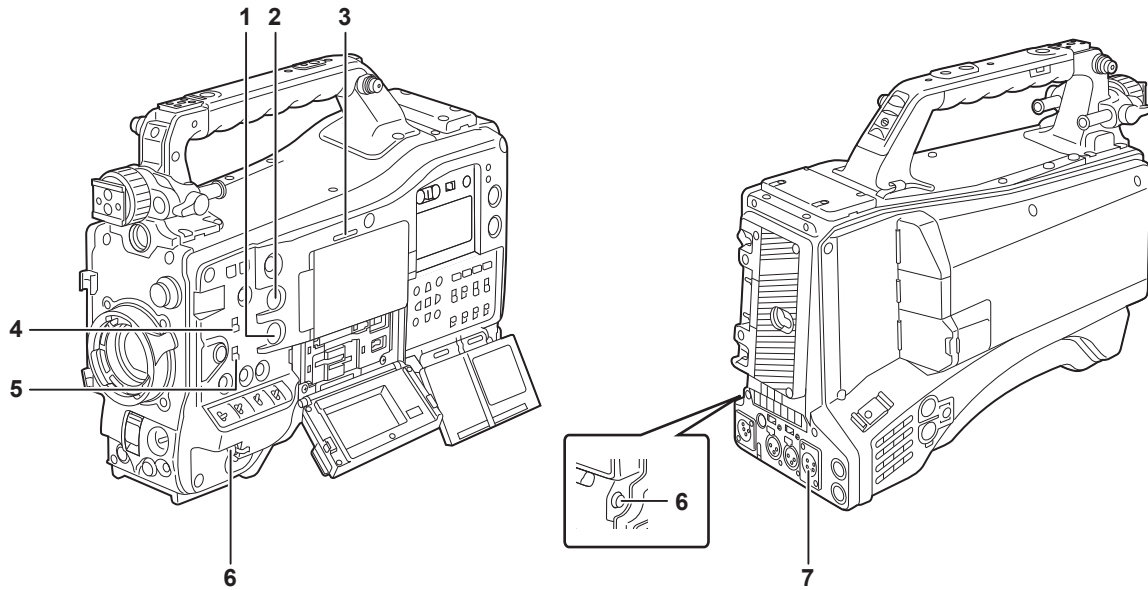
Fixes the cables for lights or microphone.

11 <MIC IN> terminal

Connects an external microphone (optional).

- When using the phantom microphone, set to the [AUDIO] menu → [INPUT SETTINGS] → [FRONT MIC POWER] → [ON]. When it is set to [ON] and a microphone is not connected, low-frequency noise may occur. This is not a problem when a microphone is connected.

Audio (output) function section



1 <MONITOR> dial

Adjusts the volume of the monitor audio during playback, recording, and recording standby.

2 <ALARM> dial

Adjusts the volume of the alarm from the built-in speaker and earphones.
When set to the minimum position, the alarm cannot be heard.

3 Built-in speaker

EE audio is output during recording, and playback audio is output during playback.
An alarm sound is output in sync with flashing/lighting of the <WARNING> lamp or warning indicator.
Audio from the built-in speaker is automatically muted when earphones are connected to the <PHONES> terminal.

4 <MONITOR SELECT> switch

Selects audio output from the built-in speaker, earphones, and <AUDIO OUT> terminal interlocked with the audio channel selector switch.
<CH1/3>: Outputs audio signal of the audio channel 1 or the audio channel 3.
<ST>: Outputs the stereo audio signal of the audio channel 1 and the audio channel 2, or the audio channel 3 and the audio channel 4. Set to the MIX signal in the [AUDIO] menu → [OUTPUT SETTINGS] → [MONITOR SELECT] → [MIX].
<CH2/4>: Outputs audio signal of the audio channel 2 or the audio channel 4.

<MONITOR SELECT> switch	Audio channel selector switch	
	<CH1/2>	<CH3/4>
<CH1/3>	Audio channel 1	Audio channel 3
<ST>	Stereo output from audio channels 1 and 2*	Stereo output from audio channels 3 and 4*
<CH2/4>	Audio channel 2	Audio channel 4

* Switches between [STEREO] and [MIX] in the [AUDIO] menu → [OUTPUT SETTINGS] → [MONITOR SELECT].

5 Audio channel selector switch

Switches the audio channel output to the built-in speaker, earphones, and <AUDIO OUT> terminal.
<CH1/2>: Outputs audio signal of the audio channel 1 and the audio channel 2.
<CH3/4>: Outputs audio signal of the audio channel 3 and the audio channel 4.

6 <PHONES> terminal

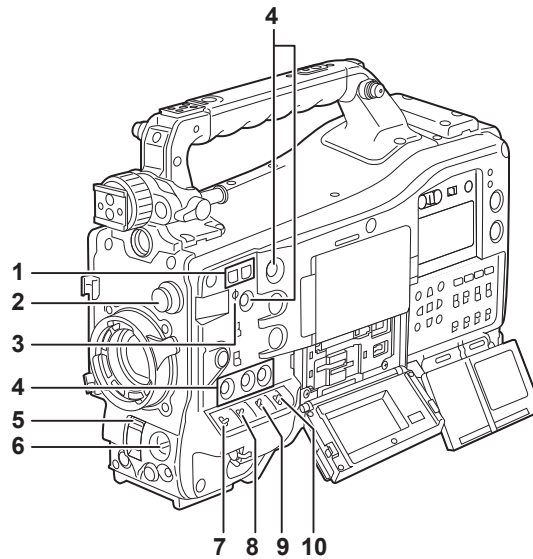
This is a stereo mini jack terminal for the audio monitor earphones.
Same audio is output for both the front and the rear sides.

7 <AUDIO OUT> terminal

Outputs the audio signal recorded in the audio channel 1 to audio channel 4.
• The audio signal to be output is switched with the <MONITOR SELECT> switch.

Shooting and recording/playback functions section

Shooting and recording (Camera unit)



1 <SYNCHRO SCAN> button

Adjusts the shutter speed of synchro scan in the synchro scan mode.

Pressing the <-> button slows down the shutter speed. Pressing the <+> button increases the shutter speed.

For example, when shooting a computer monitor, adjust to a position where the noise for the horizontal bar in the viewfinder will be reduced.

2 <CC FILTER>/<ND FILTER> dial

Select the filter to suit the luminance or color temperature of the subject.

Position of <CC FILTER> dial (large diameter)	Setting	Description
<A>	<3200 K>	Sets the color temperature to 3200 K.
	<4300 K>	Sets the color temperature to 4300 K.
<C>	<5600 K>	Sets the color temperature to 5600 K.
<D>	<6300 K>	Sets the color temperature to 6300 K.

Position of <ND FILTER> dial (small diameter)	Setting	Description
<1>	<CLEAR>	Does not use the ND filter.
<2>	<1/4ND>	Reduces the amount of light entering the MOS sensor to 1/4.
<3>	<1/16ND>	Reduces the amount of light entering the MOS sensor to 1/16.
<4>	<1/64ND>	Reduces the amount of light entering the MOS sensor to 1/64.

Refer to the following table to switch the <CC FILTER> and <ND FILTER> dials according to the shooting conditions.

Shooting conditions	<CC FILTER> dial	<ND FILTER> dial
Sunset, sunrise, inside studio	<A> (<3200 K>)	<1> (<CLEAR>)
Outdoors in the clear skies	 (<4300 K>) or <C> (<5600 K>) or <D> (<6300 K>)	<2> (<1/4ND>) or <3> (<1/16ND>)
Outdoors under cloudy skies or in the rain	<D> (<6300 K>)	<1> (<CLEAR>) or <2> (<1/4ND>)
Clear, bright scenery such as snowy scenery, tall mountains, seaside	 (<4300 K>) or <C> (<5600 K>) or <D> (<6300 K>)	<3> (<1/16ND>) or <4> (<1/64ND>)

3 Focal plane index <Φ>

Indicates the focal plane of the MOS sensor.

Use this mark as a reference for measuring the accurate focal distance from the subject.

4 <USER> button

The function selected by the user can be assigned to the <USER 1> to <USER 5> buttons. Pressing the <USER> button performs the assigned function.

5 <SHUTTER> switch

Switches the electronic shutter.

<OFF>: Disables the electronic shutter.

<ON>: Enables the electronic shutter.

<SEL>: Changes the shutter speed.

It is a spring switch. Shutter speed is changed each time pressed toward the <SEL> side.

6 <AUTO W/B BAL> switch

<AWB>: White balance is automatically adjusted. When this switch is operated with the <WHITE BAL> switch on the side set to <A> or , adjustment is performed in several seconds and adjustment values are stored in memory. This is disabled when the <WHITE BAL> switch is set to <PRST>.

<ABB>: Adjusts black balance automatically.

The black shading automatic adjust function can be assigned to this switch when set to the [CAMERA] menu → [SW MODE] → [SHD,ABB SW CTL] → [ON].

- The automatic adjustment is cancelled when operation of switch is repeated while auto adjustment is performed. The adjustment values will return to the values before automatic adjustment was performed.

7 <MARKER SEL>/<MODE CHECK> switch

This is the spring switch to select a marker and check the shooting status of the camera.

<MKR>: Every time this is pressed to the <MKR> side, the marker display on the viewfinder switches in the order of [A] marker, [B] marker, and no display.

When the power is turned on, the status before the power was turned off is applied.

<MCK>: Every time this is pressed to the <MCK> side, display is switched in the order of STATUS screen, !LED screen, FUNCTION screen, AUDIO screen, CAC screen, SWITCH screen, NETWORK screen, and camera image screen. This does not affect the output signals from the camera. The display goes out in about five seconds. When the switch is continued to be pressed toward the <MCK> side, the selected screen remains displayed.

8 <GAIN> switch

Switches the video amplifier gain according to the lighting conditions when shooting.

- Set the gain value for <L>/<M>/<H> in the [SCENE FILE] menu → [LOW SETTING]/[MID SETTING]/[HIGH SETTING] → [MASTER GAIN] in advance.
- The factory setting is L=0 dB, M=6 dB, H=12 dB.

9 <OUTPUT>/<AUTO KNEE> switch

Select the video signals output to the memory, viewfinder and video monitor from the camera unit.

<CAM>/<ON>: Video captured on the camera is output and the auto knee function is activated.

Instead of the auto knee function, the dynamic range stretcher (DRS) function can be assigned.

<CAM>/<OFF>: Video captured on the camera is output and the auto knee function is not activated.

The knee point is fixed to the level set in the [SCENE FILE] menu → [KNEE SETTING] → [KNEE MASTER POINT].

<BARS>/<OFF>: The color bar signal is output. The auto knee function is not activated.

The color bar signal can be selected from the two types in the [OTHERS] menu → [COLOR BARS] → [COLOR BARS TYPE].



NOTE

- As the factory setting, test signals are output to all audio channels 1 to 4 when the <OUTPUT>/<AUTO KNEE> selector switch is set to <BARS>. Whether to output the test signal or not can be changed in the [OTHERS] menu → [COLOR BARS] → [TEST TONE].

- Auto knee function

When you adjust levels to shoot people or scenery against a background with high luminosity, the background will be totally white-out, with buildings and other objects blurred. In such a case, the auto knee function reproduces the background clearly.

The auto knee function is effective when shooting the following scenes:

- The subject is a person positioned in the shade under a clear sky.
- The subject is a person inside a car or a building, and you also want to capture the background visible through a window.
- The subject is a high-contrast scene.

10 <WHITE BAL> switch

Switches the white balance adjustment method.

<PRST>: Set the switch to this position when there is no time to adjust the white balance.

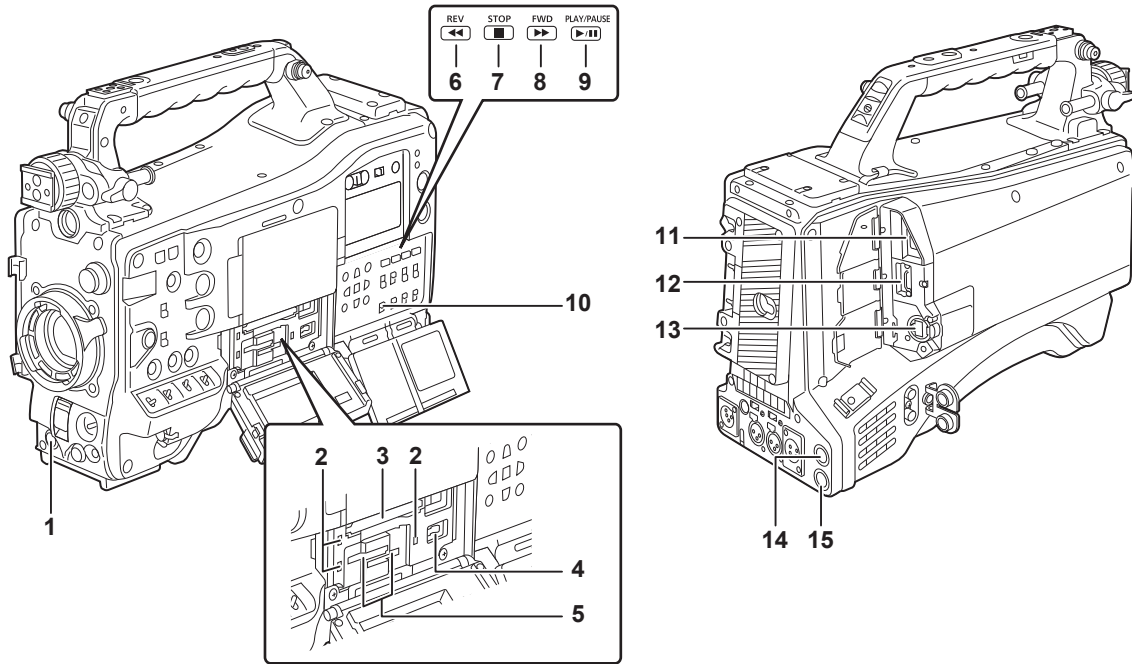
- The factory setting is 3200 K.

- Can be changed to an arbitrary color temperature with the [CAMERA] menu → [WHITE BALANCE MODE] → [W.BAL VAR].

<A>/: When the <AUTO W/B BAL> switch is pressed to the <AWB> side, the white balance is automatically adjusted and the adjusted value is saved in memory A or memory B.

The auto tracking white balance (ATW) function can be assigned to the <WHITE BAL> switch with the [CAMERA] menu → [WHITE BALANCE MODE] → [ATW].

Shooting and recording/playback functions section (Recording unit)



1 <REC> button

Recording is started by pressing the <REC> button. Recording is stopped by pressing this button again. Performs the same operation as the <VTR> button of the lens to be attached.

2 Card access lamp 1/card access lamp 2/card access lamp 3

Indicates the access status of recording and playback of the memory card.

3 Card slot 1

This is a card slot only for expressP2 card.

4 <USB DEVICE> terminal

In the USB device mode, the camera can be connected to the computer by the USB type C cable to transfer data. In this case, recording playback operations and camera shooting are not possible.

5 Card slot 2/card slot 3

These are card slots for microP2 card and SD card.

6 <REV (◀◀)> button

It will perform fast-reverse playback when this is pressed during playback. It will playback from the start of the clip when this is pressed while paused.

7 <STOP (■)> button

Press this button to stop playback.

8 <FWD (▶▶)> button

It will perform fast playback when this is pressed during playback. It will play back from the start of the next clip when this is pressed while paused during a playback.

9 <PLAY/PAUSE (▶/||)> button

Plays back a clip. Playback is paused when this is pressed during the playback.

10 <SDI OUT 2 CHARACTER> switch

Controls the superimposing of characters into the video output from the <SDI OUT2> terminal. Controls the superimposing of characters into the video output from the <HDMI> terminal when the [VIDEO OUT/LCD/VF] menu → [HDMI OUT] → [SIGNAL SEL] → [SDI OUT2] is set.
 <ON>: Superimposes the character.
 <OFF>: Does not superimpose the character.

11 <USB2.0 HOST> terminal

Can connect via wireless LAN when the wireless module (optional) compatible to camera is mounted.

12 <HDMI> terminal

This is the output terminal for videos. Output signal can be switched with the [VIDEO OUT/LCD/VF] menu → [HDMI OUT] → [SIGNAL SEL].
 [SDI OUT1(2160p)]: Follows the setting of the output signal from the <SDI OUT1> terminal.
 [SDI OUT2]: Follows the setting of the output signal from the <SDI OUT2> terminal. Setting for superimposing of characters can be switched in the [VIDEO OUT/LCD/VF] menu → [HDMI OUT] → [SIGNAL SEL].

13 <LAN> terminal

Connects the 1000BASE-T/100BASE-TX/10BASE-T LAN cable. Use Category 7 LAN cable.

14 <SDI OUT1> terminal

This is the output terminal only for SDI.

Select an output signal in the [VIDEO OUT/LCD/VF] menu → [SDI OUT1] → [OUT FORMAT].

Superimposing of characters is set in the [VIDEO OUT/LCD/VF] menu → [SDI OUT1] → [SDI OUT CHAR].

15 <SDI OUT2> terminal

This is the video output terminal for the monitor.

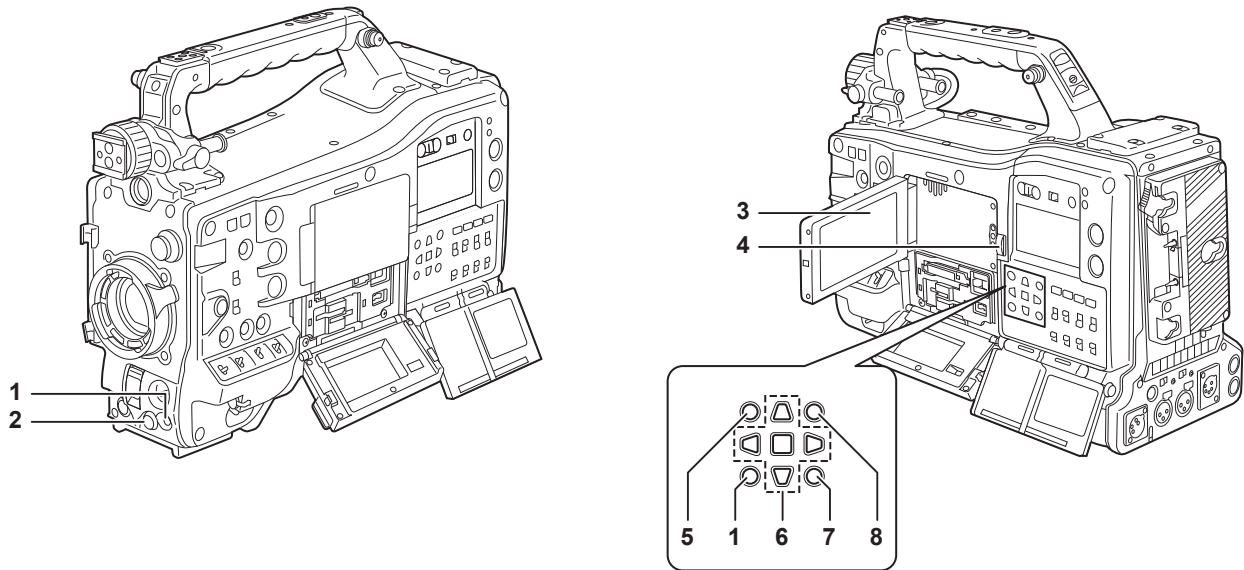
Select an output signal in the [VIDEO OUT/LCD/VF] menu → [SDI OUT2] → [OUT FORMAT].

Superimposing of characters can be set with the <SDI OUT 2 CHARACTER> switch independently of the <SDI OUT1> terminal.

 **NOTE**

- Use 5C-FB or higher cable to connect to the <SDI OUT1>/<SDI OUT2> terminals.

Menu operation section and thumbnail operation section



1 <MENU> button

Press the <MENU> button to display menu on the viewfinder screen. Press it again to return to the previous display. There are two <MENU> buttons at the front and the rear, and both perform the same operation.

2 Jog dial button

With the menu open, navigates, selects, or sets the menu.

3 LCD monitor

Displays the camera image or replayed image. The thumbnail and status can also be displayed.

- The quality of the image displayed in this monitor is different from the quality of the image that is actually recorded/output to the camera.

Bear this in mind especially in the following case:

- When set to the [SCENE FILE] menu → [GAMMA MODE SEL] → [HLG]
- If the battery is removed or the external DC power plug is removed while the power is on, a residual image might remain in the LCD screen. This is not a malfunction. It will disappear if the screen is left as it is.
- At lower temperatures, residual images sometimes appear to increase on the screen. This is not a malfunction.

4 <OPEN> button

This is used to open the LCD monitor.

5 <THUMBNAIL> button

Press this button to display the thumbnail screen on the LCD monitor and viewfinder screen. Press it again to return to the regular display.

6 Cursor operation button

This is used for setting time codes or user bit values, and selecting thumbnails or operating menus.

This is used for selecting an item or changing the setting when the menu is displayed.

Operate the cursor with the four triangular buttons, and set with the <SET> button at the center.

7 <EXIT> button

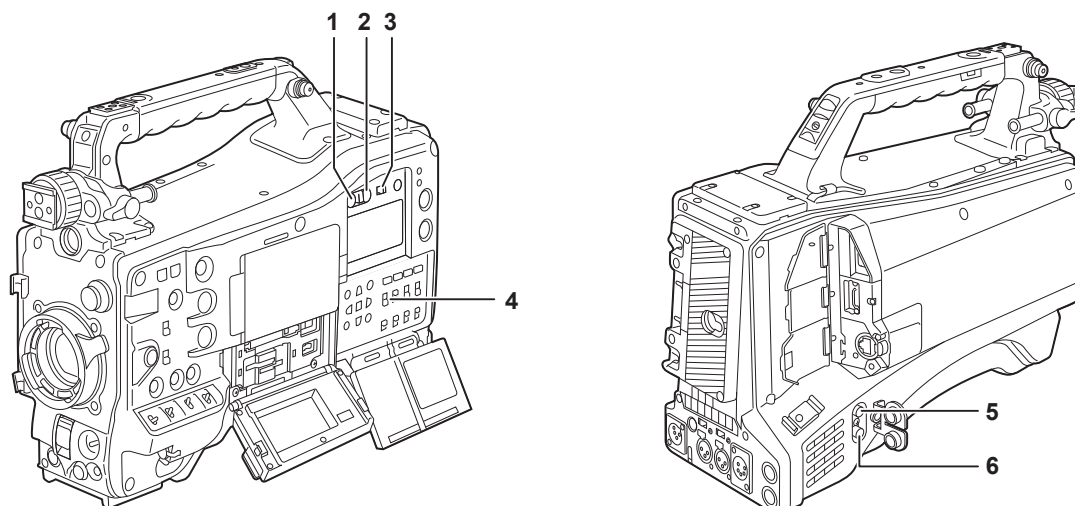
Restore the display to the previous state while the menu or settings screen is displayed.

8 <SHIFT> button

This is used together with other button being pressed simultaneously.

- The [OPTION] menu is displayed when the <MENU> button is pressed together with the <SHIFT> button.

Time code section



1 <HOLD> button

The time data indication on the counter display area is retained from the moment when this button is pressed. However, the time code generator continues to advance. Press the button again to release the retained state.

This is used when you want to know the time code of the recorded scene or the counter data of the counter display.

2 <RESET> button

Resets the counter data of the counter display to [00:00:00:00].

To return the real time data to factory settings, set the <TCG> switch to <SET> and press the <RESET> button. Both the time code data and user bits data are reset to 0.

3 <DISPLAY> switch

Displays the counter data, time code, or user bits in the counter of the display window according to the setting position of the <DISPLAY> switch and the <TCG> switch.

<UB>: Displays the user bits.

<TC>: Displays the time code.

<COUNTER>: Displays the counter data.

4 <TCG> switch

Sets the advance mode for the built-in time code generator.

<F-RUN>: Use this to advance the time code continuously regardless of the memory card recording operation. Set to this position to, for example, set the time code to the current time or externally lock the time code.

<SET>: Use this to set the time code or user bits.

<R-RUN>: Use this to advance the time code only when recording. The time codes will remain continuous when recording continuously between memory cards.

5 <GENLOCK IN> terminal

Inputs reference signals when the camera unit is genlocked or when the time code is externally locked.

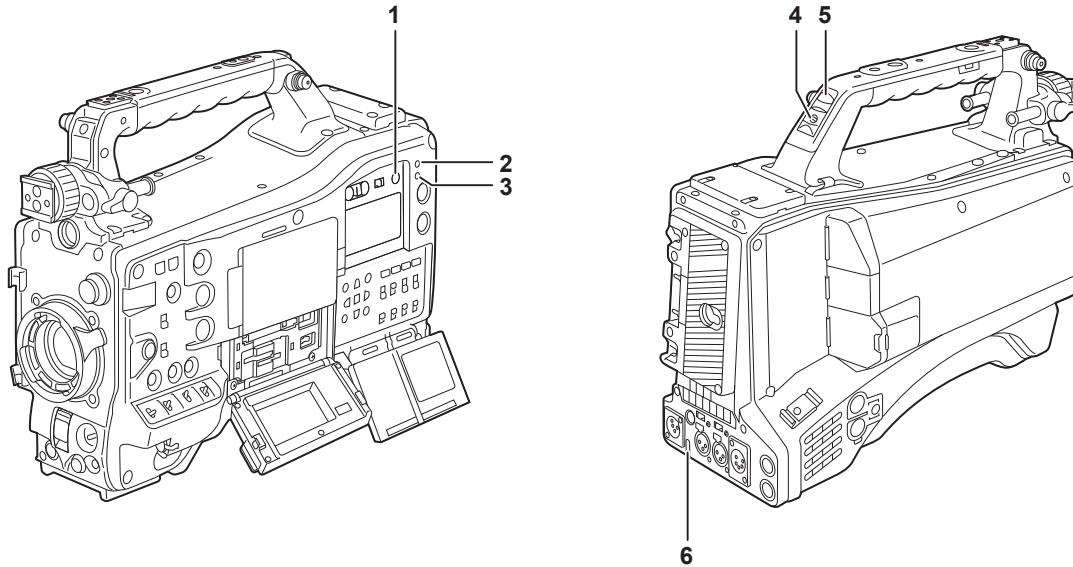
6 <TC IN/OUT> terminal

Connects to an external equipment and output/input a time code.

Inputs the standard time code when locking the time code with an external equipment.

Input and output are set in the [RECORDING] menu → [TC/UB] → [TC IN/OUT SEL].

Warning and status display section



1 <BRIGHT> button

Controls the brightness of the display window.

The brightness is switched in two levels every time the <BRIGHT> button is pressed.

Regardless of the previous setting, it will display in dark setting when the power is turned on.

2 <WARNING> lamp

Flashes or illuminates if something unusual occurs in the memory.

3 <STREAMING> lamp

Illuminates in orange when the camera is streaming.

4 Back tally switch

Controls the action of the back tally lamp and the rear tally lamp.

<ON>: Enables the back tally lamp and the rear tally lamp.

<OFF>: Disables the back tally lamp and the rear tally lamp.

5 Back tally lamp

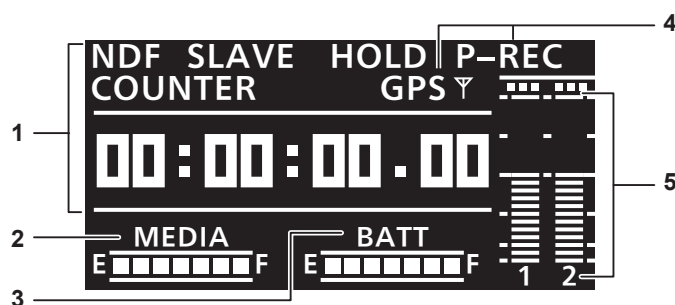
When the back tally switch is set to <ON>, the lamp acts in the same way as the front tally lamp at the viewfinder.

6 Rear tally lamp

When the back tally switch is set to <ON>, the lamp acts in the same way as the back tally lamp.

Display inside the display window

Display of remaining memory card capacity, remaining battery level, and recording level



1 Time code indications

[NDF]	Displayed when the time code is in the non-drop frame mode.
[DF]	Displayed when the time code is in the drop frame mode.
[SLAVE]	Displayed when the time code is externally locked.
[HOLD]	Displayed when the time code generator/read value is held.
[COUNTER]/[CLIP]	Displays as follows while playing back and not playing back when <COUNTER> is selected by the <DISPLAY> switch. While playing back: Displays [CLIP]. Not playing back: Content of display differs depending on the [RECORDING] menu → [REC COUNTER] setting. <ul style="list-style-type: none"> • [TOTAL]: Displays [COUNTER]. • [CLIP]: Displays [CLIP].
[TCG]	Displays when <TC> is selected by the <DISPLAY> switch and the TC generator value (h:min:sec:frm) is displayed.
[TCR]	Displays when <TC> is selected by the <DISPLAY> switch and the TC read value is displayed.
[UBG]	Displays when <UB> is selected by the <DISPLAY> switch and the UB generator value is displayed.
[UBR]	Displays when <UB> is selected by the <DISPLAY> switch and the UB reader value is displayed.
Time counter display	Displays the time code/user bits/counter data.

2 Remaining memory card capacity display bar

Displays the remaining memory card capacity with seven segments.

The remaining memory card capacity time indicated by one segment is approximately three minutes. Segments go out one by one approximately every three minutes.

3 Remaining battery level display bar

Displays the remaining battery level with seven segments.

When a battery with a digital indication (% indication) is used, all seven segments up to the [F] position light if the remaining battery level is 70% or higher.

When the remaining battery level falls below 70%, the segments go out one by one for each 10% drop.

4 Mode display

[P-REC]	Displays when set to the [RECORDING] menu → [PRE REC] → [ON].
[i-REC]	Displays when set to the [RECORDING] menu → [REC FUNCTION] → [REC MODE] → [INTERVAL].
[GPS] ∇	[GPS] is displayed when the [OTHERS] menu → [GPS] → [ON] is set. ∇ illuminates after positioning is complete.

5 Audio channel level meter

When the audio channel selector switch is set to <CH1/2>, [1] and [2] indicating the corresponding audio channels are displayed, and the recording level of the audio channel 1 and the audio channel 2 is displayed.

When the audio channel selector switch is set to <CH3/4>, [3] and [4] indicating the corresponding audio channels are displayed, and the recording level of the audio channel 3 and the audio channel 4 is displayed.

Chapter 3 **Preparation**

Before you use the camera, mount the battery and lens following the procedures in this chapter. The mounting of accessories is also described in this chapter.

Power supply

A battery or an external DC power supply can be used as the power supply for the camera.

To use a battery

Connection of the following batteries to the camera has been verified.

■ Anton/Bauer battery

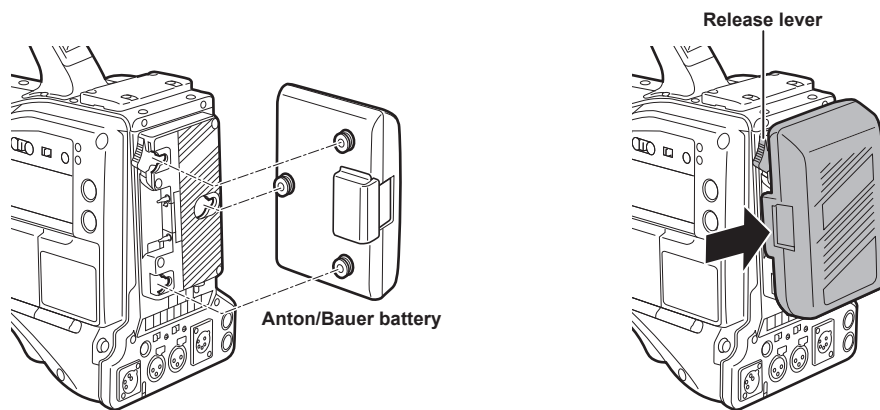
Dionic/Hytron/Titon/Digital series

NOTE

- Other batteries are supported by selecting the [OTHERS] menu → [BATTERY] → [ONBOARD BATTERY] → [BATTERY SEL] → [other]. Use of batteries that are already verified as connectable to the camera is recommended.
- Before you use a battery, charge it with a battery charger. (For details on charging, refer to each instruction operation.)
- When using the light (Ultralight 2), using a battery of 90 Wh or more is recommended.

Attaching and setting the battery

Using Anton/Bauer batteries



- 1 Mount the Anton/Bauer battery.**
- 2 Insert the battery terminal and slide in the direction of the arrow.**
- 3 Set the battery type.**

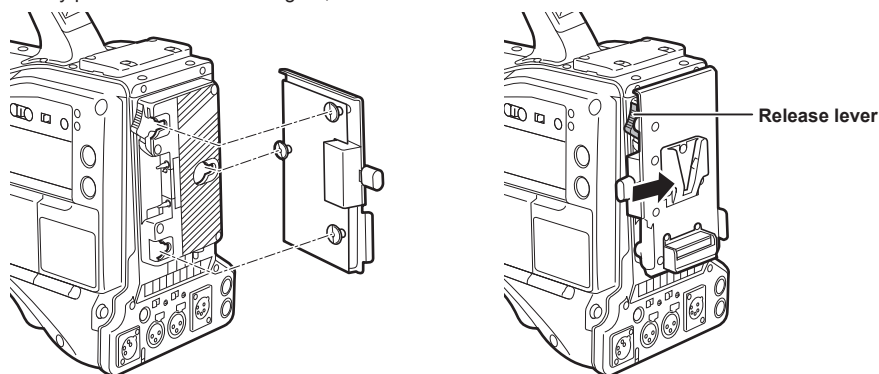
Select the type of the battery in the [OTHERS] menu → [BATTERY] → [ONBOARD BATTERY] → [BATTERY SEL].

NOTE

- When removing the battery, keep the release lever of the battery holder completely down, slide the battery in the opposite direction of when you mounted it.

Using V-mount type batteries

Mount the V-mount type battery plate. As shown in the figure, insert and slide in the direction of the arrow.



1 Mount the V-mount type battery plate.

2 Slide in the direction of the arrow.

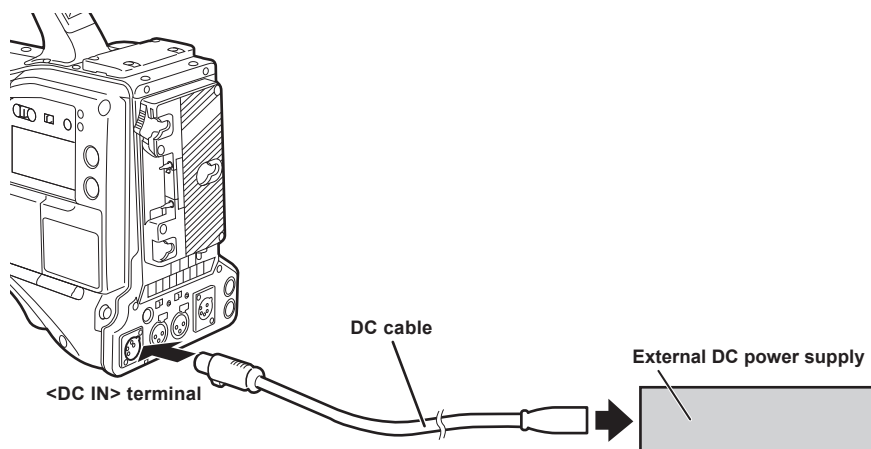
3 Set the battery type.

- Set the type of the battery in the [OTHERS] menu → [BATTERY] → [ONBOARD BATTERY] → [BATTERY SEL].

NOTE

- Contact your dealer for information about the V-mount type battery plate.
- When the V-mount type battery plate is used, % (percent) is not displayed even if batteries with a battery level indicator function are used.
- When removing the plate, keep the release lever of the battery holder completely down, slide the plate in the opposite direction of when you mounted it.
- When using a battery that is not in the [BATTERY SEL], set to [other], and set [FULL VOLT]/[NEAR END VOLT]/[END VOLT] according to the characteristics of the battery.

Using external DC power supply



1 Connect the external DC power supply to the <DC IN> terminal of the camera.

2 Turn on the power switch of the external DC power supply (if the external DC power supply has a power switch).

3 Turn the power switch of the camera to < | > (ON).

■ External DC power supply

Connect after making sure that the output voltage of the external DC power supply is compatible with the rated voltage of the camera.

Select an output amperage for the external DC power supply with a margin above the total amperage of the connected devices.

The total amperage of connected devices can be calculated with the following formula.

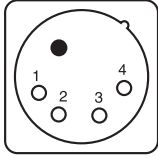
Total power consumption ÷ Voltage

When the power of the camera is turned on, inrush current is generated. Insufficient power supply when turning on the power may cause a malfunction. We recommend that you use an external DC power supply that can assure double the capacity of the total power consumption of the camera and connected devices that are turned on by interlock when the power of the camera is turned on (such as lenses, wireless microphone receivers). For the DC cable, use a dual-core shielded wire of AWG18 (nominal cross section area 0.824 mm²) or thicker.

- Make sure of the pin alignment of the DC output terminal of the external DC power supply and the camera <DC IN> terminal, and connect the polarity correctly.

If the +12 V power supply is connected to the GND terminal in error, it may cause fire or malfunction.

DC IN	
1	GND
2	NC
3	NC
4	+12 V
Panasonic Parts No.: K1AA104H0038 Manufacturer Parts No.: HA16RX-4P (SW1) (76) (Hirose Electric Co.)	



NOTE

- When both the battery and the external DC power supply are connected, the power supply from the external DC power supply has priority. The battery may be removed while using the external DC power supply.
- When using an external DC power supply, always turn the power switch of the external DC power supply on before turning the power switch of the camera to < | > (ON). If the operations are performed in reverse, the camera may malfunction because the external DC power supply output voltage rises too slowly.
- When power is supplied from the <DC IN> terminal, the light circuit does not function. The light circuit can be used only when power is supplied from the Anton/Bauer battery plate.
- When connecting a battery to the <DC IN> terminal, set to the [OTHERS] menu → [BATTERY] → [DC IN SOURCE] → [BATTERY], and then set the voltage with the [OTHERS] menu → [BATTERY] → [DC IN BATTERY]. However, in that case, % display is not possible for batteries with a battery level indicator function.
- Turn the power off of the camera before attaching or removing the lens cable.

Mounting and adjusting the lens

Mounting the lens

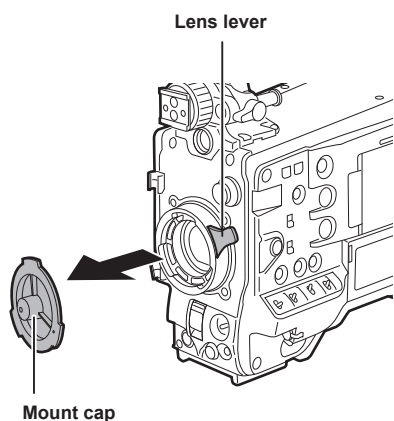


Fig. 1

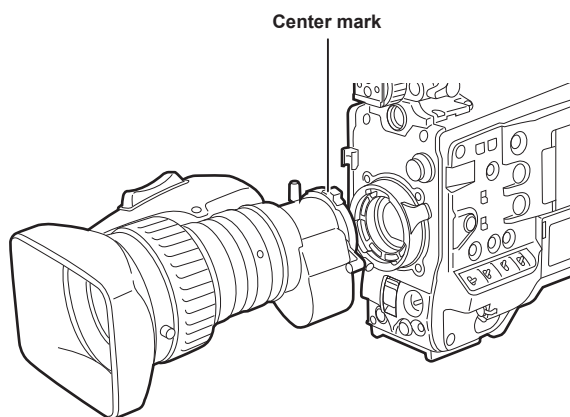


Fig. 2

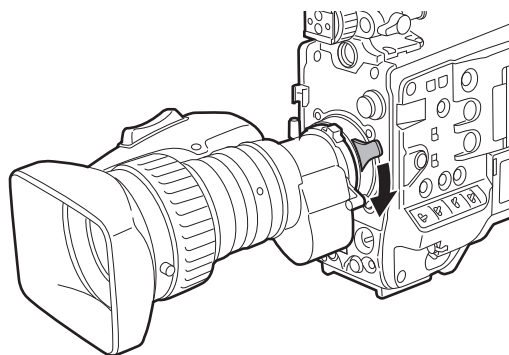


Fig. 3

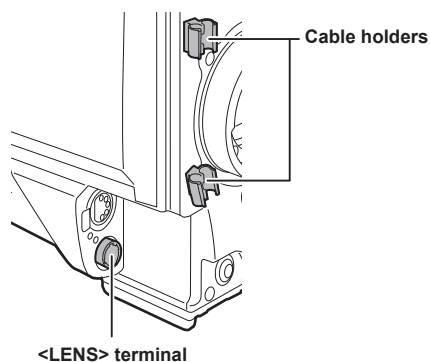


Fig. 4

- 1** Raise the lens lever and remove the mount cap. (Fig. 1)
- 2** Align the indentation at the top center of the lens mount with the center mark of the lens to mount the lens. (Fig. 2)
- 3** Lower the lens lever to firmly clamp the lens. (Fig. 3)
- 4** Secure the cable through the cable holder and connect it to the <LENS> terminal. (Fig. 4)
- 5** Perform lens flange back adjustments.

For details, refer to “Adjusting lens flange back” (page 38).

NOTE

- For handling the lens, refer to the lens operating instructions.
- For details regarding the current from the <LENS> terminal, refer to “Details of the connector signals” (page 218).
- When the lens is removed, install the mount cap to protect the device.

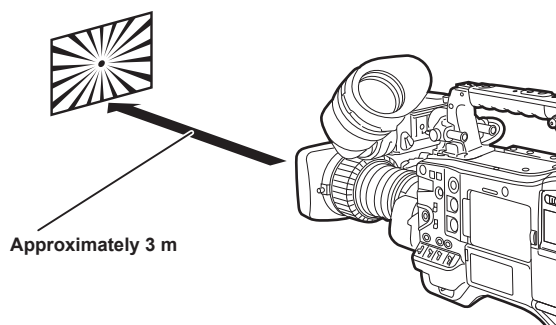
Adjusting lens flange back

If images are not clearly focused at both telephoto and wide-angle positions during zoom operations, adjust the flange back (distance from the lens mounting surface to the image formation surface).

Once adjusted, the flange back does not need to be readjusted until the lens is changed.

NOTE

- Refer to the lens operating instructions for guidance on adjustment methods and positions of lens parts.



1 Mount the lens on the camera.

Make sure to connect the lens cable.

2 Set the lens iris to manual, and fully open the iris.

3 Place the flange back adjustment chart approximately 3 m from the lens and adjust the lighting on the chart to obtain an appropriate image output level.

If the image level is too high, use the filters or the shutter.

4 Loosen the F.f (Flange focus) ring clamping screw.

5 Set the zoom ring to the telephoto end position, either manually or by electric drive.

6 Aim the lens at the flange back adjustment chart and turn the distance ring to bring the chart into focus.

7 Set the zoom ring to the wide-angle end position and turn the F.f (Flange focus) ring to bring into focus.

At this time, do not move the distance ring.

8 Repeat steps 5 to 7 until the lens is in focus at both the telephoto and wide-angle positions.

9 Firmly tighten the F.f (Flange focus) ring clamping screw.

NOTE

- F.b (Lens flange back) ring may be indicated on some lenses as the F.f (Flange focus) ring.

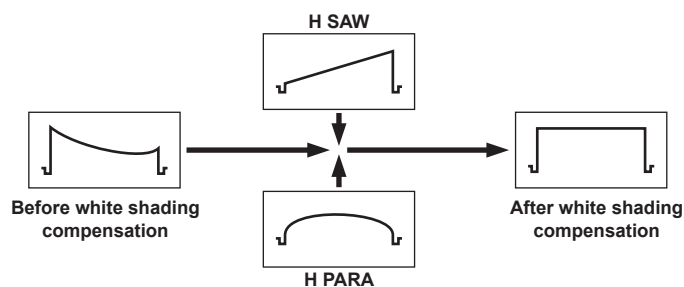
White shading compensation function

Adjusting the white shading

This is a method of combining the sawtooth shaped waveform and parabola waveform to compensate to a flatter waveform based on the respective R, G and B waveforms of the video signal.

We recommend adjusting the R, G and B waveforms in the horizontal and vertical directions while monitoring them on the waveform monitor.

Before adjusting the white shading, make sure to cancel [DS.GAIN] and [D.ZOOM] set to the USER button.



1 Set the camera for adjustment.

- Mount the lens on the camera.
 - Make sure to connect the lens cable.
- Set the <SHUTTER> switch to <OFF>, and the <GAIN> switch to <L> (0 dB).
- If the lens is equipped with an extender function, release the extender function.

- 4) Confirm that the [SCENE FILE] menu → [GAMMA MODE SEL] → [HD] is set.
- 5) Confirm that the [VIDEO OUT/LCD/VF] menu → [EI ASSIST] is set to as follows.
 - Change the setting if it is different.
 - [ZEBRA1 DETECT]: [70%]
 - [ZEBRA2 DETECT]: [85%]
 - [ZEBRA2]: [SPOT]
- 6) Set the <ZEBRA> switch in the viewfinder to <ON>.

2 Set the screen.

- 1) Shoot a white sheet of paper with no unevenness of color for the whole screen.
- 2) Set the lens aperture to manual, and adjust it so that the zebra pattern covers the whole viewfinder screen.
 - Make sure that the lens aperture control is between F4 to F11.
 - Adjust the position of the lighting because the zebra pattern will not cover the whole screen if there is any unevenness in the lighting.
 - Make adjustments to avoid several light sources of different color temperature (e.g. fluorescent lights and halogen lamp) from illuminating on the white paper.

3 Adjust the white balance/black balance.

- 1) Set the <WHITE BAL> switch to <A> or , and use the <AUTO W/B BAL> switch to adjust white balance automatically (AWB).
- 2) Use the <AUTO W/B BAL> switch to adjust black balance automatically (ABB).
- 3) Use the <AUTO W/B BAL> switch to adjust white balance automatically (AWB) again.

4 Perform the steps 2 - 2) again.

5 Adjust white shading.

Set all of the following items in the [CAMERA] menu → [WHITE SHADING] to generate a waveform as flat as possible.

- [R H SAW]
- [R H PARA]
- [R V SAW]
- [R V PARA]
- [G H SAW]
- [G H PARA]
- [G V SAW]
- [G V PARA]
- [B H SAW]
- [B H PARA]
- [B V SAW]
- [B V PARA]

6 If the lens is equipped with an extender function, turn on the extender function and repeat steps 2 to 5.

Adjustment values are stored on the camera as a single lens file data using two patterns for when the lens is equipped and not equipped with the extender function.

Adjustment values are saved in memory, so there is no need to re-adjust white shading even after turning the camera off.

NOTE

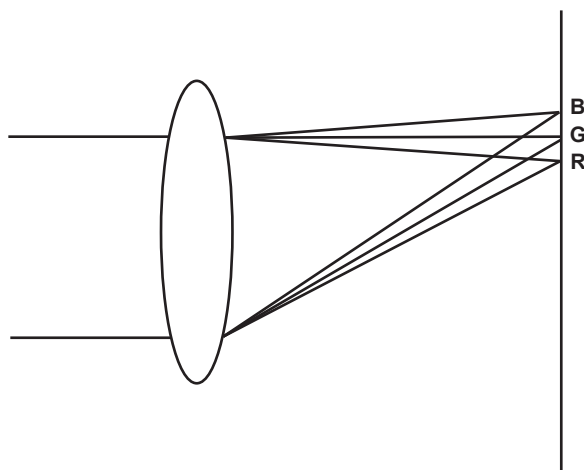
- Coloring may occur in the vertical direction near where the lens aperture is open (OPEN) even when the white shading has been adjusted, but this is something that is inherent to optical systems. This is not a malfunction.
- Since fluorescent lights, mercury lamps, and other such kinds of lighting tend to flicker, use a light source which is less subject to flickering such as sunlight or a halogen lamp.
- Make adjustments to the position of the lighting, etc. when the lens aperture is not between F4 and F11.
- Make sure to leave the <SHUTTER> switch at <OFF>.

Chromatic aberration compensation function (CAC)

The chromatic aberration compensation function minimizes color smearing in peripheral images. The registration error that is caused mainly due to slight chromatic aberration that cannot be completely compensated by the lens is automatically compensated by the camera.

The chromatic aberration compensation function will automatically start to operate when a chromatic aberration compensation function compatible lens is mounted.

What is lens chromatic aberration?



“Chromatic aberration” here refers to zoom factor chromatic aberration. Zoom factor chromatic aberration occurs since the refraction ratio of a lens differs according to red (R)/green (G)/blue (B). Chromatic aberration on the lens itself is compensated for, but still remains in the periphery, in particular. Also, this chromatic aberration occurs on zoom lens due to a complex relationship between zoom ratio, aperture and focal distance. In image terms, this is registration error.

Chromatic aberration compensation function

Mount the chromatic aberration compensation function compatible lens to compensate the chromatic aberration. The chromatic aberration compensation function will automatically operate. Or, store the chromatic aberration characteristics of the lens regarding zoom ratio, aperture, and focal distance to the camera beforehand. Connect a lens that matches those chromatic aberration characteristics, and perform compensation matched to the zoom ratio, aperture and focal distance of that lens.

NOTE

- For details on additions and modifications to lenses compatible with the chromatic aberration compensation function, visit the support desk at the following website:
<https://pro-av.panasonic.net/>

Operation of chromatic aberration compensation function

Operate in following steps when a chromatic aberration compensation function compatible lens is mounted to the camera.

1 Mount the lens on the camera, and connect the lens connector to the camera.

2 Set to the [CAMERA] menu → [CAC ADJ.] → [CAC CONTROL] → [ON].

The chromatic aberration compensation data is read from the lens and the chromatic aberration compensation function will operate automatically when the camera is turned on.

If the lens model number stored on the camera matches the model number of the connected lens, the chromatic aberration data stored on the camera will automatically be read on a preferential basis.

Viewing the operation status of chromatic aberration compensation function

1 Push the <MARKER SEL>/<MODE CHECK> switch towards the <MCK> side with the menu not displayed in the viewfinder screen.

If the letters [CAC] are displayed at the top right of the viewfinder screen, the chromatic aberration compensation function is in operation.

If the letters [CAC] are not displayed, the chromatic aberration compensation function is not in operation.

2 Set to the [VIDEO OUT/LCD/VF] menu → [INDICATOR] → [CAC] → [ON].

The letters [CAC] are displayed at the top right of the viewfinder screen.

This is set to [ON] as the factory setting.

Loading the chromatic aberration compensation file from the SD card

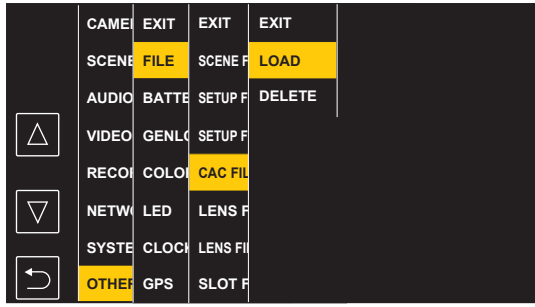


Fig. 1

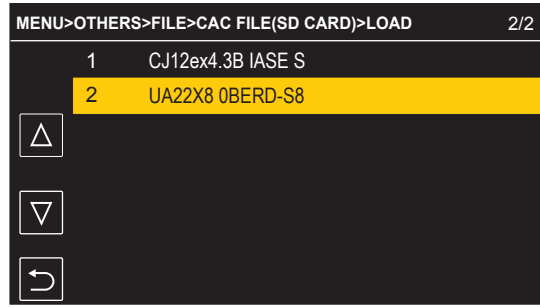


Fig. 2

1 Insert the SD card with the chromatic aberration compensation data that was downloaded from our website into the card slot of the camera selected by the [OTHERS] menu → [FILE] → [SLOT FOR LOAD/SAVE].

For details on downloading, refer to the following website.
<https://pro-av.panasonic.net/>

2 Select the [OTHERS] menu → [FILE] → [CAC FILE(SD CARD)] → [LOAD]. (Fig. 1)

The list of CAC files on the SD card is displayed.

3 Select the file number to load. (Fig. 2)

The list of CAC files saved in camera memory is displayed.

4 Select the file number to save.

A confirmation screen is displayed.

5 Select [SET].

The CAC files are loaded to camera memory.

6 To store multiple chromatic aberration compensation data in the camera, repeat steps 2 to 5.

7 Press the <MENU> button to close the menu.

The menu is cleared and returns to the camera status display.

NOTE

- Up to 32 files can be loaded to the camera.
 To load a new file, delete any file before loading the new file.

Deleting the chromatic aberration compensation file from the camera

1 Set to the [CAMERA] menu → [CAC ADJ.] → [CAC CONTROL] → [OFF].

2 Select the lens model number to delete with [LIST/DELETE].

A confirmation screen is displayed.

3 Select [SET].

The file is deleted.

When the chromatic aberration compensation data is not functioning properly

When the chromatic aberration compensation function is not functioning properly, or when the chromatic aberration compensation data is not loaded normally, an error message is displayed on the viewfinder.

Error message	Meaning	Remedy
[CAC FILE DATA NOT FOUND]	There is no chromatic aberration compensation data matching the connected lens when the chromatic aberration compensation function is enabled. This is displayed when the camera is turned on.	Load chromatic aberration compensation data matching the connected lens to the camera.
[CAC LENS DATA INVALID]	The response data from the lens is not supported, or the response contains information other than that defined in the chromatic aberration compensation data.	The lens is not a lens compatible with the chromatic aberration compensation function. The chromatic aberration compensation will not function, but will not cause any problems in use.
[LENS INITIALIZATION NOT COMPLETED]	Position detection (focus zoom) of the lens is encoder type, and initialization is not completed.	Turn the focus/zoom ring to pass through the center of the operating range.

NOTE

- When mounting lens optical system accessories (converter lens attachments), the chromatic aberration compensation function sometimes does not function properly since the optical characteristics of the lens change. In this case, set the chromatic aberration compensation function to [OFF].
- When a focus servo is used on CANON lenses, enable recording after initialization is completed in the automatic initialization mode. Data is sometimes recording while the focus ring is moving.

- When an error message is also not displayed while the chromatic aberration compensation function is not functioning, the software version of the lens might be old. Contact the manufacturer of the lens you are using.

Preparing for audio input

Prepare the camera for connecting audio input devices.

Using the front microphone

Microphones such as the stereo microphone kit AJ-MC900G (optional) can be mounted.

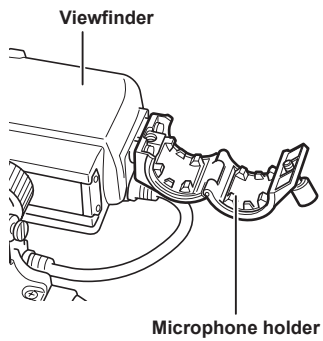


Fig. 1

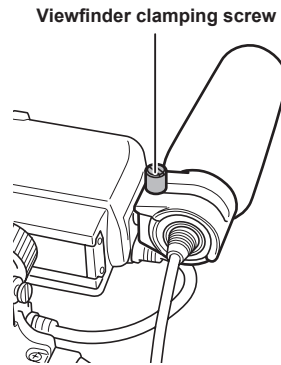


Fig. 2

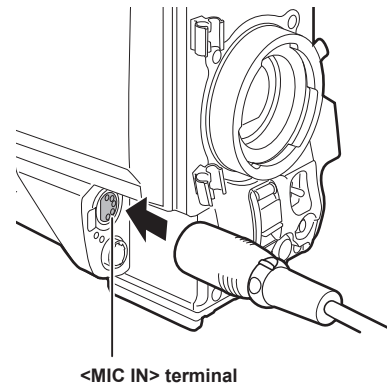


Fig. 3

- 1** Open the microphone holder. (Fig. 1)
- 2** Mount the microphone and tighten the viewfinder clamping screw. (Fig. 2)
Mount with the UP indication on the microphone facing up.
- 3** Connect the microphone cable to the <MIC IN> terminal on the camera. (Fig. 3)
- 4** Switch the <AUDIO IN CH1> to <AUDIO IN CH4> switches to <FRONT> in accordance to the audio channel to record.

Using the wireless microphone receiver

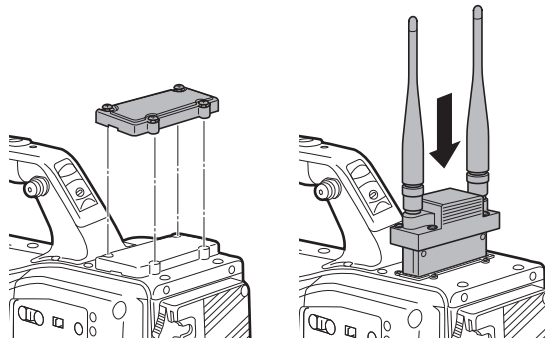


Fig. 1

- 1** Remove the cover to insert the wireless microphone receiver and secure it with the screws. (Fig. 1)
- 2** Switch the <AUDIO IN CH1> to <AUDIO IN CH4> switches to <W.L.> in accordance to the audio channel to record.
- 3** When using the 2-channel wireless microphone receiver, set to the [AUDIO] menu → [INPUT SETTINGS] → [WIRELESS TYPE] → [DUAL].

Using audio devices

- 1** Connect the audio equipment to the <AUDIO IN CH1/3> or <AUDIO IN CH2/4> terminal of the camera with the XLR cable.
- 2** According to the channel the XLR cable is connected, set the <AUDIO IN CH1> to <AUDIO IN CH4> switches to <REAR>.
- 3** Set the <LINE>/<MIC> selector switch on the rear panel to <LINE>.

Mounting accessories

Mounting the camera on a tripod

When mounting the camera on a tripod, use the optional tripod adaptor (SHAN-TM700).

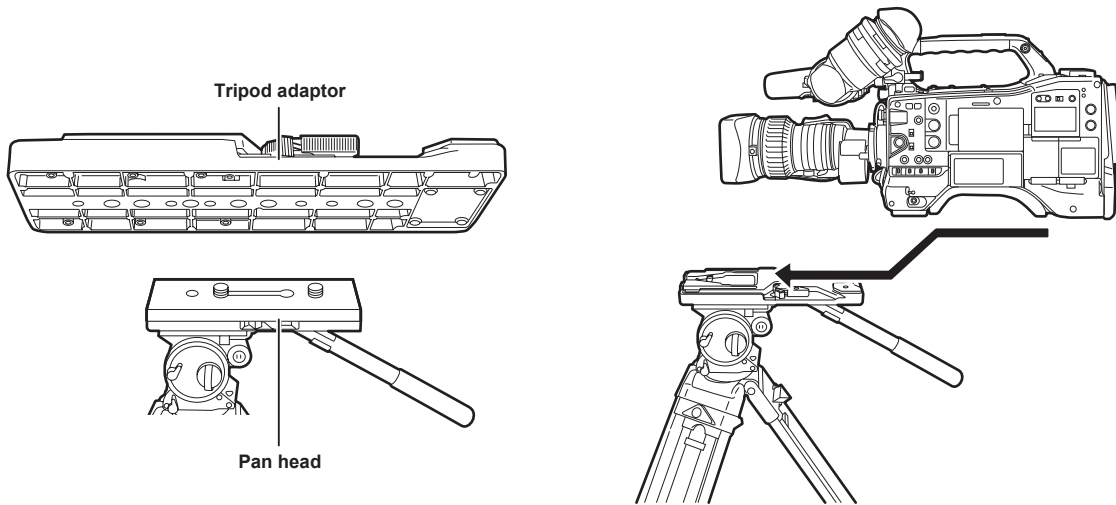


Fig. 1

Fig. 2

1 Mount the tripod adaptor on the tripod. (Fig. 1)

2 Mount the camera on the tripod adaptor. (Fig. 2)

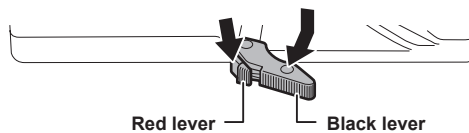
Slide the camera forward along the grooves until you hear a click.

NOTE

- Select an appropriate hole in the adaptor, taking into account the center of gravity of the camera and tripod adaptor combined. Also, make sure that the diameter of the selected hole matches the diameter of the pan head screw.

Removing the camera from the tripod adaptor

While holding the red lever down, move the black lever in the direction of the arrow, and slide the camera backward to remove it.



Red lever

Black lever

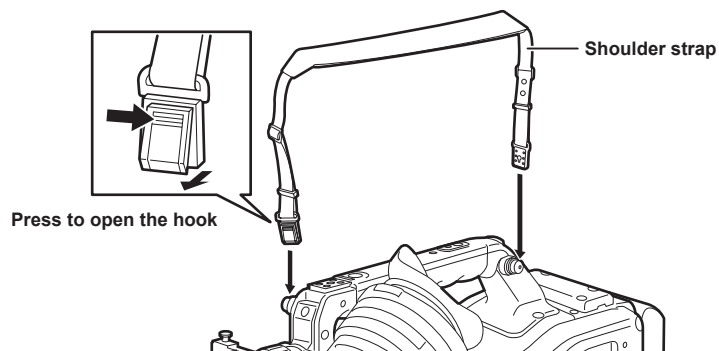
NOTE

- If the tripod adaptor pin does not return to its original position after the camera has been removed, hold the red lever down and move the black lever in the direction of the arrow again, in order to return the pin to its original position. Note that the camera cannot be mounted if the pin remains in the center.

Attaching the shoulder strap

Attach the shoulder strap to the shoulder strap fittings.

To detach the shoulder strap, first open the hooks, then detach the strap.



Shoulder strap

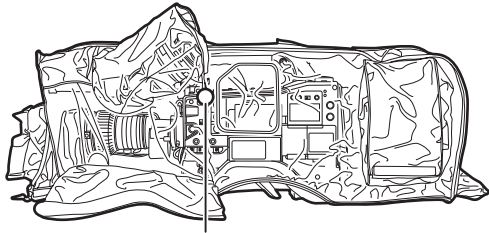
Press to open the hook

NOTE

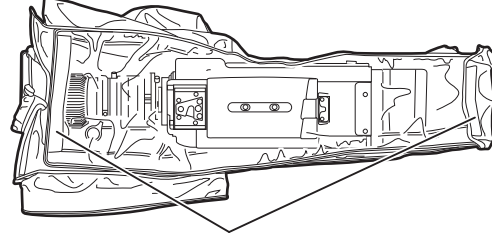
- Make sure that the shoulder strap is securely attached.

Attaching the rain cover

The figure below shows an example of use of the rain cover SHAN-RC700 (optional).



Tighten the cord



**Secure with the surface
fastener**

Charging the built-in battery

The date/time set in the camera is maintained by the built-in battery.

The built-in battery may be consumed when the power of the camera is not turned on for approximately a half year.

The built-in battery has been consumed if [BACKUP BATT EMPTY] is displayed in the viewfinder screen for approximately five seconds when the power switch is set to < | > (ON).

Charge the built-in battery with the following procedure.

1 Confirm that the power switch is set to < ⏻ > (standby).

2 Connect the battery or the external DC power supply to the camera.

For details on the connection of the battery or the external DC power supply, refer to “Power supply” (page 34).

3 Leave the camera for approximately four hours.

The built-in battery will be charged.

4 Set the power switch to < | > (ON), and confirm that [BACKUP BATT EMPTY] is not displayed in the viewfinder screen.

Replacement of the built-in battery is necessary when [BACKUP BATT EMPTY] is displayed in the viewfinder screen even after the built-in battery has been charged. Consult your dealer.

Setting the date/time of the internal clock

The date/time and time zone are recorded as metadata in the content (clip) while shooting. The date/time metadata will affect the playback order by the thumbnail.

Always check and set the date/time and time zone before using the camera.

Do not change the setting of the date/time and time zone while shooting.

1 Press the <MENU> button.

The menu is displayed.

2 Select the [OTHERS] menu → [CLOCK] → [TIME ZONE] and set the time difference from the Greenwich Mean Time.

3 Select the [OTHERS] menu → [CLOCK] → [CLOCK SETTING] and set the year, month, date, and time.

NOTE

- The accuracy of the clock is approximately ± 30 seconds per month. Check and reset the time when accurate time is required.

■ Time zone table

Time difference	Region	Time difference	Region
00:00	Greenwich	+01:00	Central Europe
-00:30		+01:30	
-01:00	Azores	+02:00	Eastern Europe
-01:30		+02:30	
-02:00	Mid-Atlantic	+03:00	Moscow
-02:30		+03:30	Tehran
-03:00	Buenos Aires	+04:00	Abu Dhabi
-03:30	Newfoundland	+04:30	Kabul
-04:00	Halifax	+05:00	Islamabad
-04:30	Caracas	+05:30	Mumbai
-05:00	New York	+06:00	Dakar
-05:30		+06:30	Yangon
-06:00	Chicago	+07:00	Bangkok
-06:30		+07:30	
-07:00	Denver	+08:00	Beijing
-07:30		+08:30	
-08:00	Los Angeles	+09:00	Tokyo
-08:30		+09:30	Darwin
-09:00	Alaska	+10:00	Guam
-09:30	Marquesas Islands	+10:30	Lord Howe Island
-10:00	Hawaii	+11:00	Solomon Islands
-10:30		+11:30	
-11:00	Midway Islands	+12:00	New Zealand
-11:30		+12:45	Chatham Islands
-12:00	Kwajalein Atoll	+13:00	Phoenix Islands
+00:30			

Inspections before shooting

Before recording, perform the following inspection to ensure that the system operates properly. It is recommended that you check the image using a color video monitor.

Preparing to inspect

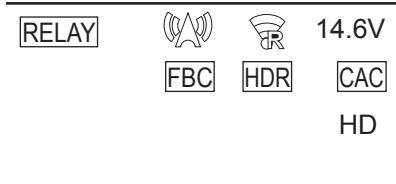


Fig. 1

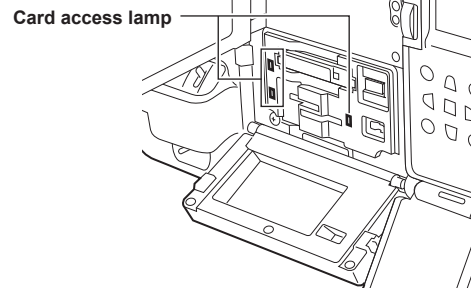


Fig. 2

- 1 Attach an adequately charged battery.**
- 2 Set the power switch to < | > (ON) and confirm following items.**
 - [BACKUP BATT EMPTY] is not displayed in the viewfinder screen.
 - Level of the battery is sufficient in the status display in the control panel. (Fig. 1)
- 3 From the [RECORDING] menu → [REC MEDIA], select the card slot to record to.**
- 4 Insert the memory card into the card slot.**
- 5 Confirm that the card access lamp of the card slot that the memory card is inserted is illuminated in orange. (Fig. 2)**
 - When microP2 cards or SD cards are inserted in the card slot 2 and the card slot 3, only the card access lamp of the card slot that was inserted first (completed the access first) will illuminate in orange. The card access lamp of the card slots inserted after will illuminate in green.
 - The memory card cannot be recorded when the card access lamp of the card slot that the memory card is inserted is flashing in green or not illuminated.
 - The card access lamp will not illuminate in orange even if a memory card is inserted when the recording format setting does not match with the inserted memory card.
In such case, match the media of the recording target in the [RECORDING] menu → [REC MEDIA].
- 6 Close the slot cover.**

Inspecting the camera unit

- 1 Set the zoom to the electric zoom mode and check the behavior of the electric zoom.**
Ensure that the image changes between telescopic and wide-angle.
- 2 Set the zoom to the manual zoom mode and check the behavior of the manual zoom.**
Rotate the manual zoom lever and ensure that the image changes between telescopic and wide-angle.
- 3 Set the iris to automatic adjustment mode, and ensure that the automatic adjustment works when the lens is pointed at objects with different degree of brightness.**
- 4 Set the iris to manual mode and rotate the iris ring to check the manual iris adjustment.**
- 5 Set the iris back to automatic adjustment mode, and check the followings by switching the <GAIN> switch setting to <L>, <M>, and then <H>:**
 - The iris is adjusted for objects with same degree of brightness as the setting changes.
 - The gain value display on the viewfinder screen changes as the setting changes.
- 6 If a lens with an extender function is attached, set the extender to its usage position to ensure that it works properly.**

Inspecting the memory recording functions

Perform procedures from “Inspecting the memory card recording” to “Inspecting the earphones and built-in speaker” successively.

Inspecting the memory card recording

- 1 Confirm that the remaining memory card capacity is sufficient with the display in the viewfinder screen.**
For details, refer to “Screen display during shooting” (page 143).
- 2 Press the <REC> button and check the following:**
 - The card access lamp of the card slot the memory card is inserted flashes in orange.
 - The [REC] lamp in the viewfinder illuminates.

- Warning is not displayed in the viewfinder screen.

3 Press the <REC> button again.

Confirm that the card access lamp illuminates in orange and the [REC] lamp inside the viewfinder turns off.

4 Use the <VTR> button on the lens and confirm the same operation as steps 2 to 3.

5 Press the <BRIGHT> button to confirm that the display brightness of the display window is switched.

6 Press the <THUMBNAIL> button to switch to the thumbnail screen, and from the thumbnail, play back the clip you just recorded.

Ensure that the clip plays back properly.

7 When two microP2 cards or SD cards are inserted in the card slots, switch the target card slot by pressing the USER button assigned with [SLOT SEL].

Perform steps 2 to 3 and step 6 and confirm that the recording and playback functions operate properly.

Inspecting the recording level automatic adjustment function

1 Set the <AUDIO SELECT CH1/3>/<AUDIO SELECT CH2/4> switch to <AUTO>.

2 Set the <AUDIO IN CH1>/<AUDIO IN CH2> or <AUDIO IN CH3>/<AUDIO IN CH4> switch to <FRONT>.

3 Point the microphone connected to the <MIC IN> terminal to an appropriate audio source, and confirm that the audio level meter changes in accordance with the intensity of the sound.

Inspecting the recording level manual adjustment function

1 Set the <AUDIO IN CH1>/<AUDIO IN CH2> or <AUDIO IN CH3>/<AUDIO IN CH4> switch to <FRONT>.

2 Set the <AUDIO SELECT CH1/3>/<AUDIO SELECT CH2/4> switch to <MANU>.

3 Turn the <AUDIO LEVEL CH1/3>/<AUDIO LEVEL CH2/4> dial.

Turn to the right to increase the level display.

Inspecting the earphones and built-in speaker

1 Turn the <MONITOR> dial and confirm that the built-in speaker volume changes.

2 Connect earphones to the <PHONES> terminal.

Confirm that the built-in speaker is muted and the output from the microphone is directed to the earphones.

3 Turn the <MONITOR> dial and ensure that the earphones volume changes.

Inspections for using an external microphone

1 Connect the external microphone to the <AUDIO IN CH1/3> terminal or <AUDIO IN CH2/4> terminal.

2 Set the <AUDIO IN CH1>/<AUDIO IN CH2> switch to <REAR>.

3 Toggle the microphone input power selector switch according to the power supply method for the external microphone.

- Selection items
 - <+48V>: Microphone with an external power supply method
 - <OFF>: Microphone with an internal power supply method

4 Point the microphone to an appropriate audio source, and confirm that the audio level meter changes in accordance with the intensity of the sound.

It can also be confirmed for each audio channel by connecting one microphone to each audio channel.

Inspections for the clock, time code, and user bits

1 Set the user bits as needed.

For details, refer to "Setting user bits" (page 139).

2 Set the time code.

For details, refer to "Setting time code" (page 140).

3 Set the <TCG> switch to <R-RUN>.

4 Press the <REC> button.

Ensure that the recording starts and the number in the counter display changes.

5 Press the <REC> button again.

Ensure that the recording stops and the number in the counter display stops changing.

6 Set the <TCG> switch to <F-RUN>.

Ensure that the number in the counter display changes regardless of the recording status.

7 Set the <DISPLAY> switch to <UB>.

Ensure that the user bits displayed in the counter display area is correct.

8 Ensure that the time zone, date, and time are correct by selecting the [OTHERS] menu → [CLOCK] → [TIME ZONE]/[CLOCK SETTING].

Preparing the memory card

Memory cards supported on the camera

Following expressP2 card, microP2 card, and SD card can be used with the camera. (As of April 2020)

Type of the expressP2 card	Recording capacity
expressP2 card A series	256 GB
expressP2 card B series	256 GB, 512 GB
expressP2 card C series	256 GB, 512 GB

Type of the microP2 card	Recording capacity
microP2 card A series	32 GB, 64 GB
microP2 card B series	64 GB

- The camera does not support the CPS (Content Protection System) function of the P2 card, so a P2 card formatted with encryption with CPS password cannot be used. When formatted with the camera, it can be used as a P2 card that is not encrypted.

Type of the SD card	Recording capacity
SDXC memory card	48 GB - 256 GB

- The following memory cards cannot be used because they do not comply with the SD standards.
 - A memory card with 48 GB or more without the SDXC logo
- Operation is not guaranteed for any memory cards other than the above.
- Panasonic memory cards are recommended.
- Following memory cards cannot be used.
 - P2 memory card
 - microP2 card with microP2 card adaptor attached

Speed Class during shooting

The type of the memory card to use differs depending on the recording mode and the recording format.



Use memory cards compatible with the Speed Class, UHS Speed Class, or Video Speed Class.

The recording may stop suddenly when a memory card not compatible with the required Speed Class is used.

- Speed Class, UHS Speed Class, and Video Speed Class are the speed specification regarding continuous writing. Check the display on the label and other information on the memory card.

■ When the recording mode is P2

Uses expressP2 card and microP2 card.

Recording bit rate or recording function	Type of memory card	Example of the logo display
Memory card types supported on the camera	expressP2 card microP2 card	 

NOTE

- It is possible to record to SDXC memory cards in P2 format but is only for emergency recording and is not supported.

■ When the recording mode is MOV

expressP2 card, 64 GB microP2 card, and SDXC card can be used.

SDHC card, 32 GB microP2 card cannot be used.

Recording bit rate or recording function	Type of memory card and Speed Class	Example of the logo display
400 Mbps	Video Speed Class V60 or higher Or the expressP2 card, microP2 card B series	V60
200 Mbps	Video Speed Class V30 or higher, UHS Speed Class 3 or higher Or the expressP2 card, microP2 card	V30
150 Mbps		U3
100 Mbps	Video Speed Class V10 or higher, UHS Speed Class 1 or higher, Speed Class 10 or higher Or the expressP2 card, microP2 card	V10
50 Mbps		U1
		CLASS10 10

Memory cards

Inserting the memory card

When using the camera for the first time, be sure to set the time data beforehand. (page 47)

This camera uses the card slot 1 dedicated for a expressP2 card, and the card slot 2/3 for a microP2 card or a SD card.

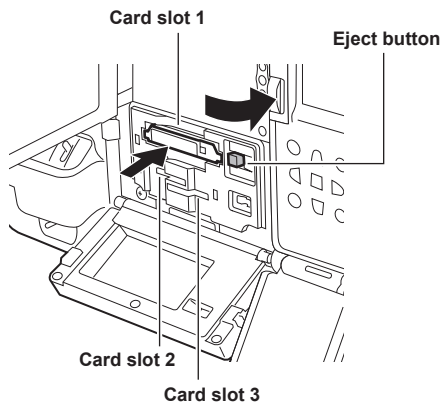


Fig. 1

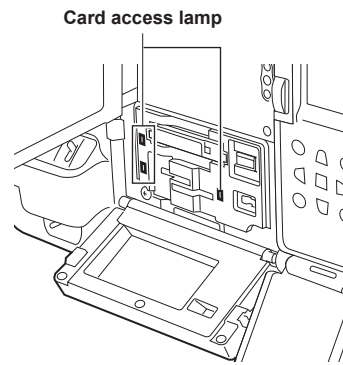


Fig. 2

1 Set the power switch to **< | >** (ON).

2 Set which of expressP2 card or microP2 card to be used.

Select in the [RECORDING] menu → [REC MEDIA] → [expressP2]/[microP2/SD].

3 Open the slot cover.

4 Insert the memory card into the card slot. (Fig. 1)

- For expressP2 card
 - Insert with the logo facing up.
 - Push in the expressP2 card until the eject button pops out.
 - Press the eject button that pops up to the right.
- For microP2 card or SD card
 - Insert with the label side facing up.
- The status of the memory card is displayed with the card access lamp of the inserted card slot. (Fig. 2) (page 53)

5 Close the slot cover.

NOTE

- To prevent cards from falling out, dust from entering and reduce the risk of exposure to static electricity, close the slot cover before moving the camera.
- Be sure to format P2 cards only on a P2 device.
- microP2 card with microP2 card adaptor attached cannot be used.
- It may display [FORMAT ERROR CARD <SLOT 2>] or [REINSERT OR CHECK CARD <SLOT 2>] (corresponding card slot number is displayed) when a memory card is inserted slowly into the card slot 2 or the card slot 3, or when the terminal of the memory card is dirty. In such case, reinsert the memory card.

Removing the memory card

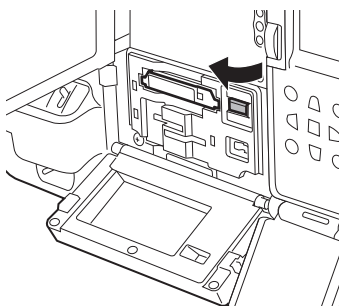


Fig. 1

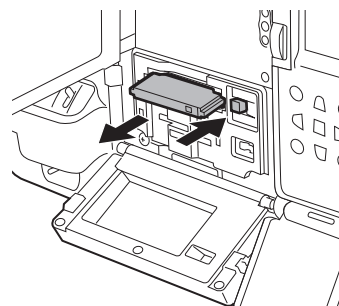


Fig. 2

1 Open the slot cover.

2 Remove the memory card.

- For expressP2 card
 - Lift the eject button (Fig. 1), and press in. (Fig. 2)
 - Remove the expressP2 card when it comes out from the slot.

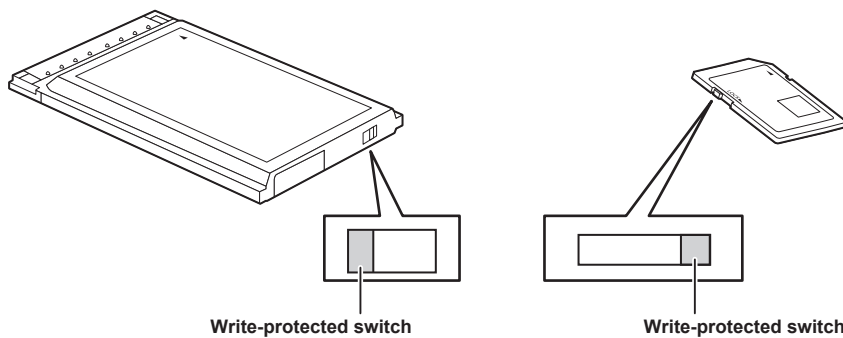
- For microP2 card or SD card
 - Press in the microP2 card or SD card further inside and let go.
 - Remove the microP2 card or SD card when it comes out from the slot.

NOTE

- Do not remove the memory card while it is being accessed or while the card access lamp is flashing in orange after it is inserted. Doing so may result in a malfunction.
- Turn off the power once when the memory card being accessed is removed.
- The clips may become invalid on the memory card that was removed while being accessed. Check the clips and restore them, if required. (page 173)
- The format of the removed memory card cannot be guaranteed when the memory card being formatted is removed. Turn off the power then back on again, and reformat the memory card.
- If a memory card is inserted into another card slot during playback, the inserted card is not recognized and the card access lamp does not illuminate. Recognition of the memory card will start after the playback ends.
- In following conditions, the memory card is not immediately recognized even if a memory card is inserted into a vacant card slot during recording:
 - Immediately after a pre-recording
 - Immediately after switching the recording target card slot
- The card access lamp can be set to off at all time by the [OTHERS] menu → [LED] → [ACCESS LED]. In such case, remove the memory card after turning off the power or after inserting the card or the operation (recording, playback, etc.) has stopped and sufficient time has passed.

Preventing accidental erasure

To prevent inadvertently erase the recording contents on the memory card, set the write-protected switch on the memory card to the Protect side or the LOCK side.



NOTE

- Set the write-protected switch before inserting the card. This will not operated when the write-protected switch is toggled after inserting the card.

Status of the card access lamp and the memory card

Card access lamp	Memory card status	
Is illuminated green	Recording possible	Both loading/writing are permitted.
Is illuminated orange	Recording target	Both loading/writing are permitted. Current recording target.
Flashing orange	Accessing card	Loading/writing are currently being performed.
Flashing orange rapidly	Recognizing memory card	The memory card is being recognized.
	Error	An error has occurred. This will flash even if the memory card is not inserted when an error has occurred.
Flashing green slowly	No remaining memory card capacity	Memory card has no remaining capacity. Only loading is possible.
	Write-protected	The write-protected switch on the memory card is set to the Protect side or the LOCK side. Only loading is possible.
	Unrecordable memory card	It cannot record with the recording format that is currently set. Change the recording format or use a memory card compatible with the recording format.
	Card slot that is not recording target	A memory card is inserted into the card slot not selected in the [RECORDING] menu → [REC MEDIA]. Only loading is possible.
Off	Illegal format	The memory card is not properly formatted. Reformat the card.
	No memory card inserted	A memory card has not been inserted.
	Invalid memory card	This is a memory card such as MMC (Multi Media Card) that cannot be used with the camera.
	Setting to the [NETWORK] menu → [NETWORK FUNC] → [NDI HX]	Cannot record and play back. The functions other than recording and playback (loading of the scene file, etc.) can be used.
	P2 card formatted with encryption with CPS password	Cannot be used with the camera. When formatted with the camera, it can be used as a P2 card that is not encrypted.
	During card reader mode	The card access lamp is turned off unless accessing.

Memory card recording time

When the recording mode is P2

Uses expressP2 card and microP2 card.

It is possible to record to SDXC memory cards in P2 format but is only for emergency recording and is not supported.

Recording format	Recording capacity	
	64 GB	
AVC-Intra 422/AVC-Intra 200/AVC-Intra 100 (1080-59.94p/50.00p)	Approx. 32 minutes	
AVC-Intra 100 (1080-59.94i/50.00i, 720-59.94p/50.00p)	Approx. 64 minutes	
AVC-Intra 50	Approx. 128 minutes	
AVC-LongG50	Approx. 128 minutes	
AVC-LongG25 (1080-59.94p/50.00p)	Approx. 128 minutes	
AVC-LongG25 (1080-59.94i/50.00i, 720-59.94p/50.00p)	Approx. 256 minutes	
AVC-LongG12 (1080-59.94p/50.00p)	Approx. 240 minutes	
AVC-LongG12 (1080-59.94i/50.00i, 720-59.94p/50.00p)	Approx. 480 minutes	

NOTE

- Clip is split every 4 GB for the data in P2 format.
However, when recording to a memory card exceeding 32 GB in AVC-Intra 422/AVC-LongG50/AVC-LongG25/AVC-LongG12 formats, recording can be continued as a same clip by selecting the [RECORDING] menu → [FILE SPLIT] → [ONE FILE]. Clip is split approximately every three hours when recording format is AVC-Intra 422. Clip is split approximately every three hours or approximately every 64 GB when recording format is AVC-LongG50/AVC-LongG25/AVC-LongG12.
These split clips are displayed as one clip in the thumbnail screen.
These may be displayed as separate clips in the nonlinear editing software or a computer.
- The recording is stopped once when the recording time reaches ten hours, and recording is automatically resumed after few seconds. Image and audio during the pause will not be recorded. This includes the case of special recording, such as relay recording.
- In the interval recording, the recording is stopped once when the length of a clip reaches ten hours, and recording is automatically resumed after few seconds.
- The camera does not support the CPS (Content Protection System) function of the P2 card, so a P2 card formatted with encryption with CPS password cannot be used. When formatted with the camera, it can be used as a P2 card that is not encrypted.

When the recording mode is MOV

expressP2 card, 64 GB microP2 card, and SDXC card can be used. 32 GB microP2 card cannot be used.

Recording format	Recording rate	Recording capacity	
		64 GB	128 GB
UHD	400 Mbps	Approx. 20 minutes	Approx. 40 minutes
	200 Mbps	Approx. 40 minutes	Approx. 1 hour 20 minutes
	150 Mbps	Approx. 55 minutes	Approx. 1 hour 50 minutes
	100 Mbps	Approx. 1 hour 20 minutes	Approx. 2 hours 40 minutes
FHD	200 Mbps	Approx. 40 minutes	Approx. 1 hour 20 minutes
	100 Mbps	Approx. 1 hour 20 minutes	Approx. 2 hours 40 minutes
	50 Mbps	Approx. 2 hours 40 minutes	Approx. 5 hours 20 minutes

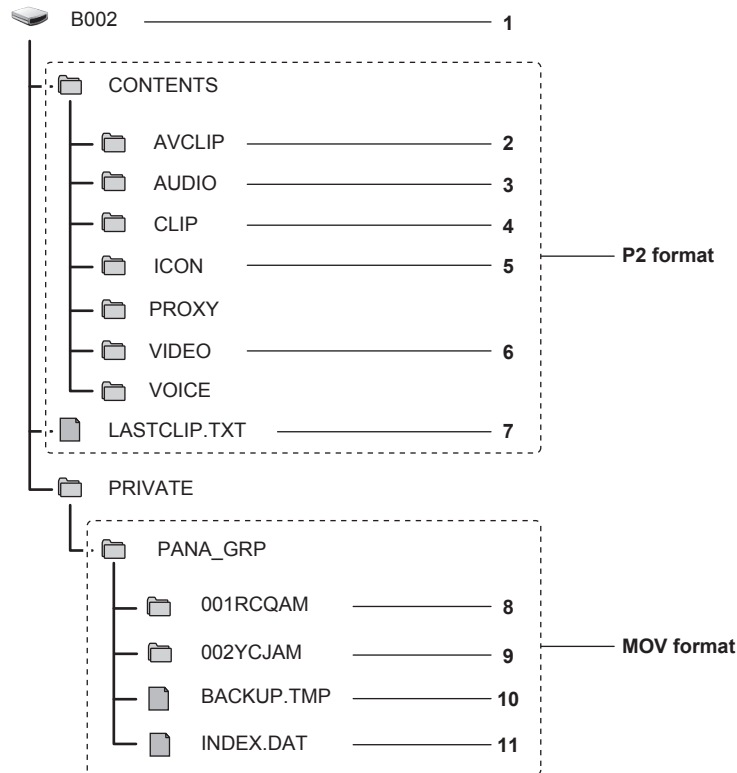
NOTE

- File is split approximately every three hours for the data in MOV format.
These are displayed as separate clips in the thumbnail screen. In addition, the clips recorded across two memory cards using the relay recording are displayed as separate clips.
- The recording is stopped once when the recording time reaches ten hours, and recording is automatically resumed after few seconds. Image and audio during the pause will not be recorded. This includes the case of special recording, such as relay recording.
- In the interval recording, the recording is stopped once when the length of a clip reaches ten hours, and recording is automatically resumed after few seconds.

Handling recording data

Folder structure example of a memory card

Various important information is contained in the recording data, and has a folder structure as shown in the figure and linked by the management files. If the information is changed or deleted even partially, an error such as that the data cannot be recognized or the recording becomes impossible may occur.



- 1 Volume label of the memory card
- 2 Video data in MXF format (audio: LPCM) (when recording format is AVC-Intra 422/AVC-LongG50/AVC-LongG25/AVC-LongG12)
- 3 Audio data in MXF format (when recording format is AVC-Intra 200/AVC-Intra 100/AVC-Intra 50)
- 4 Meta data in XML format
- 5 Thumbnail in BMP format
- 6 Video data in MXF format (when recording format is AVC-Intra 200/AVC-Intra 100/AVC-Intra 50)
- 7 The file to which the information of the final clip was recorded
- 8 Video data in MOV format: UHD (3840×2160), 29.97p MOV (audio: LPCM)
- 9 Video data in MOV format: FHD (1920×1080), 59.94i MOV (audio: LPCM)
- 10 Management file 1
- 11 Management file 2

NOTE

- Do not erase a folder or file on the memory card with a computer. It may make it impossible to load on the camera.
- If data is recorded to the memory card with a computer, an error may occur such as an inability to recognize or record to the memory card with the camera.
- The memory card to use with the camera should always be formatted on the camera.
- The number of the P2 format clips that can be recorded on a single memory card is approximately 1000. Data will not be able to record when it reaches the maximum number of data that can be recorded.
- When transferring a recording data in a P2 format to a computer, or when writing back to a microP2 card, be sure to use the dedicated software “P2 Viewer Plus” to prevent data loss. For details on downloading P2 Viewer Plus and the operating environment, visit the support desk at the following website:
<https://pro-av.panasonic.net/>
- Follow the instructions below when using a general IT tool such as the OS standard file manager equipped on a computer to transfer a recording data in P2 format to a computer. However, be sure to use P2 Viewer Plus when returning data back to a microP2 card.
 - Perform the transfer for each CONTENTS folder and LASTCLIP.TXT file.
 - Do not operate the folders under the CONTENTS folder.
 - When copying, copy the LASTCLIP.TXT file at the same time as the CONTENTS folder.
 - When transferring the data in multiple microP2 cards to a computer, create a folder for each memory card to prevent clips with the same name from being overwritten.
 - Do not delete data inside a memory card.
 - Be sure to format the memory card with a P2 device or P2 Viewer Plus.

Volume label of the memory card

■ **When the recording mode is P2**

The card serial number is stored in the volume label if the memory card being used is the microP2 card. "CAM_SD" is stored in the volume label if a card other than the microP2 card is used.

■ **When the recording mode is MOV**

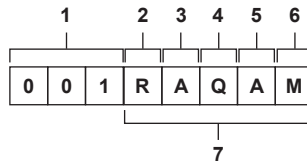
The value set in the [RECORDING] menu → [CLIP NAME] is stored in the volume label in the CAM INDEX + NEXT CARD COUNT format when the memory card is formatted. Once it is stored, [NEXT CARD COUNT] will increase by one. The CARD COUNT that is stored is also used for the CARD number of the MOV format file name.

 **NOTE**

• When recording to the memory card that CAM INDEX + CARD COUNT is not stored in the volume label, the value set in the [RECORDING] menu → [CLIP NAME] is automatically stored in the volume label, and [NEXT CARD COUNT] will increase by one.

Folder name of the MOV format video data

The fourth through eighth characters of the folder name differ depending on the setting of the camera.



1 Folder number

001 to 999 (sequential number)

- The number of clips that can be recorded in one folder is 999. Once it reaches 999, a folder with sequential number added is newly created. Also, a folder with sequential number added is newly created when the folder name is changed by changing the setting of the camera. The folder name will return to 001 when the memory card is formatted.

2 Number of pixels

R: 3840×2160
Y: 1920×1080

3 Frame rate

A: 59.94fps
B: 50.00fps
C: 29.97fps
D: 25.00fps
F: 23.98fps

4 Video format

Q: Progressive recording (MOV, LPCM)
J: Interlace recording (MOV, LPCM)

5 Fixed values

A

6 Recording setting

M: Standard recording
• Added to the file name recorded in card slot 2 for the simultaneous recording.
T: Simultaneous recording
• Added to the file name recorded in card slot 3 for the simultaneous recording.

7 Recording format information

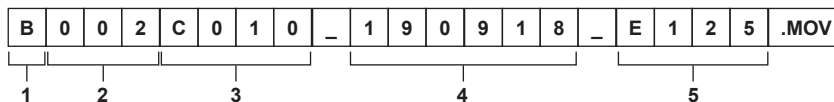
■ **When the folder name is 001RAQAM**

Following video data is saved in the folder.

- Number of pixels: 3840×2160
- Frame rate: 59.94fps
- Video format: Progressive recording (MOV, LPCM)

File name of the MOV format video data

The format of the file name is as follows.



1 CAM INDEX

One character from upper case A to Z.
• An INDEX assigned to each camera. Set with the [RECORDING] menu → [CLIP NAME] → [CAM INDEX].

2 CARD number

001 - 999
• This is the number assigned to each memory card. The CARD COUNT stored in the volume label of the memory card can be assigned.

3 Clip number

C001 - C999

- This is a sequential number assigned to each recording on the memory card. The number returns to C001 when the memory card is formatted. It will also return to C001 for the one after C999.

The clip number is maintained even when the folder is split or when the clip is deleted.

4 Date

Last two digits of year + two digits of month + two digits of date when the recording is started.

5 Hashtag generated from the serial number

Four-digit number or alphabet

 **NOTE**

- The clip name of the card slot 3 will be the same as the clip name of the card slot 2 for the simultaneous recording.
- The maximum number of folder and the folder number is 999. The recording is prohibited when it reaches 999 even if number in between is open.
- The number of clips that can be recorded on a single memory card is approximately 4000. Data will not be able to be recorded when it reaches the maximum number of clips that can be recorded even if number in between is open.

Chapter 4 **Operation**

This chapter describes how to operate the screen of this camera, how to operate the menu, the structure of the menu, and details of the menu.

Basic operation of the menu

The setting of the camera can be changed with the menu in accordance to the shooting scene or recording contents.

Set data is written and saved in the camera memory.

- There are two methods of operation, a method to operate with the jog dial button or the cursor operation button, and a method to touch the LCD monitor.

Configuration of the menu

The menu is structured in categorized levels according to intended use and setting frequency.

Displayed by pressing the <MENU> button.

[THUMBNAIL] menu	Performs confirmation or deleting of the recording clip. Can be set when the thumbnail screen is displayed.
[CAMERA] menu	Sets the basic function of the camera. Cannot be set when the thumbnail screen is displayed.
[SCENE FILE] menu	Sets the setting regarding scene file. Sets the detailed image quality adjustment of the camera video. Also, selection of the scene file, writing the scene file data to the camera memory, and loading from the camera memory can be performed. Cannot be set when the thumbnail screen is displayed.
[AUDIO] menu	Sets the input/output function of audio.
[VIDEO OUT/LCD/VF] menu	Configures the settings for the external output, the information to display in the LCD monitor or viewfinder and the output format.
[RECORDING] menu	Sets the various items in the recording function.
[NETWORK] menu	Sets the setting regarding the network function.
[SYSTEM] menu	Configures the settings regarding the recording format of video and audio.
[OTHERS] menu	Configures the settings for writing/loading/initializing of the user file into the camera memory and other settings.

■ [OPTION] menu

A special menu is prepared considering additional functions in the future.

This is displayed by pressing the <MENU> button while holding down the <SHIFT> button.

Basic operation of the menu

The setting of the camera can be changed with the menu in accordance to the shooting scene or recording contents.

Set data is written and saved in the camera memory.

Various settings are possible from the menu.

There are two methods of operation, a method to operate with the jog dial button or the cursor operation button, and a method to touch the LCD monitor.

When operating with the button

Operate by turning or pressing the jog dial button on the camera.

It can also be operated by pressing the cursor operation button and the <SET> button.

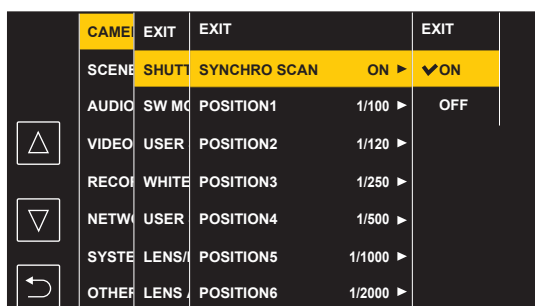


Fig. 1



Fig. 2

1 Press the <MENU> button when not recording.

The menu is displayed.

2 Select the menu to set.

- 1) Turn the jog dial button to move the cursor to the item to set.
The cursor can also be moved by pressing the cursor operation button.
- 2) Press the jog dial button or the <SET> button.
The lower level menu is displayed.
 - The confirmation screen is displayed depending on the menu.
 - Perform the similar operation if there is next level.
 - In some menus, a screen to set the numeric value is displayed in the camera image. (Fig. 2)
 - In some menus, a message is displayed if a menu cannot be executed.
 - To return to one level higher, perform the following operation.

- Press the <EXIT> button.
- Press the cursor operation button.
- Place the cursor on [EXIT] at the top and press the <SET> button or the jog dial button.

3 Select the item to set.

- 1) Turn the jog dial button to move the cursor to the item to set.
The cursor can also be moved by pressing the cursor operation button.
- 2) Press the jog dial button or the <SET> button.
A check mark is displayed at the left of the set item. (Fig. 1)
 - To return to one level higher, perform the following operation.
 - Press the <EXIT> button.
 - Press the cursor operation button.
 - Place the cursor on [EXIT] at the top and press the <SET> button or the jog dial button.

4 Press the <MENU> button to close the menu.

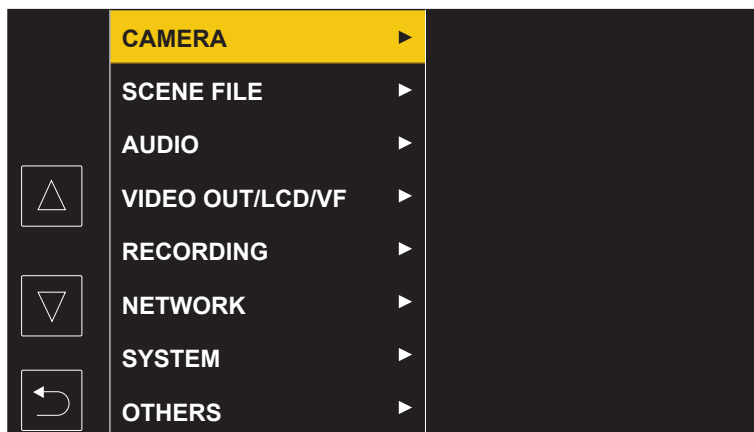
- Depending on the operating item, it will automatically return to the previous screen.

NOTE

- In the screen to set the numeric value (Fig. 2), the value is changed fast by turning the jog dial button in the direction to change with the button pressed and fixing it or press and hold the cursor operation button.

When operating by touching the LCD monitor


Operate by touching the LCD monitor.




1 Press the <MENU> button when not recording.

The menu is displayed.

2 Select the menu to set.

- Touch the menu to set. The lower level menu is displayed.
- The confirmation screen is displayed depending on the menu.
- Perform the similar operation if there is next level.
- In some menus, a screen to set the numeric value is displayed in the camera image.
To change the numeric value, touch [Δ]/[∇] and change the setting value.
- In some menus, a message is displayed if a menu cannot be executed.
- Touch [Δ]/[∇] to toggle the pages.
The button icons cannot be touched if there are no more pages.
- To return to one level higher, touch .

3 Select the item to set.

- Touch the item to set. A check mark is displayed at the left of the set item.
- To return to one level higher, touch .

4 Exit from the menu by touching , or pressing the <MENU> button.

- Depending on the operating item, it will automatically return to the previous screen.

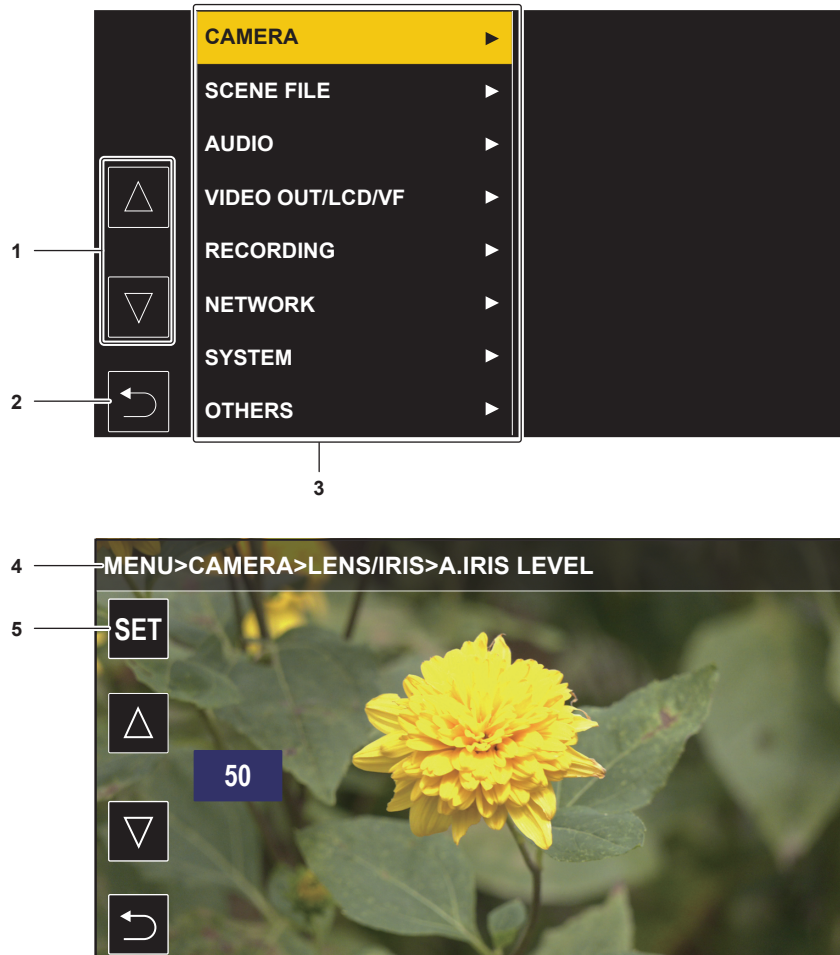
Menu display

Displaying the menu

Displays the menu, and select the menu or item to set.

1 Press the <MENU> button when not recording.

The menu is displayed.



1

Toggles the page or changes the value when selected.
These button icons are not available if they cannot be changed.

2

Returns to one level higher from the displayed menu when selected.

3 **Menu**

Moves to one level lower from the displayed menu, or to the setting screen when selected.

4 **Level display**

Displays the path of the menu to the currently displayed screen.

5 **[SET]**

Confirms the set value when selected.

NOTE

- The menu displayed in gray characters cannot be changed.

Initializing the menu

Most of the setting values of the menu can be returned to the factory setting status. Refer to “Target items for scene file/setup file/initialization” (page 111).

1 Select the [OTHERS] menu → [MENU INITIALIZE].

2 Select [SET] when the confirmation message is displayed.

The setting value of the menu is returned to the factory setting.

Menu settings

[THUMBNAIL] menu

Performs confirmation or deleting of the recording clip.
This menu can be set when the thumbnail screen is displayed.

[PLAYBACK]

Sets the playback of recorded clips.

[CLIP SEL]

Selects a clip to be displayed on the thumbnail screen.
It is always displayed in [ALL SLOT] when switched from the camera image screen to the thumbnail screen.

[ALL SLOT]	Displays all the clips recorded on every memory card in each card slot.
[SLOT1]	Displays only the clips recorded on the memory card in card slot 1.
[SLOT2]	Displays only the clips recorded on the memory card in card slot 2.
[SLOT3]	Displays only the clips recorded on the memory card in card slot 3.
[SAME FORMAT]	Displays only the clips recorded in the same format as the system format. Clips recorded in the same format means that each item of the [SYSTEM] menu → [FREQUENCY]/[FILE FORMAT]/[REC FORMAT]/[AUDIO SAMPLE RES.] matches the current setting status.

(Factory setting: [ALL SLOT])

[RESUME PLAY]

Select if the playback is to start from the position the playback has stopped or not.

[ON]	Plays back from the position where playback has stopped.
[OFF]	Always starts the playback from the beginning of the clip.

(Factory setting: [OFF])

[CLIP]

The clip can be protected or copied to a different memory card.

[PROTECT]	[SELECT]	Protect the clip so it is not mistakenly deleted. Select the clip to protect, and set the protect.
[DELETE]	[ALL]	Deletes all the clips displayed in the thumbnail screen. The clip that is not displayed in the thumbnail screen is not deleted.
	[SELECT]	Select the clip to delete, and delete it.
[COPY]	[ALL]	Copies all clips to a different memory card.
	[SELECT]	Selects the clip to copy, and copies the clip to a different memory card. Select [SLOT2→SLOT1] or [SLOT3→SLOT1] to copy a clip recorded spanning over card slot 2 and card slot 3 to the expressP2 card in the card slot 1 while recording in P2 format. An error occurs at the start of the copy process if [SLOT2→SLOT3] or [SLOT3→SLOT2] is selected.
[REPAIR]		Repairs a clip displaying NG caused by the sudden power loss, etc., during recording in P2 format.
[RE-CONNECT]	[SELECT]	While recording in P2 format, a clip recorded over multiple microP2 cards may not be recognized as a continuous clip, and may display ! . Restores as a continuous clip by selecting the clips to re-connect.
[INFORMATION]		Displays the detailed information of the clip.

NOTE

- Clips in P2 format cannot be protected.
- Clips in MOV format cannot be copied.

[DISPLAY]

Sets the display of the thumbnail screen.

[DATA]

Selects the content to be displayed in the time code display area.

[START TC]	Displays the time code value at the start of the recording.
[CLIP NAME]	Displays clip names.

(Factory setting: [START TC])

[CAMERA] menu

Sets the basic camera function.
This menu cannot be set when the thumbnail screen is displayed.

[SHUTTER SPEED]

The items that can be set in [POSITION1] to [POSITION6] are as follows.

- When the [SYSTEM] menu → [FREQUENCY] → [59.94Hz] is set
 - [OFF], [1/100], [1/120], [1/250], [1/500], [1/1000], [1/2000], [HALF]
- When the [SYSTEM] menu → [FREQUENCY] → [50.00Hz] is set
 - [OFF], [1/60], [1/120], [1/250], [1/500], [1/1000], [1/2000], [HALF]

[SYNCHRO SCAN]	[SYNCHRO SCAN] is assigned as the shutter speed selected by the <SHUTTER> switch. The items that can be set are as follows. • [ON], [OFF] (Factory setting: [ON])
[POSITION1]	Sets the shutter speed of [POSITION1]. • The factory setting varies depending on the [SYSTEM] menu → [FREQUENCY] setting. (Factory setting: [1/100] (when [59.94Hz] is set), [1/60] (when [50.00Hz] is set))
[POSITION2]	Sets the shutter speed of [POSITION2]. (Factory setting: [1/120])
[POSITION3]	Sets the shutter speed of [POSITION3]. (Factory setting: [1/250])
[POSITION4]	Sets the shutter speed of [POSITION4]. (Factory setting: [1/500])
[POSITION5]	Sets the shutter speed of [POSITION5]. (Factory setting: [1/1000])
[POSITION6]	Sets the shutter speed of [POSITION6]. (Factory setting: [1/2000])

[SW MODE]

[RET SW]

Sets the function when the <RET> button on the lens is pressed.

[INHIBIT]	Does not assign a function.
[D.ZOOM]	Assigns the digital zoom function. Zooms in on the field angle by 2x, 3x and 4x vertically and horizontally.
[FOCUS ASSIST]	Displays/hides the focus assist display. Select the type of display in the [VIDEO OUT/LCD/VF] menu → [FOCUS ASSIST] → [FOCUS ASSIST SELECT].
[REC CHECK]	Automatically plays back the last approximately three seconds of the previously shot clip.
[LCD/VF DETAIL]	Emphasizes the contour of the image in the viewfinder or LCD monitor to make it easier to focus.
[VF COLOR]	Selects whether to display viewfinder images in color or in black and white. This is interlocked with the setting value in the [VIDEO OUT/LCD/VF] menu → [VF COLOR].
[STREAMING START]	Assigns the function for starting or stopping streaming from the camera. This is interlocked with the setting value in the [NETWORK] menu → [STREAMING] → [START].

(Factory setting: [REC CHECK])

[S.BLK LEVEL]

Sets the super black level.

The items that can be set are as follows.

- [-30], [-20], [-10]

(Factory setting: [-10])

[AUTO KNEE SW]

Enables/disables the auto knee function and the dynamic range stretcher function.

[DRS]	The dynamic range stretcher function is enabled when the <OUTPUT>/<AUTO KNEE> switch is set to <ON>.
[ON]	The auto knee function is enabled when the <OUTPUT>/<AUTO KNEE> switch is set to <ON>.
[OFF]	The auto knee function and the dynamic range stretcher function are not enabled even if the <OUTPUT>/<AUTO KNEE> switch is set to <ON>.

(Factory setting: [ON])

[SHD,ABB SW CTL]

Sets whether to automatically adjust black shading when the <AUTO W/B BAL> switch is pressed toward <ABB> side for two seconds or more.

The items that can be set are as follows.

- [ON], [OFF]

(Factory setting: [OFF])

[S.GAIN OFF]

Selects a method to release super gain mode.

[L/M/H]	The super gain mode is released in following cases. • When the <GAIN> switch setting is changed • When the USER button assigned with [S.GAIN] is pressed
[S.GAIN]	The super gain mode is released only when the USER button assigned with [S.GAIN] is pressed.

(Factory setting: [L/M/H])

[DS.GAIN OFF]

Selects a method to release digital super gain mode (accumulated gain).

[L/M/H]	The digital super gain mode is released in following cases. <ul style="list-style-type: none"> • When the <GAIN> switch setting is changed • When the USER button assigned with [DS.GAIN] is pressed
[DS.GAIN]	The digital super gain mode is released only when the USER button assigned with [DS.GAIN] is pressed.

(Factory setting: [DS.GAIN])

[D.ZOOM]

Selects the zoom ratio for when the USER button assigned with [D.ZOOM] is pressed.

The items that can be set are as follows.

- [×2], [×3], [×4], [ALL]

(Factory setting: [ALL])

[USER SW]

The function to be assign to the USER button can be set.

Following functions can be assigned.

- [INHIBIT], [DRS], [FBC], [S.GAIN], [ATW], [ATW LOCK], [Y GET], [D.ZOOM], [DS.GAIN], [S.IRIS], [I.OVR], [S.BLK], [B.GAMMA], [FOCUS ASSIST], [C.TEMP], [ADAPTIVE MATRIX], [PRE REC], [REC CHECK], [DEL LAST CLIP], [SLOT SEL], [REC SW], [WFM], [LCD/VF HDR], [LCD/VF DETAIL], [VF COLOR], [INDICATOR SW], [LOAD SETUP FILE], [LCD BACKLIGHT], [CARD READER MODE], [STREAMING START]

For details, refer to “Assigning function to the USER buttons” (page 129).

[USER1]	Sets the function to assign to the <USER 1> button. (Factory setting: [FOCUS ASSIST])
[USER2]	Sets the function to assign to the <USER 2> button. (Factory setting: [S.GAIN])
[USER3]	Sets the function to assign to the <USER 3> button. (Factory setting: [DS.GAIN])
[USER4]	Sets the function to assign to the <USER 4> button. (Factory setting: [Y GET])
[USER5]	Sets the function to assign to the <USER 5> button. (Factory setting: [WFM])

[WHITE BALANCE MODE]

[FILTER INH]

Selects whether to hold or not hold the white balance memory (Ach and Bch) data for each CC filter.

[ON]	Holds Ach and Bch memory data (two memories), regardless of the CC filter.
[OFF]	Holds Ach and Bch memory data (eight memories), for each CC filter.

(Factory setting: [ON])

[SHOCKLESS AWB]

When the position of the <WHITE BAL> switch is changed, set the time until it transfers to the white balance condition at the changed position.

[FAST]	Transfers to the white balance condition in approximately one second.
[NORMAL]	Transfers to the white balance condition in approximately two seconds.
[SLOW1]	Transfers to the white balance condition in approximately three seconds.
[SLOW2]	Transfers to the white balance condition in approximately ten seconds.
[SLOW3]	Transfers to the white balance condition in approximately 20 seconds.
[OFF]	Transfers immediately.

(Factory setting: [NORMAL])

[AWB AREA]

Selects the detection area to perform the auto adjustment of the white balance.

[25%]	Detects 25% of the area near screen center.
[50%]	Detects 50% of the area near screen center.
[90%]	Detects 90% of the screen area.

(Factory setting: [25%])

[ATW]

Assigns the setting of the auto tracking white balance function to the <WHITE BAL> switch.

The items that can be set are as follows.

- [Ach], [Bch], [PRE], [OFF]

(Factory setting: [OFF])

[ATW SPEED]

Sets the control speed of the auto tracking white balance function.

The items that can be set are as follows.

- [FAST], [NORMAL], [SLOW]

(Factory setting: [NORMAL])

[ATW TARGET R]

Finely adjusts the Rch output for convergence with the auto tracking white balance operation.

The items that can be set are as follows.

- [-10]...[+10]

(Factory setting: [0])

[ATW TARGET B]

Finely adjusts the Bch output for convergence with the auto tracking white balance operation.

The items that can be set are as follows.

- [-10]...[+10]

(Factory setting: [0])

[W.BAL PRESET]

Sets the color temperature to be assigned to <PRST> of the <WHITE BAL> switch.

The items that can be set are as follows.

- [3200K], [5600K], [VAR]

(Factory setting: [3200K])

[W.BAL VAR]

Sets the value of [VAR] in [W.BAL PRESET].

Enabled when [W.BAL PRESET] is set to [VAR] and the <WHITE BAL> switch is at <PRST>.

The items that can be set are as follows.

- When the <CC FILTER> dial is set to <A>
 - [2000K]...[15000K]
- When the <CC FILTER> dial is set to
 - [2380K]...[>15000K]
- When the <CC FILTER> dial is set to <C>
 - [2730K]...[>15000K]
- When the <CC FILTER> dial is set to <D>
 - [2890K]...[>15000K]

(Factory setting: [3200K])

[USER SW GAIN]**[S.GAIN]**

Selects the super gain value to enable when [S.GAIN] is assigned to the USER button.

- When set to [ALL], the display will switch in the order of [30dB], [36dB], [42dB], and normal gain every time the USER button is pressed.

The items that can be set are as follows.

- [30dB], [36dB], [42dB], [ALL]

(Factory setting: [ALL])

[DS.GAIN]

Selects the digital super gain value to enable when [DS.GAIN] is assigned to the USER button.

- When set to [ALL], the display will switch in the order of [6dB], [10dB], [12dB], [15dB], [20dB], [24dB], [28dB], [34dB], and normal gain every time the USER button is pressed.

The items that can be set are as follows.

- [6dB], [10dB], [12dB], [15dB], [20dB], [24dB], [28dB], [34dB], [ALL]

(Factory setting: [ALL])

[LENS/IRIS]**[A.IRIS LEVEL]**

Sets the auto iris target value.

The items that can be set are as follows.

- [0]...[100]

(Factory setting: [50])

[A.IRIS PEAK/AVE]

Sets the ratio included in the peak for auto iris standard.

Larger the ratio, it will correspond to a peak within the iris detection window.

Smaller the ratio, it will correspond to an average value within the iris detection window.

The items that can be set are as follows.

- [0]...[100]

(Factory setting: [30])

[A.IRIS WINDOW]

Selects the auto iris detection window.

[NORMAL1]	Window that is around center of the screen.
[NORMAL2]	Window that is around bottom of the screen.
[CENTER]	Window that is a spot around center of the screen.

(Factory setting: [NORMAL1])

[S.IRIS LEVEL]

Sets the super iris (backlight compensation) target value.

The items that can be set are as follows.

- [0]...[100]

(Factory setting: [70])

[IRIS GAIN]

Sets whether to perform the [IRIS GAIN] adjustment on the camera or on the lens.

The items that can be set are as follows.

- [CAM], [LENS]

(Factory setting: [LENS])

[IRIS GAIN VALUE]

Selects the [IRIS GAIN] adjustment value.

This setting is enabled when [IRIS GAIN] is set to [CAM].

The items that can be set are as follows.

- [0]...[20]

(Factory setting: [10])

[LENS ADJ.]

[F2.8 ADJ.]

Iris is set to F2.8 only when set to [ON].

(Adjusts the iris so that it becomes F2.8 at the lens side)

When moved from the [F2.8 ADJ.] setting screen, it is forcefully switched to [OFF].

The items that can be set are as follows.

- [ON], [OFF]

(Factory setting: [OFF])

[F16 ADJ.]

Iris is set to F16 only when set to [ON].

(Adjusts the iris so that it becomes F16 at the lens side)

When moved from the [F16 ADJ.] setting screen, it is forcefully switched to [OFF].

The items that can be set are as follows.

- [ON], [OFF]

(Factory setting: [OFF])

[LENS FILE ADJ.]



NOTE

- Data adjusted with [LENS FILE ADJ.] can be saved as a lens file to the SD card.

[LENS FILE ADJ. MODE]

Selects the mode to adjust the lens.

When transferred from the [LENS FILE ADJ. MODE] setting screen, it is forcefully switched to [OFF].

[ON]	The gains of Rch and Bch adjusted in the [SCENE FILE] menu → [RB GAIN CONTROL SETTING] and the flare level of Rch, Gch, and Bch adjusted in the [SCENE FILE] menu → [RGB BLACK CONTROL SETTING] are disabled.
[OFF]	The gains of Rch and Bch adjusted in the [SCENE FILE] menu → [RB GAIN CONTROL SETTING] and the flare level of Rch, Gch, and Bch adjusted in the [SCENE FILE] menu → [RGB BLACK CONTROL SETTING] are enabled.

(Factory setting: [OFF])

[LENS R GAIN OFFSET]

Corrects the Rch sensitivity of the lens to use.

The items that can be set are as follows.

- [-200]...[200]

(Factory setting: [0])

[LENS B GAIN OFFSET]

Corrects the Bch sensitivity of the lens to use.

The items that can be set are as follows.

- [-200]...[200]

(Factory setting: [0])

[LENS R FLARE]

Adjusts the Rch flare level.

The items that can be set are as follows.

- [0]...[100]

(Factory setting: [0])

[LENS G FLARE]

Adjusts the Gch flare level.

The items that can be set are as follows.

- [0]...[100]

(Factory setting: [0])

[LENS B FLARE]

Adjusts the Bch flare level.

The items that can be set are as follows.

- [0]...[100]

(Factory setting: [0])

[AGC]

[AGC]

Sets the operation of the auto gain control.

[ON]	Performs the operation of the [AGC] function that automatically adjusts camera gain.
[OFF]	Does not perform the operation of the [AGC] function that automatically adjusts camera gain.

(Factory setting: [OFF])

[AGC LIMIT]

Sets the maximum gain value during [AGC] operation.

The items that can be set are as follows.

- [3dB], [6dB], [12dB], [18dB]

(Factory setting: [6dB])

[AGC POINT]

Sets the F value to switch control from auto iris to [AGC] during [AGC] operation.

The items that can be set are as follows.

- [F2.8], [F4.0], [F5.6]

(Factory setting: [F4.0])

[BLACK SHADING]

[CORRECT]

Enables/disables the black shading correction.

The items that can be set are as follows.

- [ON], [OFF]

(Factory setting: [ON])

[DETECTION]

Executes the black shading correction.

[WHITE SHADING]

[CORRECT]	Enables/disables the white shading correction. The items that can be set are as follows. • [ON], [OFF] (Factory setting: [ON])
-----------	---

[R H SAW]	Performs the white shading correction manually. Adjusts sawtooth waveforms and parabolic waveforms of RGB channels in the horizontal and vertical directions. The items that can be set are as follows. • [-255]...[255] (Factory setting: [0])
[R H PARA]	
[R V SAW]	
[R V PARA]	
[G H SAW]	
[G H PARA]	
[G V SAW]	
[G V PARA]	
[B H SAW]	
[B H PARA]	
[B V SAW]	
[B V PARA]	

[CAC ADJ.]

[CAC CONTROL]

Switches [ON]/[OFF] of the chromatic aberration compensation (CAC).

[ON]	Performs the chromatic aberration compensation.
[OFF]	Does not perform the chromatic aberration compensation.

(Factory setting: [ON])

[LIST/DELETE]

Views the list of CAC file stored in the camera memory or deletes the file with the number selected from the list of the CAC file.

The items that can be selected are as follows.

- [No1]...[No32]

[SCENE FILE] menu

Sets the detailed image quality adjustment of the camera video.

This menu cannot be set when the thumbnail screen is displayed.

For the factory settings, refer to “Factory setting value of the scene file” (page 108).

[FILE SELECT]

Selects the scene file (1 to 6).

The items that can be set are as follows.

- [F1:], [F2:], [F3:], [F4:], [F5:], [F6:]

[NAME EDIT]

Edits the name of the scene file selected in the scene file menu. (Maximum eight characters)

[LOAD/SAVE/INITIALIZE]

Loads/saves/initializes the setting values of the scene file assigned to the current scene file number (any one from 1 to 6).

[LOAD]	Loads the scene file saved on the camera memory.
[SAVE]	Saves the current setting values as a scene file to the camera memory.
[INITIALIZE]	Initializes the selected scene files (1 to 6) to the factory settings.

[SYNC SCAN TYPE]

Switches the synchro scan display settings.

[sec]	Displays in time.
[deg]	Displays in the shutter open angle.

[SYNC SCAN]

Displays the shutter speed of the synchro scan that is used when shooting video for television, etc.

The items that can be set are as follows.

- When [SYNC SCAN TYPE] is set to [sec] and the [SYSTEM] menu → [FREQUENCY] → [59.94Hz] is set
 - 59.94i/59.94p mode: [1/60.0] ... [1/7200]
 - 29.97p mode: [1/30.0]...[1/7200]
 - 23.98p mode: [1/24.0]...[1/7200]
- When [SYNC SCAN TYPE] is set to [sec] and the [SYSTEM] menu → [FREQUENCY] → [50.00Hz] is set
 - 50i/50p mode: [1/50.0]...[1/7200]
 - 25p mode: [1/25.0]...[1/7200]
- When [SYNC SCAN TYPE] is set to [deg]
 - [3.0d]...[360.0d]

[MASTER DTL]

Sets the level of the detail effect of the whole part.

The items that can be set are as follows.

- [-31]...[31]

[DTL CORING]

Sets the level of signal (including noise) that does not activate the detail effect.

The items that can be set are as follows.

- [0]...[60]

[DETAIL SETTING]**[DETAIL]**

Sets [ON]/[OFF] of the detail function.

The items that can be set are as follows.

- [ON], [OFF]

[H.DTL LEVEL]

Sets the intensity of the detail level in the horizontal direction.

The items that can be set are as follows.

- [-7]...[7]

[V.DTL LEVEL]

Sets the intensity of the detail level in the vertical direction.

The items that can be set are as follows.

- [-7]...[7]

[DTL FREQ.]

Sets the thickness of the detail.

The items that can be set are as follows.

- [-7]...[7]

[LEVEL DEPEND.]

When the detail of luminosity signal is emphasized, details in the darker areas are compressed.

Details of bright areas are compressed more when the value set for [LEVEL DEPEND.] is larger.

The items that can be set are as follows.

- [-7]...[7]

[KNEE APE LEVEL]

Sets the detail level of high luminosity areas (high-brightness areas).

The items that can be set are as follows.

- [0]...[5]

[DTL GAIN(+)]

Sets the detail level of the plus direction (to make brighter).

The items that can be set are as follows.

- [-31]...[31]

[DTL GAIN(-)]

Sets the detail level of the minus direction (to make darker).

The items that can be set are as follows.

- [-31]...[31]

[SKIN TONE DTL A]

Selects the skin tone table that will display the skin tone detail.

Create the skin tone table with [DETECT TABLE]. You can shoot smoother skin tones by displaying the skin tone detail.

You can use only [SKIN TONE DTL A] or use a combination of [SKIN TONE DTL A] and [SKIN TONE DTL B] or a combination of [SKIN TONE DTL A] and [SKIN TONE DTL C].

The items that can be set are as follows.

- [ON], [OFF]

[SKIN TONE DTL B]

Selects the skin tone table that will display the skin tone detail.

Create the skin tone table with [DETECT TABLE]. You can shoot smoother skin tones by displaying the skin tone detail.

You can use only [SKIN TONE DTL B] or use a combination of [SKIN TONE DTL B] and [SKIN TONE DTL A] or a combination of [SKIN TONE DTL B] and [SKIN TONE DTL C].

The items that can be set are as follows.

- [ON], [OFF]

[SKIN TONE DTL C]

Selects the skin tone table that will display the skin tone detail.

Create the skin tone table with [DETECT TABLE]. You can shoot smoother skin tones by displaying the skin tone detail.

You can use only [SKIN TONE DTL C] or use a combination of [SKIN TONE DTL C] and [SKIN TONE DTL A] or a combination of [SKIN TONE DTL C] and [SKIN TONE DTL B].

The items that can be set are as follows.

- [ON], [OFF]

[SKIN TONE ZEBRA]

Set to display a zebra pattern in the skin tone area displayed in the viewfinder screen.

The zebra pattern is displayed when this item is set to [ON] and [SKIN TONE DTL A]/[SKIN TONE DTL B]/[SKIN TONE DTL C] is enabled.

The zebra pattern displays the area selected in [SKIN TONE DTL SETTING].

The items that can be set are as follows.

- [ON], [OFF]

[SKIN TONE DTL SETTING]**[DETECT TABLE]**

Selects the skin tone table of the subject to set the skin tone detail.

The items that can be set are as follows.

- [A], [B], [C]

[SKIN DTL EFFECT]

Sets the effective level of the skin tone detail.

The items that can be set are as follows.

- [0]...[31]

[I CENTER]

Sets the center position of the upper I axis (setting the area that applies the skin tone).

The items that can be set are as follows.

- [0]...[255]

[I WIDTH]

Sets the width of the area that displays the skin tone of the upper I axis that focus on [I CENTER].

The items that can be set are as follows.

- [1]...[3]

[Q WIDTH]

Sets the width of the area that displays the skin tone of the upper Q axis that focus on [I CENTER].

The items that can be set are as follows.

- [1]...[3]

[Q PHASE]

Sets the phase of the area that applies the skin tone related to the Q axis.

The items that can be set are as follows.

- [-128]...[127]

[RB GAIN CONTROL SETTING]**[R GAIN AWB PRE]**

Sets the Rch gain when the <WHITE BAL> switch is set to <PRST>.

The items that can be set are as follows.

- [-200]...[200]

[B GAIN AWB PRE]

Sets the Bch gain when the <WHITE BAL> switch is set to <PRST>.

The items that can be set are as follows.

- [-200]...[200]

[R GAIN AWB A]

Sets the Rch gain when the <WHITE BAL> switch is set to <A>.

The items that can be set are as follows.

- [-200]...[200]

[B GAIN AWB A]

Sets the Bch gain when the <WHITE BAL> switch is set to <A>.

The items that can be set are as follows.

- [-200]...[200]

[R GAIN AWB B]

Sets the Rch gain when the <WHITE BAL> switch is set to .

The items that can be set are as follows.

- [-200]...[200]

[B GAIN AWB B]

Sets the Bch gain when the <WHITE BAL> switch is set to .

The items that can be set are as follows.

- [-200]...[200]

[AWB A GAIN OFFSET]

Sets the value of the Rch gain and Bch gain when the <WHITE BAL> switch is set to <A> and automatic white balance is performed.

[ON]	Keeps the values set in [R GAIN AWB A] and [B GAIN AWB A].
[OFF]	Sets the value of Rch gain and Bch gain to [0].

[AWB B GAIN OFFSET]

Sets the value of the Rch gain and Bch gain when the <WHITE BAL> switch is set to and automatic white balance is performed.

[ON]	Keeps the values set in [R GAIN AWB B] and [B GAIN AWB B].
[OFF]	Sets the value of Rch gain and Bch gain to [0].

[COLOR TEMP Ach SETTING]

[COLOR TEMP]

Displays the color temperature when the <WHITE BAL> switch is <A> and automatic white balance is working, or when it is preset.

Also, in automatic white balance operation, the color temperature can be changed by changing the output balance of Rch and Bch.

The items that can be set are as follows.

- When the <CC FILTER> dial is set to <A>
 - [2000K]...[15000K]
- When the <CC FILTER> dial is set to
 - [2380K]...[>15000K]
- When the <CC FILTER> dial is set to <C>
 - [2730K]...[>15000K]
- When the <CC FILTER> dial is set to <D>
 - [2890K]...[>15000K]

[R GAIN]

Displays the output of Rch when the <WHITE BAL> switch is <A> and automatic white balance is working, or when it is preset.

In the automatic white balance operation, the color can also be changed on the Rch axis by changing the output of Rch.

The items that can be set are as follows.

- [-400]...[400]

[B GAIN]

Displays the output of Bch when the <WHITE BAL> switch is <A> and automatic white balance is working, or when it is preset.

In automatic white balance operation, the color can also be changed on the Bch axis by changing the output of Bch.

The items that can be set are as follows.

- [-400]...[400]

[G AXIS]

Displays the output of G axis when the <WHITE BAL> switch is <A> and automatic white balance is working, or when it is preset.

In the automatic white balance operation, the color can also be changed on the G axis by changing the output of Rch and Bch.

The items that can be set are as follows.

- [-400]...[400]

[COLOR TEMP Bch SETTING]

[COLOR TEMP]

Displays the color temperature when the <WHITE BAL> switch is and automatic white balance is working, or when it is preset.

Also, in automatic white balance operation, the color temperature can be changed by changing the output balance of Rch and Bch.

The items that can be set are as follows.

- When the <CC FILTER> dial is set to <A>
 - [2000K]...[15000K]
- When the <CC FILTER> dial is set to
 - [2380K]...[>15000K]
- When the <CC FILTER> dial is set to <C>
 - [2730K]...[>15000K]
- When the <CC FILTER> dial is set to <D>
 - [2890K]...[>15000K]

[R GAIN]

Displays the output of Rch when the <WHITE BAL> switch is and automatic white balance is working, or when it is preset.

In automatic white balance operation, the color can also be changed on the Rch axis by changing the output of Rch.

The items that can be set are as follows.

- [-400]...[400]

[B GAIN]

Displays the output of Bch when the <WHITE BAL> switch is and automatic white balance is working, or when it is preset.

In automatic white balance operation, the color can also be changed on the Bch axis by changing the output of Bch.

The items that can be set are as follows.

- [-400]...[400]

[G AXIS]

Displays the output of G axis when the <WHITE BAL> switch is and automatic white balance is working, or when it is preset.

In the automatic white balance operation, the color can also be changed on the G axis by changing the output of Rch and Bch.

The items that can be set are as follows.

- [-400]...[400]

[CHROMA LEVEL]

Sets the chroma level of P_R and P_B signals.

The items that can be set are as follows.

- [-99%]...[99%], [OFF]

[CHROMA PHASE]

Finely adjusts the chroma phase of the P_R signal and P_B signal.

The items that can be set are as follows.

- [-31]...[31]

[MATRIX]

[L MATRIX TABLE]

Selects the color correction table when the <GAIN> switch is set to <L>.

The items that can be set are as follows.

- [A], [B], [OFF]

[M MATRIX TABLE]

Selects the color correction table when the <GAIN> switch is set to <M>.

The items that can be set are as follows.

- [A], [B], [OFF]

[H MATRIX TABLE]

Selects the color correction table when the <GAIN> switch is set to <H>.

The items that can be set are as follows.

- [A], [B], [OFF]

[MATRIX TABLE]

Selects the color correction table.

The items that can be set are as follows.

- [A], [B]

[ADAPTIVE MATRIX]

Enables/disables the function to control the linear matrix in accordance with the shooting condition.

If [ADAPTIVE MATRIX] is assigned to the USER button, pressing the USER button switches [ON]/[OFF].

The items that can be set are as follows.

- [ON], [OFF]

[R-G]

Adjusts the linear matrix. (Red - Green)

The items that can be set are as follows.

- [-63]...[63]

[R-B]

Adjusts the linear matrix. (Red - Blue)

The items that can be set are as follows.

- [-63]...[63]

[G-R]

Adjusts the linear matrix. (Green - Red)

The items that can be set are as follows.

- [-63]...[63]

[G-B]

Adjusts the linear matrix. (Green - Blue)

The items that can be set are as follows.

- [-63]...[63]

[B-R]

Adjusts the linear matrix. (Blue - Red)

The items that can be set are as follows.

- [-63]...[63]

[B-G]

Adjusts the linear matrix. (Blue - Green)

The items that can be set are as follows.

- [-63]...[63]

[COLOR CORRECTION]

[L COLOR CORRECT]

Enables/disables the color correction function when the <GAIN> switch is set to <L>.

The items that can be set are as follows.

- [ON], [OFF]

[M COLOR CORRECT]

Enables/disables the color correction function when the <GAIN> switch is set to <M>.

The items that can be set are as follows.

- [ON], [OFF]

[H COLOR CORRECT]

Enables/disables the color correction function when the <GAIN> switch is set to <H>.

The items that can be set are as follows.

- [ON], [OFF]

[PARAMETER]

Corrects the color saturation and hue.

The items that can be set are as follows.

- [-63]...[63]

[R] ([SAT])	Corrects red color saturation.
[R] ([PHASE])	Corrects the red hue.
[R-R-Mg] ([SAT])	Corrects the color saturation between red and "colors between red and magenta".
[R-R-Mg] ([PHASE])	Corrects the hue between red and "colors between red and magenta".
[R-Mg] ([SAT])	Corrects the color saturation between red and magenta.
[R-Mg] ([PHASE])	Corrects the hue between red and magenta.
[Mg] ([SAT])	Corrects magenta color saturation.
[Mg] ([PHASE])	Corrects the magenta hue.
[Mg-B] ([SAT])	Corrects the color saturation between magenta and blue.
[Mg-B] ([PHASE])	Corrects the hue between magenta and blue.
[B] ([SAT])	Corrects blue color saturation.
[B] ([PHASE])	Corrects the blue hue.
[B-Cy] ([SAT])	Corrects the color saturation between blue and cyan.
[B-Cy] ([PHASE])	Corrects the hue between blue and cyan.
[Cy] ([SAT])	Corrects cyan color saturation.
[Cy] ([PHASE])	Corrects the cyan hue.
[Cy-G] ([SAT])	Corrects the color saturation between cyan and green.
[Cy-G] ([PHASE])	Corrects the hue between cyan and green.
[G] ([SAT])	Corrects green color saturation.
[G] ([PHASE])	Corrects the green hue.
[G-Y] ([SAT])	Corrects the color saturation between green and yellow.
[G-Y] ([PHASE])	Corrects the hue between green and yellow.
[G-YI-Y] ([SAT])	Corrects the color saturation between "colors between green and yellow" and yellow.
[G-YI-Y] ([PHASE])	Corrects the hue between "colors between green and yellow" and yellow.
[Y] ([SAT])	Corrects yellow color saturation.
[Y] ([PHASE])	Corrects the yellow hue.
[YI-YI-R] ([SAT])	Corrects the color saturation between yellow and "colors between yellow and red".
[YI-YI-R] ([PHASE])	Corrects the hue between yellow and "colors between yellow and red".

[YI-R] ([SAT])	Corrects the color saturation between yellow and red.
[YI-R] ([PHASE])	Corrects the hue between yellow and red.
[YI-R-R] ([SAT])	Corrects the color saturation between "colors between yellow and red" and red.
[YI-R-R] ([PHASE])	Corrects the hue between "colors between yellow and red" and red.

[MASTER PED]

Sets the master pedestal.

The items that can be set are as follows.

- [-200]...[200]

[RGB BLACK CONTROL SETTING]

[R PED]

Sets the Rch pedestal level.

The items that can be set are as follows.

- [-100]...[100]

[G PED]

Sets the Gch pedestal level.

The items that can be set are as follows.

- [-100]...[100]

[B PED]

Sets the Bch pedestal level.

The items that can be set are as follows.

- [-100]...[100]

[PEDESTAL OFFSET]

Sets the Rch, Gch, and Bch pedestal levels after adjusting the automatic black balance.

[ON]	Keeps each of the values set in [R PED], [G PED], and [B PED].
[OFF]	Sets the pedestal level of Rch, Gch, and Bch to [0].

[R FLARE]

Adjusts the Rch flare level.

The adjusted value of this item is added to the flare adjustment value adjusted in the [CAMERA] menu → [LENS FILE ADJ.].

The items that can be set are as follows.

- [-100]...[100]

[G FLARE]

Adjusts the Gch flare level.

The adjusted value of this item is added to the flare adjustment value adjusted in the [CAMERA] menu → [LENS FILE ADJ.].

The items that can be set are as follows.

- [-100]...[100]

[B FLARE]

Adjusts the Bch flare level.

The adjusted value of this item is added to the flare adjustment value adjusted in the [CAMERA] menu → [LENS FILE ADJ.].

The items that can be set are as follows.

- [-100]...[100]

[GAMMA MODE SEL]

Selects the gamma mode.

[HD]	Sets the gamma characteristics for HD (High Definition).
[SD]	Increases gain in darker areas more than HD gamma.
[FILMLIKE1]	Sets the characteristics that reproduce more highlight areas compared to HD gamma.
[FILMLIKE2]	Sets the characteristics that reproduce more highlight areas compared to [FILMLIKE1].
[FILMLIKE3]	Sets the characteristics that reproduce more highlight areas compared to [FILMLIKE2].
[FILM-REC]	Sets the cine gamma characteristics for film.
[VIDEO-REC]	Sets the cine gamma characteristics for video.
[HLG]	Sets the hybrid log gamma (HLG) characteristics.

[GAMMA SETTING]

[MASTER GAMMA]

Sets the master gamma in 0.01 steps.

- Depending on the <GAIN> switch setting, it is linked to the setting value of [MASTER GAMMA] in [LOW SETTING]/[MID SETTING]/[HIGH SETTING].

The items that can be set are as follows.

- [0.30]...[0.75]

[F-REC DYNAMIC LEVEL]

When [FILM-REC] is selected in [GAMMA MODE SEL], dynamic range is set.

No settings are changed if an item other than [FILM-REC] is selected.

The items that can be set are as follows.

- [200%] ... [600%] (100% step)

[F-REC BLACK STR LEVEL]

When [FILM-REC] is selected in [GAMMA MODE SEL], black stretch is set.

No settings are changed if an item other than [FILM-REC] is selected.

The items that can be set are as follows.

- [0%]...[30%]

[V-REC KNEE SLOPE]

When [VIDEO-REC] is selected in [GAMMA MODE SEL], knee slope is set.

No settings are changed if an item other than [VIDEO-REC] is selected.

The items that can be set are as follows.

- [150%] ... [500%] (50% step)

[V-REC KNEE POINT]

When [VIDEO-REC] is selected in [GAMMA MODE SEL], knee point is set.

No settings are changed if an item other than [VIDEO-REC] is selected.

The items that can be set are as follows.

- [30%]...[107%]

[BLACK GAMMA]

Sets the gamma curves of dark areas.

[-8]...[-1]	Compresses the dark area.
[0]	Standard state
[1]...[8]	Expands dark areas.

[B.GAMMA RANGE]

Sets the maximum level of compression/expansion.

[1]	Around 20%
[2]	Around 30%
[3]	Around 40%

[KNEE SETTING]

[MANUAL KNEE]

Sets the knee operation mode.

The items that can be set are as follows.

- [ON], [OFF]

[KNEE MASTER POINT]

Sets the knee point position in 0.5% steps.

The items that can be set are as follows.

- [70.0%]...[107.0%]

[KNEE MASTER SLOPE]

Sets the knee inclination.

The items that can be set are as follows.

- [0]...[99]

[A.KNEE POINT]

Sets the auto knee point position in 1% steps.

This is enabled when the <OUTPUT>/<AUTO KNEE> switch is set to <CAM>/<ON>.

The items that can be set are as follows.

- [80%]...[107%]

[A.KNEE LEVEL]

Sets the auto knee level.

The items that can be set are as follows.

- [100]...[109]

[A.KNEE RESPONSE]

Sets the auto knee response speed. The smaller the setting value, the faster the response speed is.

The items that can be set are as follows.

- [1]...[8]

[HLG KNEE SW]

Enables/disables the operation of knee for HLG.

The items that can be set are as follows.

- [ON], [OFF]

[HLG KNEE POINT]

Sets the position of the knee point for HLG.

The items that can be set are as follows.

- [55]...[100]

[HLG KNEE SLOPE]

Sets the inclination of knee for HLG.

The items that can be set are as follows.

- [0]...[100]

[HI-COLOR SW]

Selects [ON]/[OFF] of the mode that expands the color dynamic range.

The items that can be set are as follows.

- [ON], [OFF]

[WHITE CLIP SETTING]**[WHITE CLIP]**

Turns the white clip function [ON]/[OFF]. The setting value of [WHITE CLIP LEVEL] is enabled when the function is [ON].

The items that can be set are as follows.

- [ON], [OFF]

[WHITE CLIP LEVEL]

Sets the white clip level.

The items that can be set are as follows.

- [90%]...[109%]

[LOW SETTING]**[MASTER GAIN]**

Sets the gain value to be assigned to <L> of the <GAIN> switch.

- [-6dB]...[30dB]

[H.DTL LEVEL]

Sets the intensity of the detail level in the horizontal direction.

The items that can be set are as follows.

- [-7]...[7]

[V.DTL LEVEL]

Sets the intensity of the detail level in the vertical direction.

The items that can be set are as follows.

- [-7]...[7]

[DTL CORING]

Sets the level of signal (including noise) that does not activate the detail effect.

The items that can be set are as follows.

- [0]...[60]

[DTL FREQ.]

Sets the thickness of the detail.

The items that can be set are as follows.

- [-7]...[7]

[LEVEL DEPEND.]

When the detail of luminosity signal is emphasized, details in the darker areas are compressed.

Details of bright areas are compressed more when the value set for [LEVEL DEPEND.] is larger.

The items that can be set are as follows.

- [-7]...[7]

[MASTER GAMMA]

Performs the setting of the master gamma in 0.01 steps.

The items that can be set are as follows.

- [0.30] ... [0.75] (0.01 steps)

[BLACK GAMMA]

Sets the gamma curves of dark areas.

[-8]...[-1]	Compresses the dark area.
[OFF]	Standard state
[1]...[8]	Expands dark areas.

[B.GAMMA RANGE]

Sets the maximum level of compression/expansion.

[1]	Around 20%
[2]	Around 30%
[3]	Around 40%

[MATRIX TABLE]

Selects the color correction table when the <GAIN> switch is set to <L>.

The items that can be set are as follows.

- [A], [B], [OFF]

[COLOR CORRECT]

Enables/disables the [COLOR CORRECTION] function when the <GAIN> switch is set to <L>.

The items that can be set are as follows.

- [ON], [OFF]

[MID SETTING]

[MASTER GAIN]

Sets the gain value to be assigned to <M> of the <GAIN> switch.

- [-6dB]...[30dB]

[H.DTL LEVEL]

Sets the intensity of the detail level in the horizontal direction.

The items that can be set are as follows.

- [-7]...[7]

[V.DTL LEVEL]

Sets the intensity of the detail level in the vertical direction.

The items that can be set are as follows.

- [-7]...[7]

[DTL CORING]

Sets the level of signal (including noise) that does not activate the detail effect.

The items that can be set are as follows.

- [0]...[60]

[DTL FREQ.]

Sets the thickness of the detail.

The items that can be set are as follows.

- [-7]...[7]

[LEVEL DEPEND.]

When the detail of luminosity signal is emphasized, details in the darker areas are compressed.

Details of bright areas are compressed more when the value set for [LEVEL DEPEND.] is larger.

The items that can be set are as follows.

- [-7]...[7]

[MASTER GAMMA]

Performs the setting of the master gamma in 0.01 steps.

The items that can be set are as follows.

- [0.30] ... [0.75] (0.01 steps)

[BLACK GAMMA]

Sets the gamma curves of dark areas.

[-8]...[-1]	Compresses the dark area.
-------------	---------------------------

[OFF]	Standard state
[1]...[8]	Expands dark areas.

[B.GAMMA RANGE]

Sets the maximum level of compression/expansion.

[1]	Around 20%
[2]	Around 30%
[3]	Around 40%

[MATRIX TABLE]

Selects the color correction table when the <GAIN> switch is set to <M>.

The items that can be set are as follows.

- [A], [B], [OFF]

[COLOR CORRECT]

Enables/disables the [COLOR CORRECTION] function when the <GAIN> switch is set to <M>.

The items that can be set are as follows.

- [ON], [OFF]

[HIGH SETTING]

[MASTER GAIN]

Sets the gain value to be assigned to <H> of the <GAIN> switch.

- [-6dB]...[30dB]

[H.DTL LEVEL]

Sets the intensity of the detail level in the horizontal direction.

The items that can be set are as follows.

- [-7]...[7]

[V.DTL LEVEL]

Sets the intensity of the detail level in the vertical direction.

The items that can be set are as follows.

- [-7]...[7]

[DTL CORING]

Sets the level of signal (including noise) that does not activate the detail effect.

The items that can be set are as follows.

- [0]...[60]

[DTL FREQ.]

Sets the thickness of the detail.

The items that can be set are as follows.

- [-7]...[7]

[LEVEL DEPEND.]

When the detail of luminosity signal is emphasized, details in the darker areas are compressed.

Details of bright areas are compressed more when the value set for [LEVEL DEPEND.] is larger.

The items that can be set are as follows.

- [-7]...[7]

[MASTER GAMMA]

Performs the setting of the master gamma in 0.01 steps.

The items that can be set are as follows.

- [0.30] ... [0.75] (0.01 steps)

[BLACK GAMMA]

Sets the gamma curves of dark areas.

[-8]...[-1]	Compresses the dark area.
[OFF]	Standard state
[1]...[8]	Expands dark areas.

[B.GAMMA RANGE]

Sets the maximum level of compression/expansion.

[1]	Around 20%
[2]	Around 30%
[3]	Around 40%

[MATRIX TABLE]

Selects the color correction table when the <GAIN> switch is set to <H>.

The items that can be set are as follows.

- [A], [B], [OFF]

[COLOR CORRECT]

Enables/disables the [COLOR CORRECTION] function when the <GAIN> switch is set to <H>.

The items that can be set are as follows.

- [ON], [OFF]

[DRS]

Enables/disables the dynamic range stretcher function.

If functions are assigned to the USER buttons, [ON]/[OFF] can be switched using the USER button operations.

The items that can be set are as follows.

- [ON], [OFF]

[DRS EFFECT DEPTH]

Sets the compression level of the high luminosity areas of the dynamic range stretcher function.

By compressing the video signal levels of the high luminosity areas that are blown out in normal shooting, the dynamic range can be expanded.

The items that can be set are as follows.

- [1]...[3]

[DNR]

Changes the noise reduction setting and adjusts the noise reduction effect.

The items that can be set are as follows.

- [OFF], [1], [2]

[CAMERA SETTINGS]

[DETAIL]

Enables/disables the detail function.

The items that can be set are as follows.

- [ON], [OFF]

[GAMMA]

Enables/disables the gamma correction.

The items that can be set are as follows.

- [ON], [OFF]

[TEST SAW]

Enables/disables the test signal.

The items that can be set are as follows.

- [ON], [OFF]

[FLARE]

Enables/disables the flare correction.

The items that can be set are as follows.

- [ON], [OFF]

[H-F COMPE.]

Enables/disables the aperture correction.

The items that can be set are as follows.

- [ON], [OFF]

[AUDIO] menu

Sets the input/output function of audio.

[INPUT SETTINGS]

[FRONT MIC POWER]

Sets the phantom power supply of the front microphone.

The items that can be set are as follows.

- [ON], [OFF]

(Factory setting: [ON])

[REAR MIC POWER]

Sets the phantom power supply of the rear microphone.

When [OFF] is selected, the phantom power supply is not output even if the microphone input power selector switch is set to <+48V>.

The items that can be set are as follows.

- [ON], [OFF]

(Factory setting: [ON])

[FRONT MIC LEVEL]

Sets the input level of the external microphone connected to the front <MIC IN> terminal of the camera.

This is enabled only when an external microphone is connected to the <MIC IN> terminal.

The items that can be set are as follows.

- [-40dB], [-50dB], [-60dB]

(Factory setting: [-40dB])

[REAR MIC CH1/3 LEVEL]

Sets the audio input level of the external microphone connected to the rear <AUDIO IN CH1/3> terminal of the camera.

This is enabled only when the <LINE>/<MIC> selector switch is set to <MIC>.

The items that can be set are as follows.

- [-40dB], [-50dB], [-60dB]

(Factory setting: [-60dB])

[REAR MIC CH2/4 LEVEL]

Sets the audio input level of the external microphone connected to the rear <AUDIO IN CH2/4> terminal of the camera.

This is enabled only when the <LINE>/<MIC> selector switch is set to <MIC>.

The items that can be set are as follows.

- [-40dB], [-50dB], [-60dB]

(Factory setting: [-60dB])

[REAR LINE IN LEVEL]

Sets the audio input level of the device connected to the rear <AUDIO IN CH1/3>/<AUDIO IN CH2/4> terminal of the camera.

This is enabled only when the <LINE>/<MIC> selector switch is set to <LINE>.

The items that can be set are as follows.

- [-3dB], [0dB], [4dB]

(Factory setting: [4dB] (when [AREA SETTINGS] is [AREA 1]/[AREA 2]/[AREA 4]), [0dB] (when [AREA SETTINGS] is [AREA 3]))

[WIRELESS WARN]

Selects whether to display a warning when the reception status of the wireless microphone receiver is poor.

The items that can be set are as follows.

- [ON], [OFF]

(Factory setting: [OFF])

[WIRELESS TYPE]

Selects the type of wireless microphone receiver.

[SINGLE]	Selects a single channel type wireless microphone receiver.
[DUAL]	Selects a double channel type wireless microphone receiver.

(Factory setting: [SINGLE])

[REC CH SETTINGS]

[VOL. SELECT]

Selects which audio channel to assign to the <AUDIO LEVEL CH1/3>/<AUDIO LEVEL CH2/4> dial and the <F.AUDIO LEVEL> dial.

[CH1/2]	Assigns level adjustment of the audio channels 1 and 2. Audio channels 3 and 4 can be automatically adjusted or adjusted by [CH3 LEVEL CONTROL] or [CH4 LEVEL CONTROL].
[CH3/4]	Assigns level adjustment of the audio channels 3 and 4. Audio channels 1 and 2 can be automatically adjusted or adjusted by [CH1 LEVEL CONTROL] or [CH2 LEVEL CONTROL].

(Factory setting: [CH1/2])

[FRONT VOL. CH1]

Selects if the <F.AUDIO LEVEL> dial is enabled against the audio signal input to the audio channel 1.

[FRONT]	This is enabled when the <AUDIO IN CH1> switch is set to <FRONT>.
[W.L.]	This is enabled when the <AUDIO IN CH1> switch is set to <W.L.>.
[REAR]	This is enabled when the <AUDIO IN CH1> switch is set to <REAR>.
[ALL]	The <F.AUDIO LEVEL> dial is enabled regardless of the setting of the <AUDIO IN CH1> switch.
[OFF]	The <F.AUDIO LEVEL> dial is disabled regardless of the setting of the <AUDIO IN CH1> switch.

(Factory setting: [OFF])

[FRONT VOL. CH2]

Selects if the <F.AUDIO LEVEL> dial is enabled against the audio signal input to the audio channel 2.

[FRONT]	This is enabled when the <AUDIO IN CH2> switch is set to <FRONT>.
---------	---

[W.L.]	This is enabled when the <AUDIO IN CH2> switch is set to <W.L.>.
[REAR]	This is enabled when the <AUDIO IN CH2> switch is set to <REAR>.
[ALL]	The <F.AUDIO LEVEL> dial is enabled regardless of the setting of the <AUDIO IN CH2> switch.
[OFF]	The <F.AUDIO LEVEL> dial is disabled regardless of the setting of the <AUDIO IN CH2> switch.

(Factory setting: [OFF])

[FRONT VOL. CH3]

Selects if the <F.AUDIO LEVEL> dial is enabled against the audio signal input to the audio channel 3.

[FRONT]	This is enabled when the <AUDIO IN CH3> switch is set to <FRONT>.
[W.L.]	This is enabled when the <AUDIO IN CH3> switch is set to <W.L.>.
[REAR]	This is enabled when the <AUDIO IN CH3> switch is set to <REAR>.
[ALL]	The <F.AUDIO LEVEL> dial is enabled regardless of the setting of the <AUDIO IN CH3> switch.
[OFF]	The <F.AUDIO LEVEL> dial is disabled regardless of the setting of the <AUDIO IN CH3> switch.

(Factory setting: [OFF])

[FRONT VOL. CH4]

Selects if the <F.AUDIO LEVEL> dial is enabled against the audio signal input to the audio channel 4.

[FRONT]	This is enabled when the <AUDIO IN CH4> switch is set to <FRONT>.
[W.L.]	This is enabled when the <AUDIO IN CH4> switch is set to <W.L.>.
[REAR]	This is enabled when the <AUDIO IN CH4> switch is set to <REAR>.
[ALL]	The <F.AUDIO LEVEL> dial is enabled regardless of the setting of the <AUDIO IN CH4> switch.
[OFF]	The <F.AUDIO LEVEL> dial is disabled regardless of the setting of the <AUDIO IN CH4> switch.

(Factory setting: [OFF])

[CH1 LEVEL]

Select auto/manual for the method to adjust the recording level of the audio channel 1.

The items that can be set are as follows.

- [AUTO], [MANUAL]

(Factory setting: [AUTO])

[CH2 LEVEL]

Select auto/manual for the method to adjust the recording level of the audio channel 2.

The items that can be set are as follows.

- [AUTO], [MANUAL]

(Factory setting: [AUTO])

[CH3 LEVEL]

Select auto/manual for the method to adjust the recording level of the audio channel 3.

The items that can be set are as follows.

- [AUTO], [MANUAL]

(Factory setting: [AUTO])

[CH4 LEVEL]

Select auto/manual for the method to adjust the recording level of the audio channel 4.

The items that can be set are as follows.

- [AUTO], [MANUAL]

(Factory setting: [AUTO])

[CH1 LEVEL CONTROL]

The recording level can be manually adjusted when [CH1 LEVEL] which adjusts the recording level of the audio channel 1 is set to [MANUAL].

The items that can be set are as follows.

- [0]...[100]

(Factory setting: [70])

[CH2 LEVEL CONTROL]

The recording level can be manually adjusted when [CH2 LEVEL] which adjusts the recording level of the audio channel 2 is set to [MANUAL].

The items that can be set are as follows.

- [0]...[100]

(Factory setting: [70])

[CH3 LEVEL CONTROL]

The recording level can be manually adjusted when [CH3 LEVEL] which adjusts the recording level of the audio channel 3 is set to [MANUAL].

The items that can be set are as follows.

- [0]...[100]

(Factory setting: [70])

[CH4 LEVEL CONTROL]

The recording level can be manually adjusted when [CH4 LEVEL] which adjusts the recording level of the audio channel 4 is set to [MANUAL].

The items that can be set are as follows.

- [0]...[100]

(Factory setting: [70])

[CH1 MIC LOWCUT]

Enables/disables the lowcut filter for audio channel 1.

The items that can be set are as follows.

- [FRONT], [W.L.], [REAR], [OFF]

(Factory setting: [OFF])

[CH2 MIC LOWCUT]

Enables/disables the lowcut filter for audio channel 2.

The items that can be set are as follows.

- [FRONT], [W.L.], [REAR], [OFF]

(Factory setting: [OFF])

[CH3 MIC LOWCUT]

Enables/disables the lowcut filter for audio channel 3.

The items that can be set are as follows.

- [FRONT], [W.L.], [REAR], [OFF]

(Factory setting: [OFF])

[CH4 MIC LOWCUT]

Enables/disables the lowcut filter for audio channel 4.

The items that can be set are as follows.

- [FRONT], [W.L.], [REAR], [OFF]

(Factory setting: [OFF])

[CH1 LIMITER]

Enables/disables the limiter when the method to adjust the recording level for audio channel 1 is manual.

The items that can be set are as follows.

- [ON], [OFF]

(Factory setting: [OFF])

[CH2 LIMITER]

Enables/disables the limiter when the method to adjust the recording level for audio channel 2 is manual.

The items that can be set are as follows.

- [ON], [OFF]

(Factory setting: [OFF])

[CH3 LIMITER]

Enables/disables the limiter when the method to adjust the recording level for audio channel 3 is manual.

The items that can be set are as follows.

- [ON], [OFF]

(Factory setting: [OFF])

[CH4 LIMITER]

Enables/disables the limiter when the method to adjust the recording level for audio channel 4 is manual.

The items that can be set are as follows.

- [ON], [OFF]

(Factory setting: [OFF])

[HEAD ROOM]

Sets the headroom (standard level).

The items that can be set are as follows.

- [18dB], [20dB]

(Factory setting: [20dB] (when [AREA SETTINGS] is set to [AREA 1]/[AREA 2]), [18dB] (when [AREA SETTINGS] is set to [AREA 3]/[AREA 4]))

[OUTPUT SETTINGS]

[MONITOR SELECT]

Selects the signal format to output to the monitor when the <MONITOR SELECT> switch is set to <ST> (stereo).

The items that can be set are as follows.

- [STEREO], [MIX]

(Factory setting: [STEREO])

[AUDIO OUT LEVEL]

Selects the audio output level.

The items that can be set are as follows.

- [-3dB], [0dB], [4dB]

(Factory setting: [4dB] (when [AREA SETTINGS] is [AREA 1]/[AREA 2]/[AREA 4]), [0dB] (when [AREA SETTINGS] is [AREA 3]))

[HDMI OUT CH]

Selects the audio channel to be output from the <HDMI> terminal.

[CH1/2]	Outputs the audio signals of the audio channel 1 and the audio channel 2 as stereo.
[CH3/4]	Outputs the audio signals of the audio channel 3 and the audio channel 4 as stereo.

(Factory setting: [CH1/2])

[ALARM]

[BATTERY NEAR END]

Sets whether to sound the alarm when the remaining battery level is near end.

The items that can be set are as follows.

- [ON], [OFF]

(Factory setting: [OFF])

[BATTERY NEAR END CANCEL]

When set to [ON], the output alarm sound or warning displayed for the battery near end can be cancelled by pressing the <MARKER SEL>/<MODE CHECK> switch to the <MCK> side.

The items that can be set are as follows.

- [ON], [OFF]

(Factory setting: [ON])

[BATTERY END]

Sets whether to sound the alarm when the remaining battery level is exhausted.

The items that can be set are as follows.

- [ON], [OFF]

(Factory setting: [OFF])

[MEDIA NEAR END]

Sets whether to sound the alarm when the remaining memory card capacity is near end.

The items that can be set are as follows.

- [ON], [OFF]

(Factory setting: [OFF])

[MEDIA END]

Sets whether to sound the alarm when the remaining memory card capacity is exhausted.

The items that can be set are as follows.

- [ON], [OFF]

(Factory setting: [OFF])

[WARNING]

Sets whether to sound the alarm when a system error or warning occurs.

The items that can be set are as follows.

- [ON], [OFF]

(Factory setting: [OFF])

[VIDEO OUT/LCD/VF] menu

Configures the settings for the external output, the information to display in the LCD monitor or viewfinder and the output format.

[SDI OUT1]

[OUTPUT SW]

Enables/disables the output from the <SDI OUT1> terminal.

[ON]	Outputs the video.
[OFF]	Does not output the video.

(Factory setting: [ON])

[OUT FORMAT]

Selects the signal to output from the <SDI OUT1> terminal. The item that can be selected varies depending on the setting of the [SYSTEM] menu → [FREQUENCY]/[FILE FORMAT]/[REC FORMAT].

[3840×2160p]	Outputs in 3840×2160p.
[1920×1080p]	Outputs in 1920×1080p.
[1920×1080i]	Outputs in 1920×1080i.

[1920×1080PsF]	Outputs in 1920×1080PsF.
[1280×720p]	Outputs in 1280×720p.

(Factory setting: [1920×1080i])

 **NOTE**

• For the combinations that can be set, refer to “Format that can be output from the <SDI OUT1> terminal” (page 180).

[3G-SDI OUT]

Sets the format of the 3G-SDI signal output from the <SDI OUT1> terminal.
Can be set when the 3G-SDI signal is output.

[LEVEL-A]	Selects the LEVEL-A method.
[LEVEL-B]	Selects the LEVEL-B DL method.

(Factory setting: [LEVEL-B])

[SDI REC REMOTE]

Sets if the recording operation against the external equipment connected to the <SDI OUT1> terminal (such as recorder) is to be controlled or not.

[ON]	Controls the recording operation of the external equipment.
[OFF]	Does not control the recording operation of the external equipment.

(Factory setting: [OFF])

 **NOTE**

• This cannot be set when set to the [RECORDING] menu → [REC FUNCTION] → [REC MODE] → [INTERVAL].

[SDI OUT CHAR]

Sets whether to superimpose the character to the output from the <SDI OUT1> terminal.

[ON]	Superimposes.
[OFF]	Does not superimpose.

(Factory setting: [OFF])

[SDI OUT ZEBRA]

Sets whether to superimpose the zebra signal to the output from the <SDI OUT1> terminal.
The setting of the zebra signal is in accordance with the following setting in the [VIDEO OUT/LCD/VF] menu → [EI ASSIST].
• [ZEBRA1 DETECT], [ZEBRA2 DETECT], [ZEBRA2]

[ON]	Superimposes.
[OFF]	Does not superimpose.

(Factory setting: [OFF])

[SDI OUT HDR]

Sets the signal to output from the <SDI OUT1> terminal.

[SDR]	Outputs in the standard dynamic range.
[HDR]	Outputs in the high dynamic range.

(Factory setting: [HDR])

 **NOTE**

• When the [SCENE FILE] menu → [GAMMA MODE SEL] is set to anything other than [HLG], the camera image is output in the standard dynamic range.

[MARKER SW]

Marker is displayed in the output from the <SDI OUT1> terminal.
The items that can be set are as follows.
• [ON], [OFF]
(Factory setting: [OFF])

[SDI OUT2]

[OUTPUT SW]

Enables/disables the output from the <SDI OUT2> terminal.

[ON]	Outputs the video.
[OFF]	Does not output the video.

(Factory setting: [ON])

[OUT FORMAT]

Sets the signal to output from the <SDI OUT2> terminal. The item that can be selected varies depending on the [SYSTEM] menu → [FREQUENCY]/[FILE FORMAT]/[REC FORMAT] setting.

[1920×1080p]	Outputs in 1920×1080p.
[1920×1080i]	Outputs in 1920×1080i.
[1920×1080PsF]	Outputs in 1920×1080PsF.
[1280×720p]	Outputs in 1280×720p.
[720×480i]	Outputs in 720×480i.
[720×576i]	Outputs in 720×576i.

(Factory setting: [1920×1080i])

 **NOTE**

- For the combinations that can be set, refer to “Format that can be output from the <SDI OUT2> terminal” (page 180).

[3G-SDI OUT]

Sets the format of the 3G-SDI signal output from the <SDI OUT2> terminal.

Can be set when the 3G-SDI signal is output.

[LEVEL-A]	Selects the LEVEL-A method.
[LEVEL-B]	Selects the LEVEL-B DL method.

(Factory setting: [LEVEL-B])

[SD-SDI EDH]

Sets whether to superimpose EDH when output from the <SDI OUT2> terminal is the SD signal (480i and 576i).

[ON]	Superimposes.
[OFF]	Does not superimpose.

(Factory setting: [ON])

[SDI REC REMOTE]

Sets if the recording operation against the external equipment connected to the <SDI OUT2> terminal (such as recorder) is to be controlled or not.

[ON]	Controls the recording operation of the external equipment.
[OFF]	Does not control the recording operation of the external equipment.

(Factory setting: [OFF])

 **NOTE**

- This cannot be set when set to the [RECORDING] menu → [REC FUNCTION] → [REC MODE] → [INTERVAL].

[SDI OUT ZEBRA]

Sets whether to superimpose the zebra signal to the output from the <SDI OUT2> terminal.

The setting of the zebra signal is in accordance with the following setting in the [VIDEO OUT/LCD/VF] menu → [EI ASSIST].

- [ZEBRA1 DETECT], [ZEBRA2 DETECT], [ZEBRA2]

[ON]	Superimposes.
[OFF]	Does not superimpose.

(Factory setting: [OFF])

[SDI OUT HDR]

Sets the signal to output from the <SDI OUT2> terminal.

[SDR]	Outputs in the standard dynamic range.
[HDR]	Outputs in the high dynamic range.

(Factory setting: [HDR])

 **NOTE**

- The setting is fixed to [SDR] when set to the following menu.
 - [VIDEO OUT/LCD/VF] menu → [SDI OUT2] → [OUT FORMAT] → [720×480i]
 - [VIDEO OUT/LCD/VF] menu → [SDI OUT2] → [OUT FORMAT] → [720×576i]
- The camera image is output in the standard dynamic range when the [SCENE FILE] menu → [GAMMA MODE SEL] is set to anything other than [HLG].

[MARKER SW]

Marker is displayed in the output from the <SDI OUT2> terminal.

The items that can be set are as follows.

- [ON], [OFF]

(Factory setting: [OFF])

[SDI OUTPUT ITEM]

Sets the character content to superimpose on the output signal of the <SDI OUT1>/<SDI OUT2>/<HDMI> terminals.

[MENU ONLY]	Superimposes only the menu when displaying the menu. Normally, nothing is superimposed.
-------------	---

[TC]	Superimposes the time code. Superimposes only the menu when displaying the menu.
[STATUS]	Displays the same contents as all the characters displayed in the viewfinder and the LCD monitor. Superimposes only the menu when displaying the menu.

(Factory setting: [MENU ONLY])

[HDMI OUT]

[SIGNAL SEL]

Sets the signal to output from the <HDMI> terminal.

The items that can be set are as follows.

- [SDI OUT1(2160p)], [SDI OUT2]

(Factory setting: [SDI OUT2])

NOTE

- [SDI OUT1(2160p)] can be selected only when [OUT FORMAT] of [SDI OUT1] is set to [3840×2160p]. This is fixed to [SDI OUT2] when [OUT FORMAT] of [SDI OUT1] is set to anything other than [3840×2160p].

[HDMI TC OUT]

Sets if the time code information is output or not in the output from the <HDMI> terminal.

The items that can be set are as follows.

- [ON], [OFF]

(Factory setting: [OFF])

[HDMI REC REMOTE]

Sets if the recording operation against the external equipment connected to the <HDMI> terminal (such as recorder) is to be controlled or not. This can be set when [HDMI TC OUT] in [HDMI OUT] is enabled.

[ON]	Controls the recording operation of the external equipment.
[OFF]	Does not control the recording operation of the external equipment.

(Factory setting: [OFF])

NOTE

- This cannot be set when set to the [RECORDING] menu → [REC FUNCTION] → [REC MODE] → [INTERVAL].

[SD DOWNCON MODE]

Sets the mode of the SD down converter output signal from the <SDI OUT2>/<HDMI OUT> terminal.

[SIDE CROP]	Outputs an equal top and bottom width.
[LETTER BOX]	Outputs an equal right and left width.
[SQUEEZE]	Outputs by compressing in the horizontal direction to fit the screen.

(Factory setting: [LETTER BOX])

[VF COLOR]

Selects whether to display viewfinder images in color or in black and white.

[ON]	Displays in color.
[OFF]	Displays in black and white. The playback image, thumbnail screen, and menu display will be kept in color.

(Factory setting: [ON])

[LCD]

[BRIGHTNESS]

Adjusts the brightness of the LCD monitor.

The items that can be set are as follows.

- [-15]...[15]

(Factory setting: [0])

[COLOR LEVEL]

Adjusts the color level of the LCD monitor.

The items that can be set are as follows.

- [-15]...[15]

(Factory setting: [0])

[CONTRAST]

Adjusts the contrast of the LCD monitor.

The items that can be set are as follows.

- [-30]...[30]

(Factory setting: [0])

[BACK LIGHT]

Adjusts the brightness of the LCD monitor backlight. [0] is the standard brightness.

The items that can be set are as follows.

- [-1], [0], [1], [2]

(Factory setting: [0])

[SELF SHOOT]

Sets the display of the LCD monitor when mirror shooting is performed.

[NORMAL]	Does not invert the left and right sides.
[MIRROR]	Inverts the left and right sides.

(Factory setting: [MIRROR])

[LCD/VF HDR]

Sets the output image from the LCD monitor and viewfinder.

[SDR]	Outputs in the standard dynamic range.
[HDR]	Outputs in the high dynamic range.

(Factory setting: [HDR])

 **NOTE**

- When the [SCENE FILE] menu → [GAMMA MODE SEL] is set to anything other than [HLG], the camera image is output in the standard dynamic range.

[INDICATOR]

Selects the indicator to display in the output image.

[INDICATOR SW]

Selects the status display method.

[ON]	Status is displayed constantly.
[OFF]	Normally, status is not displayed. This is displayed when the mode check screen is displayed by pressing the <MARKER SEL>/<MODE CHECK> switch toward the <MCK> side.

(Factory setting: [ON])

[TC]

Displays/hides the time code, user bits, and counter.

The items that can be set are as follows.

- [ON], [OFF]

(Factory setting: [OFF])

[TC ON COLOR BAR]

Selects whether to display the time code, user bits, and counter when color bar is output.

The items that can be set are as follows.

- [ON], [OFF]

(Factory setting: [OFF])

[REC STATUS]

Sets whether to display [REC] during recording.

[ON]	[REC] is displayed.
[OFF]	[REC] is not displayed. However, [REC] is displayed when set to the [OTHERS] menu → [LED] → [REC TALLY] → [CHAR].

(Factory setting: [OFF])

[REC MEDIA]

Displays/hides the setting status of the memory card format to record.

The items that can be set are as follows.

- [ON], [OFF]

(Factory setting: [ON])

[SLOT STATUS]

Displays/hides the status of the card slot and remaining memory card capacity.

The items that can be set are as follows.

- [ON], [OFF]

(Factory setting: [ON])

[2 SLOTS FUNC.]

Displays/hides the setting in the [RECORDING] menu → [2 SLOTS FUNC.].

The items that can be set are as follows.

- [ON], [OFF]

(Factory setting: [ON])

[STREAMING]

Displays/hides the streaming status.

The items that can be set are as follows.

- [ON], [OFF]

(Factory setting: [ON])

[NETWORK]

Displays/hides the wireless LAN and wired LAN connection status.

The items that can be set are as follows.

- [ON], [OFF]

(Factory setting: [ON])

[BATTERY REMAIN]

Displays/hides the remaining battery level.

The items that can be set are as follows.

- [ON], [OFF]

(Factory setting: [ON])

[REC FORMAT]

Displays/hides the recording format settings.

The items that can be set are as follows.

- [ON], [OFF]

(Factory setting: [ON])

[CLIP NAME]

Displays/hides the clip file name to be recorded. Up to eight characters from the beginning of the file name are displayed.

The items that can be set are as follows.

- [ON], [OFF]

(Factory setting: [ON])

[BONDING DEVICE]

Displays/hides the status of the device acquired from the bonding device.

This is not displayed when the device status cannot be acquired from the bonding device even if [ON] is selected.

The items that can be set are as follows.

- [ON], [OFF]

(Factory setting: [ON])

[REC REMOTE]

Displays/hides the remote control status of the external equipment connected to the <SDI OUT1>/<SDI OUT2>/<HDMI> terminals.

The items that can be set are as follows.

- [ON], [OFF]

(Factory setting: [ON])

[REC MODE]

Displays/hides the status of the interval recording.

The items that can be set are as follows.

- [ON], [OFF]

(Factory setting: [ON])

[FBC]

Displays/hides the operation status of the flash band compensation function.

The items that can be set are as follows.

- [ON], [OFF]

(Factory setting: [ON])

[HDR/DRS]

Displays/hides the operation status of the high dynamic range recording function or the dynamic range stretcher function.

The items that can be set are as follows.

- [ON], [OFF]

(Factory setting: [ON])

[CAC]

Displays/hides the operation status of the chromatic aberration compensation function.

The items that can be set are as follows.

- [ON], [OFF]

(Factory setting: [ON])

[GAMMA MODE]

Displays/hides the gamma mode.

The items that can be set are as follows.

- [ON], [OFF]

(Factory setting: [ON])

[SCENE FILE]

Displays/hides scene file name.

The items that can be set are as follows.

- [ON], [OFF]

(Factory setting: [ON])

[AUDIO LEVEL METER]

Displays/hides the audio level meter.

The items that can be set are as follows.

- [ON], [OFF]

(Factory setting: [ON])

[GAIN]

Displays/hides the gain value and the digital super gain value.

The items that can be set are as follows.

- [ON], [OFF]

(Factory setting: [ON])

[SHUTTER]

Displays/hides the shutter speed.

The items that can be set are as follows.

- [ON], [OFF]

(Factory setting: [ON])

[IRIS]

Displays/hides the F value, operation status of the super iris, and the operation status of the super black.

[IRIS]	Displays only the F value.
[S+IRIS]	Displays all.
[S]	Displays only the operation status of the super iris and operation status of the super black.
[OFF]	Does not display.

(Factory setting: [S+IRIS])

 **NOTE**

- The display of the F value and the display of the iris override are linked. The F value is displayed while changing the iris override even when set to [S] or [OFF].

[ZOOM/FOCUS]

Switches the unit of zoom and focus values.

[NUMBER]	Displays the zoom and focus in the position value between [000]/[00] and [999]/[99].
[mm/feet]	Displays the zoom in units of millimeters and the focus in units of feet.
[mm/m]	Displays the zoom in units of millimeters and the focus in units of meters.
[OFF]	Does not display either the zoom or focus.

(Factory setting: [NUMBER])

[FILTER]

Displays/hides the positions of the ND filter and the CC filter.

The items that can be set are as follows.

- [ON], [OFF]

(Factory setting: [ON])

[WHITE BALANCE]

Displays/hides the color temperature.

The items that can be set are as follows.

- [ON], [OFF]

(Factory setting: [ON])

[DATE/TIME]

Displays/hides the date and time.

Display order of the year, month, and date follows the setting in the [OTHERS] menu → [CLOCK] → [DATE FORMAT].

[OFF]	Does not display the date and time.
[DATE]	Displays only the date.

[TIME]	Displays only the time.
[DATE&TIME]	Displays the date and time.

(Factory setting: [OFF])

[SHOOTING MODE]

Displays/hides high-sensitivity mode.

The items that can be set are as follows.

- [ON], [OFF]

(Factory setting: [ON])

[EXTENDER]

Displays/hides the display whether lens extender function is active.

The items that can be set are as follows.

- [ON], [OFF]

(Factory setting: [ON])

[D.ZOOM]

Displays/hides the digital zoom ratio.

The items that can be set are as follows.

- [ON], [OFF]

(Factory setting: [ON])

[PLAYBACK STATUS]

Displays/hides the playback status.

The items that can be set are as follows.

- [ON], [OFF]

(Factory setting: [ON])

[MODE CHECK INDICATOR]

[STATUS]

Sets whether to display the STATUS screen when the <MARKER SEL>/<MODE CHECK> switch is pushed to the <MCK> side.

The items that can be set are as follows.

- [ON], [OFF]

(Factory setting: [ON])

[!LED]

Sets whether to display the !LED screen when the <MARKER SEL>/<MODE CHECK> switch is pushed to the <MCK> side.

The cause for the viewfinder lamp is illuminated is displayed by [!] with black and white inverted.

The items that can be set are as follows.

- [ON], [OFF]

(Factory setting: [ON])

[FUNCTION]

Sets whether to display the FUNCTION screen when the <MARKER SEL>/<MODE CHECK> switch is pushed to the <MCK> side.

The items that can be set are as follows.

- [ON], [OFF]

(Factory setting: [ON])

[AUDIO]

Sets whether to display the AUDIO screen when the <MARKER SEL>/<MODE CHECK> switch is pushed to the <MCK> side.

The items that can be set are as follows.

- [ON], [OFF]

(Factory setting: [ON])

[CAC]

Sets whether to display the CAC screen when the <MARKER SEL>/<MODE CHECK> switch is pushed to the <MCK> side.

The items that can be set are as follows.

- [ON], [OFF]

(Factory setting: [ON])

[USER SW STATUS]

Selects whether to display the SWITCH screen when the <MARKER SEL>/<MODE CHECK> switch is pushed to the <MCK> side.

The items that can be set are as follows.

- [ON], [OFF]

(Factory setting: [ON])

[NETWORK]

Selects whether to display the NETWORK screen when the <MARKER SEL>/<MODE CHECK> switch is pushed to the <MCK> side.

The items that can be set are as follows.

- [ON], [OFF]

(Factory setting: [ON])

[SDI OUT1 MARKER]

[CENTER MARKER]

Switch the type of the center marker.

[1]	+ (large)
[2]	Open center (large)
[3]	+ (small)
[4]	Open center (small)
[OFF]	Does not display.

(Factory setting: [1])

[SAFETY MARKER]

Selects the type of frame for the safety zone marker.

[1]	Box
[2]	Corners
[OFF]	Does not display.

(Factory setting: [2])

[SAFETY AREA]

Sets the size of the safety zone marker.

It can be set in 1% steps with the ratio of length to width constant.

The items that can be set are as follows.

- [80%]...[100%]

(Factory setting: [90%])

[FRAME MARKER]

Sets the aspect ratio of the frame marker. The frame marker is not displayed when [OFF] is selected.

The items that can be set are as follows.

- [4:3], [13:9], [14:9], [1.85:1], [2.35:1], [OFF]

(Factory setting: [OFF])

[FRAME COLOR]

Sets the color of the frame marker.

The items that can be set are as follows.

- [WHITE], [BLACK], [RED], [GREEN], [BLUE], [YELLOW]

(Factory setting: [WHITE])

[SDI OUT2 MARKER]

[CENTER MARKER]

Switch the type of the center marker.

[1]	+ (large)
[2]	Open center (large)
[3]	+ (small)
[4]	Open center (small)
[OFF]	Does not display.

(Factory setting: [1])

[SAFETY MARKER]

Selects the type of frame for the safety zone marker.

[1]	Box
[2]	Corners
[OFF]	Does not display.

(Factory setting: [2])

[SAFETY AREA]

Sets the size of the safety zone marker.

It can be set in 1% steps with the ratio of length to width constant.

The items that can be set are as follows.

- [80%]...[100%]

(Factory setting: [90%])

[FRAME MARKER]

Sets the aspect ratio of the frame marker. The frame marker is not displayed when [OFF] is selected.

The items that can be set are as follows.

- [4:3], [13:9], [14:9], [1.85:1], [2.35:1], [OFF]

(Factory setting: [OFF])

[FRAME COLOR]

Sets the color of the frame marker.

The items that can be set are as follows.

- [WHITE], [BLACK], [RED], [GREEN], [BLUE], [YELLOW]

(Factory setting: [WHITE])

[LCD/VF MARKER]

[TABLE]

Selects the setting table of the marker select function. Check or set the details of [A]/[B] at subsequent settings.

The items that can be set are as follows.

- [A], [B]

(Factory setting: [A])

[CENTER MARKER]

Switch the type of the center marker.

[1]	+ (large)
[2]	Open center (large)
[3]	+ (small)
[4]	Open center (small)
[OFF]	Does not display.

(Factory setting: [1])

[SAFETY MARKER]

Selects the type of frame for the safety zone marker.

[1]	Box
[2]	Corners
[OFF]	Does not display.

(Factory setting: [2])

[SAFETY AREA]

Sets the size of the safety zone marker.

It can be set in 1% steps with the ratio of length to width constant.

The items that can be set are as follows.

- [80%]...[100%]

(Factory setting: [90%])

[FRAME MARKER]

Sets the aspect ratio of the frame marker. The frame marker is not displayed when [OFF] is selected.

The items that can be set are as follows.

- [4:3], [13:9], [14:9], [1.85:1], [2.35:1], [OFF]

(Factory setting: [OFF])

[FRAME LEVEL]

Sets the level for outside of the frame marker.

[0]	Equivalent to when signal is off (blanking status).
[1]...[14]	Becomes brighter as the number becomes higher.
[15]	Becomes same brightness as the center area.

(Factory setting: [15])

[FRAME COLOR]

Sets the color of the frame marker.

The items that can be set are as follows.

- [WHITE], [BLACK], [RED], [GREEN], [BLUE], [YELLOW]

(Factory setting: [WHITE])

[FOCUS ASSIST]

[FOCUS ASSIST SELECT]

Sets the focus assist method when the USER button assigned with [FOCUS ASSIST] is operated.

[EXPAND]	Sets the enlarged display.
[PEAKING]	Sets the peaking display.
[SQUARES]	Sets the focus square display.
[EXPAND+PEAKING]	Displays in the combination of [EXPAND] and [PEAKING].
[EXPAND+SQUARES]	Displays in the combination of [EXPAND] and [SQUARES].

(Factory setting: [EXPAND])

[EXPAND MODE]

Sets the enlargement display function mode.

[10SEC]	Disables the enlarged display function after ten seconds have elapsed.
[HOLD]	Enables the enlarged display function until the <FOCUS ASSIST> button or the USER button assigned with [EXPAND] is pressed.
[UNTIL REC]	Enables the enlarged display function until recording starts.

(Factory setting: [10SEC])

[EXPAND VALUE]

Adjusts the enlargement factor of the enlarged display function.

The items that can be set are as follows.

- [×2], [×3], [×4]

(Factory setting: [×2])

[PEAKING LEVEL]

Sets the intensity of the peaking display.

The items that can be set are as follows.

- [LOW], [MID], [HIGH]

(Factory setting: [MID])

[PEAKING COLOR]

Sets the color of the peaking display.

The items that can be set are as follows.

- [RED], [GREEN], [WHITE]

(Factory setting: [RED])

[BLACK & WHITE]

Enables/disables the monochrome display.

[ON]	Enables the monochrome display.
[OFF]	Disables the monochrome display.
[DURING PEAKING]	Enables the monochrome display while the peaking display is enabled.

(Factory setting: [OFF])

[DETAIL]

Sets the intensity of the contour for the video to make it easier to focus.

The items that can be set are as follows.

- [ON], [OFF]

(Factory setting: [ON])

[DETAIL LEVEL]

Sets the intensity of the contours.

The items that can be set are as follows.

- [-3]...[3]

(Factory setting: [0])

[DETAIL FREQ.]

Adjusts the frequency of the contour highlights.

The items that can be set are as follows.

- [HIGH], [LOW]

(Factory setting: [LOW])

[EI ASSIST]

[ZEBRA1 DETECT]

Sets the detection level of zebra pattern 1.

The items that can be set are as follows.

- [0%]...[109%]

(Factory setting: [80%])

[ZEBRA2 DETECT]

Sets the detection level of zebra pattern 2.

The items that can be set are as follows.

- [0%]...[109%]

(Factory setting: [100%])

[ZEBRA2]

Enables/disables zebra pattern 2 and selects [SPOT].

The items that can be set are as follows.

- [ON], [SPOT], [OFF]

(Factory setting: [OFF])

[LOW LIGHT LEVEL]

Sets the amount of the light entering the camera to be the reference to display [LOW LIGHT].

The items that can be set are as follows.

- [OFF], [10%], [15%], [20%], [25%], [30%], [35%]

(Factory setting: [35%])

[WFM MODE]

Sets the display of the waveform monitor. Displaying of the waveform and the vector can be switched.

[WAVE]	Displays the waveform.
[VECTOR]	Displays the vector.
[WAVE/VECTOR]	Displays the waveform and the vector. The display switches in the order of waveform, vector, and no display every time the USER button assigned with [WFM] is pressed.

(Factory setting: [WAVE])

[WFM TRANSPARENCE]

Sets the transmittance of the waveform monitor.

The items that can be set are as follows.

- [0%], [25%], [50%]

(Factory setting: [25%])

[!LED]

[GAIN(0dB)]

Sets whether to illuminate the [!] lamp on the viewfinder when the gain is anything other than 0 dB.

The items that can be set are as follows.

- [ON], [OFF]

(Factory setting: [ON])

[DS.GAIN]

Sets whether to illuminate the [!] lamp on the viewfinder when [DS.GAIN] (incremental gain) is working.

The items that can be set are as follows.

- [ON], [OFF]

(Factory setting: [OFF])

[SHUTTER]

Sets whether to illuminate the [!] lamp on the viewfinder when the electronic shutter is working.

The items that can be set are as follows.

- [ON], [OFF]

(Factory setting: [ON])

[WHITE PRESET]

Sets whether to illuminate the [!] lamp on the viewfinder when the <WHITE BAL> switch is set to <PRST>.

The items that can be set are as follows.

- [ON], [OFF]

(Factory setting: [OFF])

[EXTENDER]

Sets whether to illuminate the [!] lamp on the viewfinder when the lens extender is working.

The items that can be set are as follows.

- [ON], [OFF]

(Factory setting: [ON])

[B.GAMMA]

Sets whether to illuminate the [!] lamp on the viewfinder when the black gamma is working.

The items that can be set are as follows.

- [ON], [OFF]

(Factory setting: [OFF])

[MATRIX]

Sets whether to illuminate the [!] lamp on the viewfinder when the color correction table for linear matrix is selected.

The items that can be set are as follows.

- [ON], [OFF]

(Factory setting: [OFF])

[COLOR CORRECTION]

Sets whether to illuminate the [!] lamp on the viewfinder when the <GAIN> switch matches the setting in the [SCENE FILE] menu → [COLOR CORRECTION], and the 16-axis independent color correction is set.

The items that can be set are as follows.

- [ON], [OFF]

(Factory setting: [OFF])

[FILTER]

Sets whether to illuminate the [!] lamp on the viewfinder for any setting combination other than the <CC FILTER> dial set to <A> (<3200 K>) and the <ND FILTER> dial set to <1> (<CLEAR>).

The items that can be set are as follows.

- [ON], [OFF]

(Factory setting: [OFF])

[ATW]

Sets whether to illuminate the [!] lamp on the viewfinder when the automatic tracking white balance function is working.

The items that can be set are as follows.

- [ON], [OFF]

(Factory setting: [OFF])

[RECORDING] menu

Sets the various items in the recording function.

[FORMAT MEDIA]

Formats the memory card in the specified card slot. Data deleted as a result of formatting cannot be restored. Always confirm the data before formatting.

The items that can be selected are as follows.

- [SLOT1], [SLOT2], [SLOT3]

[CLIP NAME]

[CAM INDEX]

Sets the CAM INDEX used in the name for the MOV format file to be recorded. Set one upper case alphabetical character. This is used as a value to be stored in the volume label of the memory card.

The items that can be set are as follows.

- [A]...[Z]

(Factory setting: [A])

[NEXT CARD COUNT]

Sets the CARD COUNT used in the name for the MOV format file to be recorded.

In the following cases, the setting value in [NEXT CARD COUNT] is stored in the volume label of the memory card together with the [CAM INDEX] setting value as CARD COUNT. Also, the setting value will increase one after storing. (It will return to [001] after [999])

- When formatted the memory card
- When recorded to the memory card where CARD COUNT is not stored in the volume label

The items that can be set are as follows.

- [001]...[999]

(Factory setting: [001])

[REC MEDIA]

Selects the memory card to be recorded.

- Recording is not possible when a memory card with the format that is not selected is inserted.

[expressP2]	Use the expressP2 card in the card slot 1.
[microP2/SD]	Use the microP2 card or the SD card in the card slot 2 or the card slot 3.

(Factory setting: [microP2/SD])

[FILE SPLIT]

Selects the split method of the file in P2 format to be recorded.

[ONE FILE]	Record as a single file on the expressP2 card or microP2 card with 32 GB or more. The recording format is AVC-Intra 422 or AVC-LongG.
------------	--

[SPLIT]	The file is split in 4 GB units regardless of the recording format or the memory card.
---------	--

(Factory setting: [SPLIT])

 **NOTE**

- When using a microP2 card with 32 GB or less, it is split every 4 GB regardless of selected item.
- A clip of 4 GB or more recorded by selecting [ONE FILE] cannot be copied to a microP2 card with 32 GB or less.
- The setting is fixed to [SPLIT] when recording format is AVC-Intra 200/AVC-Intra 100/AVC-Intra 50.

[2 SLOTS FUNC.]

Sets the recording function that uses card slots 2 and 3.

[OFF]	Does not set.
[RELAY REC]	Sets to the relay recording.
[SIMUL REC]	Sets to the simultaneous recording.

(Factory setting: [RELAY REC])

 **NOTE**

- For the combinations and restrictions of the settings, refer to “Recording function that cannot be used simultaneously” (page 210).

[PRE REC]

Sets whether to perform pre-recording.

The pre-recording time varies depending on the setting of the [SYSTEM] menu → [FILE FORMAT]/[REC FORMAT].

[ON]	<p>Performs the pre-recording. The pre-recording time is as follows.</p> <ul style="list-style-type: none"> • When [FILE FORMAT] is set to [P2]: Approximately 3 seconds • When [FILE FORMAT] is set to [MOV], and [REC FORMAT] is set to [2160-29.97p/422ALL-I 400M], [2160-25.00p/422ALL-I 400M], or [2160-23.98p/422ALL-I 400M]: Approximately 3 seconds • When [FILE FORMAT] is set to [MOV], and [REC FORMAT] is set to [2160-59.94p/HEVC LongGOP 200M], [2160-59.94p/HEVC LongGOP 100M], [2160-59.94p/420LongGOP 150M], [2160-50.00p/HEVC LongGOP 200M], [2160-50.00p/HEVC LongGOP 100M], [2160-50.00p/420LongGOP 150M], [2160-29.97p/HEVC LongGOP 150M], [2160-29.97p/422LongGOP 150M], [2160-29.97p/420LongGOP 100M], [2160-25.00p/HEVC LongGOP 150M], [2160-25.00p/422LongGOP 150M], [2160-23.98p/HEVC LongGOP 150M], [2160-23.98p/422LongGOP 150M], or [2160-23.98p/420LongGOP 100M]: Approximately 5 seconds • When set to anything other than above: Approximately 10 seconds
[OFF]	Does not perform the pre-recording.

(Factory setting: [OFF])

 **NOTE**

- For the combinations and restrictions of the settings, refer to “Recording function that cannot be used simultaneously” (page 210).

[REC FUNCTION]

[REC MODE]

Selects the recording mode.

[NORMAL]	Performs the standard recording.
[INTERVAL]	Performs the interval recording. (A function to repeatedly perform the operation of one frame recording in set interval.)

(Factory setting: [NORMAL])

 **NOTE**

- For the combinations and restrictions of the settings, refer to “Recording function that cannot be used simultaneously” (page 210).

[REC MODE HOLD]

Selects whether to hold [REC MODE] settings.

[ON]	Holds the settings.
[OFF]	Does not hold the settings. It will always be [NORMAL] the next time when the power is turned on.

(Factory setting: [OFF])

[INTERVAL TIME]

Sets the interval duration for interval recording.

The items that can be set are as follows.

- [1s], [2s], [5s], [10s], [30s], [1min], [5min], [10min]

(Factory setting: [5min])

[TC/UB]

[DF/NDF]

Sets the count method for the time code generator.

Enabled only when the recording frame frequency of the [SYSTEM] menu → [REC FORMAT] is set to 59.94i/59.94p/29.97p.

[DF]	Uses the drop frame mode.
[NDF]	Uses the non-drop frame mode.

(Factory setting: [DF])

NOTE

- The setting is fixed to [NDF] when the [RECORDING] menu → [REC FUNCTION] → [REC MODE] → [INTERVAL] is set.

[UB MODE]

Sets user bits. User bits are recorded in the clip. Also, it is output as LTC UB, VITC UB of the SDI signal.

[FRAME RATE]	Selects the image information (such as frame rate) of the camera.
[USER]	Selects the set user bits.
[TIME]	Selects the local time. (hh, mm, ss)
[DATE]	Selects the local date and time. (YY, MM, DD, hh)
[TC]	Records the time code value as user bits.
[CLIP NAME]	Records the value that CAM INDEX (one character) and CARD COUNT (three-digit number) are converted to ASCII character code. Only enabled when the [SYSTEM] menu → [FILE FORMAT] → [MOV] is set.

(Factory setting: [USER])

[TC IN/OUT SEL]

Sets the input/output of the <TC IN/OUT> terminal.

[TC IN]	Sets to the time code input.
[TC OUT]	Sets to the time code output.

(Factory setting: [TC IN])

[TC OUT REF]

Sets the output delay of the time code that is output from the <TC IN/OUT> terminal.

[RECORDING]	Outputs the recording time code without delay. This is used when performing simultaneous recording on two cameras with the time code of this camera as the master.
[SDI OUT1]	Matches to the output image from the <SDI OUT1> terminal. Outputs without delay when the image is not output from the <SDI OUT1> terminal.

(Factory setting: [RECORDING])

[REC COUNTER]

Sets operation of the counter for recording.

[TOTAL]	Performs continuous counting until it is reset by pressing the <RESET> button.
[CLIP]	Clears the counter value at the start of recording and counts the time for each recording.

(Factory setting: [TOTAL])

[NETWORK] menu

Specifies the network function settings.

[DEVICE SEL]

Select the device that connects external equipment (computer, etc.) to the camera.

The camera may restart when the setting is changed.

[LAN]	Connects via a wired LAN.
[WLAN]	Connects via a wireless LAN.
[OFF]	Does not connect.

(Factory setting: [OFF])

[NETWORK FUNC]

Selects the network function of the camera.

[STREAMING]	Enables the streaming function.
[NDI HX]	Enables the NDI HX function.
[OFF]	Disables the network function.

(Factory setting: [OFF])

NOTE

- When [NDI|HX] is selected, recording and thumbnail display are not possible.

[IP REMOTE]

Perform settings for the IP remote. (remote control by the CX ROP app)

[ENABLE/DISABLE]

Sets whether to enable the IP remote function.

The items that can be set are as follows.

- [ENABLE], [DISABLE]

(Factory setting: [DISABLE])

[USER ACCOUNT]

Registers a new user account to use for authentication in the network function of the camera. (Maximum of ten accounts)

The character limit of the user account name and password is as follows.

- User account name: Maximum of 31 characters
- Password: Between 8 to 15 characters

[ACCOUNT LIST]

Displays a list of registered user accounts.

Also, confirmation screen for whether to delete the registered user is displayed when a user is selected.

[STREAMING]

Performs the settings for the streaming function.

[STREAMING FORMAT]

Specifies the streaming format.

The items that can be set are as follows.

- When [FILE FORMAT] is set to [P2] or [MOV], and [REC FORMAT] is set to 1080/50p
 - [1920×1080-50fps 24M], [1920×1080-50fps 20M], [1920×1080-50fps 16M], [1280×720-50fps 14M], [1280×720-50fps 8M], [1280×720-50fps 3M], [640×360-25fps 4M], [640×360-25fps 1.5M], [640×360-25fps 0.7M], [320×180-25fps 4M], [320×180-25fps 1.5M], [320×180-25fps 0.5M]
 - (Factory setting: [640×360-25fps 0.7M])
- When [FILE FORMAT] is set to [P2] or [MOV], and [REC FORMAT] is set to 1080/59.94p
 - [1920×1080-60fps 24M], [1920×1080-60fps 20M], [1920×1080-60fps 16M], [1280×720-60fps 14M], [1280×720-60fps 8M], [1280×720-60fps 3M], [640×360-30fps 4M], [640×360-30fps 1.5M], [640×360-30fps 0.7M], [320×180-30fps 4M], [320×180-30fps 1.5M], [320×180-30fps 0.5M]
 - (Factory setting: [640×360-30fps 0.7M])
- When [FILE FORMAT] is set to [P2] or [MOV], and [REC FORMAT] is set to 1080/50i or 1080/25p
 - [1920×1080-25fps 14M], [1920×1080-25fps 6M], [1920×1080-25fps 1M], [1280×720-25fps 8M], [1280×720-25fps 2M], [1280×720-25fps 1M], [640×360-25fps 4M], [640×360-25fps 1.5M], [640×360-25fps 0.7M], [320×180-25fps 4M], [320×180-25fps 1.5M], [320×180-25fps 0.5M]
 - (Factory setting: [640×360-25fps 0.7M])
- When [FILE FORMAT] is set to [P2] or [MOV], and [REC FORMAT] is set to 1080/59.94i or 1080/29.97p
 - [1920×1080-30fps 14M], [1920×1080-30fps 6M], [1920×1080-30fps 1M], [1280×720-30fps 8M], [1280×720-30fps 2M], [1280×720-30fps 1M], [640×360-30fps 4M], [640×360-30fps 1.5M], [640×360-30fps 0.7M], [320×180-30fps 4M], [320×180-30fps 1.5M], [320×180-30fps 0.5M]
 - (Factory setting: [640×360-30fps 0.7M])
- When [FILE FORMAT] is set to [P2] or [MOV], and [REC FORMAT] is set to 1080/23.98p
 - [1920×1080-24fps 14M], [1920×1080-24fps 6M], [1920×1080-24fps 1M]
 - (Factory setting: [1920×1080-24fps 1M])
- When [FILE FORMAT] is set to [P2], and [REC FORMAT] is set to 720/50p
 - [1280×720-50fps 14M], [1280×720-50fps 8M], [1280×720-50fps 3M], [640×360-25fps 4M], [640×360-25fps 1.5M], [640×360-25fps 0.7M], [320×180-25fps 4M], [320×180-25fps 1.5M], [320×180-25fps 0.5M]
 - (Factory setting: [640×360-25fps 0.7M])
- When [FILE FORMAT] is set to [P2], and [REC FORMAT] is set to 720/59.94p
 - [1280×720-60fps 14M], [1280×720-60fps 8M], [1280×720-60fps 3M], [640×360-30fps 4M], [640×360-30fps 1.5M], [640×360-30fps 0.7M], [320×180-30fps 4M], [320×180-30fps 1.5M], [320×180-30fps 0.5M]
 - (Factory setting: [640×360-30fps 0.7M])

NOTE

- Cannot be set when [REC FORMAT] is set to UHD.

[START TRIGGER]

Sets whether to start streaming with operation of the camera or operation of the application software.

The items that can be set are as follows.

- [CAMERA], [RECEIVER], [RECEIVER(MULTICAST)]

(Factory setting: [RECEIVER])

[CONNECTION INFO.]

Selects reference location for the transfer destination when starting a streaming with the operation of the camera from the camera memory or the SD card.

The items that can be set are as follows.

- [MEMORY], [SD CARD]

(Factory setting: [MEMORY])

[DATA TYPE]

Displays the type of the setting data. (Cannot be changed)

[GENERAL]	General streaming settings
[P2CAST]	P2 Cast setting

[RECEIVER URL]

Enter the destination URL in following format.

- rtmp://(server URL):(port number)/(path)/(stream key)
- rtmps://(server URL):(port number)/(path)/(stream key)

[MULTICAST ADDRESS]

Sets the address when using the streaming with the multicast.

(Factory setting: [239.192.0.20])

[MULTICAST PORT]

Sets the port number when using the streaming with the multicast.

(Factory setting: [37004])

[LOAD (SD CARD)]

Loads the settings file from the memory card and reflects in the menu when [CONNECTION INFO.] is set to [MEMORY].

The items that can be selected are as follows.

- [YES], [NO]

[SAVE (SD CARD)]

Encrypts and saves the information of the destination URL to the memory card.

The items that can be selected are as follows.

- [YES], [NO]

[CLEAR (MEMORY)]

Clears the contents of the streaming setting set in the menu item.

The URL information set in P2 Cast is also cleared.

The items that can be selected are as follows.

- [YES], [NO]

[START]

Starts streaming.

The items that can be set are as follows.

- [ON], [OFF]

(Factory setting: [OFF])

[NDI|HX]

Performs settings related to NDI|HX.

[ACTIVATION]

Displays whether the NDI|HX function is enabled. (Cannot be changed)

[--]	Not active.
[NDI HX]	Active.

[STREAMING FORMAT]

Specifies the streaming format.

The items that can be set are as follows.

- When [FILE FORMAT] is set to [P2] or [MOV], and [REC FORMAT] is set to 1080/50p
 - [1920×1080-50fps 24M], [1920×1080-50fps 16M], [1920×1080-50fps 10M], [1920×1080-50fps 8M], [1280×720-50fps 14M], [1280×720-50fps 10M], [1280×720-50fps 6M]
 - (Factory setting: [1920×1080-50fps 10M])
- When [FILE FORMAT] is set to [P2] or [MOV], and [REC FORMAT] is set to 1080/59.94p
 - [1920×1080-60fps 24M], [1920×1080-60fps 16M], [1920×1080-60fps 10M], [1920×1080-60fps 8M], [1280×720-60fps 14M], [1280×720-60fps 10M], [1280×720-60fps 6M]
 - (Factory setting: [1920×1080-60fps 10M])
- When [FILE FORMAT] is set to [P2] or [MOV], and [REC FORMAT] is set to 1080/50i or 1080/25p
 - [1920×1080-25fps 14M], [1920×1080-25fps 10M], [1920×1080-25fps 6M], [1280×720-25fps 8M], [1280×720-25fps 4M], [1280×720-25fps 2M]
 - (Factory setting: [1920×1080-25fps 10M])
- When [FILE FORMAT] is set to [P2] or [MOV], and [REC FORMAT] is set to 1080/59.94i or 1080/29.97p
 - [1920×1080-30fps 14M], [1920×1080-30fps 10M], [1920×1080-30fps 6M], [1280×720-30fps 8M], [1280×720-30fps 4M], [1280×720-30fps 2M]
 - (Factory setting: [1920×1080-30fps 10M])
- When [FILE FORMAT] is set to [P2], and [REC FORMAT] is set to 720/50p
 - [1280×720-50fps 14M], [1280×720-50fps 10M], [1280×720-50fps 6M]
 - (Factory setting: [1280×720-50fps 10M])

- When [FILE FORMAT] is set to [P2], and [REC FORMAT] is set to 720/59.94p
 - [1280×720-60fps 14M], [1280×720-60fps 10M], [1280×720-60fps 6M]
 - (Factory setting: [1280×720-60fps 10M])

 **NOTE**

- Cannot be set when [REC FORMAT] is set to UHD or 1080/23.98p.

[MULTICAST]

Enables/disables the multicast function.

The items that can be set are as follows.

- [ENABLE], [DISABLE]
- (Factory setting: [DISABLE])

[MULTICAST ADDRESS]

Sets the address when using the streaming with the multicast.

(Factory setting: [239.192.0.20])

[MULTICAST PORT]

Sets the port number when using the streaming with the multicast.

(Factory setting: [37004])

[CLEAR ACTIVATION]

Clears the activation license information that is saved.

The items that can be selected are as follows.

- [YES], [NO]

[LAN PROPERTY]

Sets the wired LAN setting.

[MAC ADDRESS]

Displays the MAC address for the wired LAN of the camera. (Cannot be changed)

[IPv4 SETTING]

[DHCP]	<p>Sets whether to use the automatic acquisition through DHCP or to use the DHCP server function of the camera.</p> <p>[OFF]: Does not use DHCP.</p> <p>[CLIENT]: Acquires automatically with DHCP.</p> <p>The address from 192.168.0.10 through 192.168.0.255 is automatically assigned when the IP address cannot be acquired automatically within one minute.</p> <p>[SERVER]: Enables the DHCP server function of the camera.</p> <p>(Factory setting: [OFF])</p>
[IP ADDRESS]	<p>Sets the IP address.</p> <ul style="list-style-type: none"> • Cannot be set when [LAN PROPERTY] → [IPv4 SETTING] → [DHCP] → [CLIENT] is selected. <p>(Factory setting: [192.168.0.1])</p>
[SUBNET MASK]	<p>Sets the subnet mask.</p> <ul style="list-style-type: none"> • Cannot be set when [LAN PROPERTY] → [IPv4 SETTING] → [DHCP] → [CLIENT] is selected. <p>(Factory setting: [255.255.255.0])</p>
[DEFAULT GATEWAY]	<p>Sets the default gateway.</p> <ul style="list-style-type: none"> • Cannot be set when [LAN PROPERTY] → [IPv4 SETTING] → [DHCP] → [CLIENT] is selected. <p>(Factory setting: [192.168.0.254])</p>
[PRIMARY DNS]	<p>Sets the primary DNS server.</p> <p>(Factory setting: [0.0.0.0])</p>
[SECONDARY DNS]	<p>Sets the secondary DNS server.</p> <p>(Factory setting: [0.0.0.0])</p>

[IPv6 SETTING]

[ENABLE/DISABLE]	<p>Sets whether to use IPv6.</p> <p>[ENABLE]: Uses IPv6.</p> <p>[DISABLE]: Does not use IPv6.</p> <p>(Factory setting: [DISABLE])</p>
[DHCP]	<p>Sets whether to use automatic acquisition via DHCP.</p> <p>[OFF]: Does not use DHCP.</p> <p>[CLIENT]: Acquires automatically with DHCP.</p> <p>(Factory setting: [OFF])</p>
[IP ADDRESS]	<p>Sets the IP address.</p> <p>(Factory setting: [::])</p>
[PREFIX LENGTH]	<p>Sets the prefix length of the subnet.</p> <p>(Factory setting: [64])</p>
[DEFAULT GATEWAY]	<p>Sets the default gateway.</p> <p>(Factory setting: [::])</p>
[PRIMARY DNS]	<p>Sets the primary DNS server.</p> <p>(Factory setting: [::])</p>

[SECONDARY DNS]	Sets the secondary DNS server. (Factory setting: [::])
-----------------	---

[WLAN PROPERTY]

Performs settings related to the wireless LAN.

[MAC ADDRESS]

Displays the wireless LAN MAC address of the camera. (Cannot be changed)

[TYPE]

Sets the connection method to the wireless LAN.

[DIRECT]	It can connect directly without using a wireless access point to a device equipped with wireless LAN such as a tablet terminal.
[INFRA(SELECT)]	Connects to the wireless access point. The access point is selected from the list.
[INFRA(MANUAL)]	Connects to the wireless access point. Wireless access point is entered manually.

(Factory setting: [DIRECT])

[SSID]

Enters or displays the network name of the camera (SSID). (32 characters or less)

(Factory setting: [AJ-CX4000])

[BAND]

Switches between two communication methods ([2.4GHz] or [5GHz]) when the [NETWORK] menu → [WLAN PROPERTY] → [TYPE] → [DIRECT] is selected.

The items that can be set are as follows.

- [2.4GHz], [5GHz]

(Factory setting: [2.4GHz])

[CHANNEL(2.4GHz)]

Sets the channel to be used when connected to the wireless LAN with following items set.

- The [NETWORK] menu → [WLAN PROPERTY] → [TYPE] → [DIRECT]
- The [NETWORK] menu → [WLAN PROPERTY] → [BAND] → [2.4GHz]

The items that can be set are as follows.

- [AUTO], [CH1], [CH6], [CH11]

(Factory setting: [AUTO])

[CHANNEL(5GHz)]

Sets the channel to be used when connected to the wireless LAN with following items set.

- The [NETWORK] menu → [WLAN PROPERTY] → [TYPE] → [DIRECT]
- The [NETWORK] menu → [WLAN PROPERTY] → [BAND] → [5GHz]

The items that can be set are as follows.

- [AUTO], [CH36], [CH40], [CH44], [CH48], [CH100], [CH104], [CH108], [CH112], [CH116], [CH132], [CH136], [CH140], [CH149], [CH153], [CH157], [CH161], [CH165]

(Factory setting: [AUTO])

 **NOTE**

- Some items may not be able to select depending on the used wireless module.

[ENCRYPTION]

Sets the encryption method when the [NETWORK] menu → [WLAN PROPERTY] → [TYPE] → [INFRA(SELECT)]/[INFRA(MANUAL)] is selected.

The items that can be set are as follows.

- [WPA-TKIP], [WPA-AES], [WPA2-TKIP], [WPA2-AES], [NONE]

(Factory setting: [WPA2-AES])

 **NOTE**

- The setting is fixed to [WPA2-AES] when the [NETWORK] menu → [WLAN PROPERTY] → [TYPE] → [DIRECT] is set.

[ENCRYPT KEY]

Sets the encryption key. Set the key using a string of 8 to 63 characters or a hexadecimal number with 64 digits.

(Factory setting: [01234567890123456789abcdef])

[IPv4 SETTING]

[DHCP]	Sets whether to use the automatic acquisition through DHCP or to use the DHCP server function of the camera. [OFF]: Does not use DHCP. [CLIENT]: Automatically acquired with the DHCP when connected by setting [WLAN PROPERTY] → [TYPE] → [INFRA(SELECT)]/[INFRA(MANUAL)]. [SERVER]: Enables the DHCP server function of the camera when connecting by setting [WLAN PROPERTY] → [TYPE] → [DIRECT]. (Factory setting: [OFF])
--------	--

[IP ADDRESS]	Sets the IP address. <ul style="list-style-type: none"> Cannot be set when [WLAN PROPERTY] → [IPv4 SETTING] → [DHCP] → [CLIENT] is selected. (Factory setting: [192.168.0.1])
[SUBNET MASK]	Sets the subnet mask. <ul style="list-style-type: none"> Cannot be set when [WLAN PROPERTY] → [IPv4 SETTING] → [DHCP] → [CLIENT] is selected. (Factory setting: [255.255.255.0])
[DEFAULT GATEWAY]	Sets the default gateway. <ul style="list-style-type: none"> If you do not use default gateway, set to [0.0.0.0]. Cannot be set when [WLAN PROPERTY] → [IPv4 SETTING] → [DHCP] → [CLIENT] is selected. Disables the setting for the default gateway when [WLAN PROPERTY] → [TYPE] → [DIRECT] is selected. (Factory setting: [192.168.0.254])
[PRIMARY DNS]	Sets the primary DNS server. <ul style="list-style-type: none"> Disables the setting for the primary DNS server when [WLAN PROPERTY] → [TYPE] → [DIRECT] is selected. (Factory setting: [0.0.0.0])
[SECONDARY DNS]	Sets the secondary DNS server. <ul style="list-style-type: none"> Disables the setting for the secondary DNS server when [WLAN PROPERTY] → [TYPE] → [DIRECT] is selected. (Factory setting: [0.0.0.0])

[INFORMATION]

[STATUS]

Displays the status of the network function.

[UTILITY]

Performs the various operations related to the network function.

[NETWORK INITIALIZE]

Restores the network setting status to the factory settings.

[EASY IP SETTING]

Sets the time to accept EASY IP Setup Software.

The items that can be set are as follows.

- [DISABLE], [20 MIN.], [UNLIMITED]

(Factory setting: [DISABLE])



NOTE

- This is fixed to [UNLIMITED] when [NDI|HX] is selected in [NETWORK FUNC].

[EASY IP CAMERA TITLE]

Configure the individual device names to display in EASY IP Setup Software. (15 characters or less)

The camera title set here is also displayed as the individual device name in the NDI|HX compatible switcher.

(Factory setting: [AJ-CX4000])

[SYSTEM] menu

Configure the settings regarding the recording format of video and audio.

[FREQUENCY]

Sets the system frequency.

The items that can be set are as follows.

- [59.94Hz], [50.00Hz]

(Factory setting: [59.94Hz] (when [AREA SETTINGS] is set to [AREA 1] or [AREA 2]), [50.00Hz] (when [AREA SETTINGS] is set to [AREA 3] or [AREA 4]))



NOTE

- The camera will restart when the setting is changed.

[FILE FORMAT]

Sets the file format for recording.

[P2]	Sets to record in the MXF file format of P2 format.
[MOV]	Sets to record in the MOV file format of MOV format.

(Factory setting: [MOV])

[REC FORMAT]

Sets the signal format and codec mode for recording.

- When [FREQUENCY] is set to [50.00Hz], and [FILE FORMAT] is set to [P2]

The items that can be set are as follows.

- [1080-50.00p/AVC-I100], [1080-50.00p/AVC-I422], [1080-50.00p/AVC-G25], [1080-50.00p/AVC-G12], [1080-50.00i/AVC-I200], [1080-50.00i/AVC-I100], [1080-50.00i/AVC-I50], [1080-50.00i/AVC-G50], [1080-50.00i/AVC-G25], [1080-50.00i/AVC-G12], [720-50.00p/AVC-I200], [720-50.00p/AVC-I100], [720-50.00p/AVC-I50], [720-50.00p/AVC-G50], [720-50.00p/AVC-G25], [720-50.00p/AVC-G12]
- When [FREQUENCY] is set to [50.00Hz], and [FILE FORMAT] is set to [MOV]

The items that can be set are as follows.

 - [2160-50.00p/420LongGOP 150M], [2160-50.00p/HEVC LongGOP 200M], [2160-50.00p/HEVC LongGOP 100M], [2160-25.00p/420LongGOP 100M], [2160-25.00p/HEVC LongGOP 150M], [2160-25.00p/422LongGOP 150M], [2160-25.00p/422ALL-I 400M], [1080-50.00p/422LongGOP 100M], [1080-50.00p/422ALL-I 200M], [1080-50.00i/422LongGOP 50M], [1080-50.00i/422ALL-I 100M], [1080-25.00p/422LongGOP 50M], [1080-25.00p/422ALL-I 100M]
- When [FREQUENCY] is set to [59.94Hz], and [FILE FORMAT] is set to [P2]

The items that can be set are as follows.

 - [1080-59.94p/AVC-I100], [1080-59.94p/AVC-I422], [1080-59.94p/AVC-G25], [1080-59.94p/AVC-G12], [1080-59.94i/AVC-I200], [1080-59.94i/AVC-I100], [1080-59.94i/AVC-I50], [1080-59.94i/AVC-G50], [1080-59.94i/AVC-G25], [1080-59.94i/AVC-G12], [720-59.94p/AVC-I200], [720-59.94p/AVC-I100], [720-59.94p/AVC-I50], [720-59.94p/AVC-G50], [720-59.94p/AVC-G25], [720-59.94p/AVC-G12]
- When [FREQUENCY] is set to [59.94Hz], and [FILE FORMAT] is set to [MOV]

The items that can be set are as follows.

 - [2160-59.94p/420LongGOP 150M], [2160-59.94p/HEVC LongGOP 200M], [2160-59.94p/HEVC LongGOP 100M], [2160-29.97p/420LongGOP 100M], [2160-29.97p/HEVC LongGOP 150M], [2160-29.97p/422LongGOP 150M], [2160-29.97p/422ALL-I 400M], [2160-23.98p/420LongGOP 100M], [2160-23.98p/HEVC LongGOP 150M], [2160-23.98p/422LongGOP 150M], [2160-23.98p/422ALL-I 400M], [1080-59.94p/422LongGOP 100M], [1080-59.94p/422ALL-I 200M], [1080-59.94i/422LongGOP 50M], [1080-59.94i/422ALL-I 100M], [1080-29.97p/422LongGOP 50M], [1080-29.97p/422ALL-I 100M], [1080-23.98p/422LongGOP 50M], [1080-23.98p/422ALL-I 100M]

[AUDIO SAMPLE RES.]

Sets the number of bits of the audio to record when recording format is AVC-Intra 100/AVC-Intra 50.

In other recording formats, audio is recorded with number of bits fixed to 16 bits or 24 bits. The items that can be set are as follows.

- [16BIT], [24BIT]

(Factory setting: [16BIT])

[SHOOTING MODE]

Sets the shooting mode according to the shooting environment.

[NORMAL]	Selects the shooting mode for an environment at normal brightness.
[HIGH SENS.]	Selects high-sensitivity. Appropriate when shooting in a dark environment. [H.SENS.] is displayed in the camera image screen.

(Factory setting: [NORMAL])

[OTHERS] menu

Configures the settings for writing/loading/initializing user files to the camera memory and other settings.

[FILE]

Saves and loads the setting data.

For the saving and loading target, refer to "Target items for scene file/setup file/initialization" (page 111).

For details about saving and loading, refer to "Scene file" (page 162).

[SCENE FILE(SD CARD)]

Loads or saves scene files on a memory card.

[LOAD]	Selects and loads the scene file saved on the memory card into the camera. Can select if all of the scene files ([F1:] to [F6:]) are loaded, or individually loaded.
[SAVE]	The setting values of the current scene file ([F1:] to [F6:]) are overwritten to the file selected from the list of scene files saved in the memory card.
[SAVE AS]	The setting values of the current scene file ([F1:] to [F6:]) is saved to the memory card as a new scene file by entering the file name.

[SETUP FILE(SD CARD)]

Loads or saves setup files on a memory card.

[LOAD]	Selects the setup file saved on the memory card to load on the camera.
[SAVE]	Overwrites the file selected in the list of the setup files saved on the memory card with the current setting values of the camera.
[SAVE AS]	Enter a file name to save the current setting values in the camera as a new setup file in the memory card.

[SETUP FILE(MEMORY)]

Loads or saves the setup files into the camera memory.

[LOAD]	Loads setup data saved on the memory.
[SAVE]	Saves the setup data to the memory.

[CAC FILE(SD CARD)]

[LOAD]	Selects the chromatic aberration compensation data file saved in the memory card and loads it into the camera. Specifies the file number to save the chromatic aberration compensation data loaded from the memory card with [LOAD] into the camera.
[DELETE]	Selects and deletes the chromatic aberration compensation data file saved in the memory card.

[LENS FILE(SD CARD)]

[LOAD]	Selects a lens file saved in the memory card, and loads it as one set of lens files (8-file set) into the camera memory.
[SAVE]	Overwrites a file selected from the list of lens files saved in the memory card with the one set of lens files (8-file set) in the camera memory.
[SAVE AS]	One set of lens files (8-file set) in the camera memory is saved in the memory card as a new lens file by entering a file name.

[LENS FILE(MEMORY)]

[LOAD]	Selects the lens file saved in the camera memory, loads it, and uses it as current setting value for the operation.
[SAVE]	Current setting value is saved in the camera memory as a lens file by specifying the title and the file number.
[CLEAR ALL FILE]	Clears and initializes saved values for all the lens files.

[SLOT FOR LOAD/SAVE]

Sets the card slot to load and save the scene file, setup file, CAC file, lens file, and streaming setting file.

The items that can be set are as follows.

- [SLOT2], [SLOT3]

(Factory setting: [SLOT2])

[BATTERY]

[DC IN SOURCE]

Sets the type of external power supply to input to the <DC IN> terminal.

The items that can be set are as follows.

[DC POWER SUPPLY]	Select when connecting the AC adaptor.
[BATTERY]	Select when connecting the battery. Voltage to display full/near end/end remaining capacity can be set in the [OTHERS] menu → [BATTERY] → [DC IN BATTERY].

(Factory setting: [DC POWER SUPPLY])

[DC IN BATTERY]

[FULL VOLT]	Sets the voltage to display full remaining capacity when inputting an external battery from the <DC IN> terminal. The items that can be set are as follows. • [13.0V] ... [17.0V] (0.1 V steps) (Factory setting: [15.5V])
[NEAR END VOLT]	Sets the voltage to display near end remaining capacity when inputting an external battery from the <DC IN> terminal. The items that can be set are as follows. • [11.1V] ... [15.0V] (0.1 V steps) (Factory setting: [13.2V])
[END VOLT]	Sets the voltage to display end remaining capacity when inputting an external battery from the <DC IN> terminal. The items that can be set are as follows. • [11.0V] ... [14.9V] (0.1 V steps) (Factory setting: [12.5V])

[ONBOARD BATTERY]

[BATTERY SEL]	Select according to the used battery. When set to [DIONIC], [HYTRON/TITON], [ENDURA], or [PAG], remaining capacity is detected and the warning is displayed according to the [NEAR END INFO] or the [END INFO] setting. The remaining capacity is detected by the voltage level when set to [other]. When there is no remaining capacity information, the remaining capacity is detected by the voltage level. The items that can be set are as follows. • [DIONIC], [HYTRON/TITON], [ENDURA], [PAG], [other] (Factory setting: [DIONIC])
[FULL VOLT]	Sets the voltage to display full remaining capacity when the battery remaining capacity is detected by the voltage level. The items that can be set are as follows. • [13.0V] ... [17.0V] (0.1 V steps) (Factory setting: [15.5V])
[NEAR END VOLT]	Sets the voltage to display near end remaining capacity when the battery remaining capacity is detected by the voltage level. The items that can be set are as follows. • [11.1V] ... [15.0V] (0.1 V steps) (Factory setting: [13.2V])

[END VOLT]	Sets the voltage to display end remaining capacity when the battery remaining capacity is detected by the voltage level. The items that can be set are as follows. • [11.0V] ... [14.9V] (0.1 V steps) (Factory setting: [12.5V])
[NEAR END INFO]	Sets the percent value of the near end remaining capacity when the remaining capacity information is acquired from the battery. The items that can be set are as follows. • [4%], [5%], [6%], [7%], [8%], [9%], [10%], [12%], [14%], [16%], [18%], [20%] (Factory setting: [5%])
[END INFO]	Sets the percent value of the end remaining capacity when the remaining capacity information is acquired from the battery. The items that can be set are as follows. • [1%] ... [10%] (1% steps) (Factory setting: [1%])

[GENLOCK]

[GENLOCK]

Switches the synchronization signal of the camera.

[INT]	Synchronizes to the internal standard signal regardless of the standard signal input to the <GENLOCK IN> terminal.
[GL IN]	Synchronizes to the standard signal input to the <GENLOCK IN> terminal.

(Factory setting: [INT])

[H PHASE COARSE]

Performs coarse adjustment to match horizontal synchronization phase when building a system.

The items that can be set are as follows.

- [-100]...[100]

(Factory setting: [0])

[H PHASE FINE]

Performs fine adjustment to match horizontal synchronization phase when building a system.

The items that can be set are as follows.

- [-100]...[100]

(Factory setting: [0])

[COLOR BARS]

[COLOR BARS TYPE]

Sets the color bar to be used.

[SMPTE]	Uses the color bars in SMPTE standard.
[FULL]	Uses the full color bars.

(Factory setting: [SMPTE])

NOTE

- A smear may occur depending on the output resolution.

[TEST TONE]

Sets whether the audio test signal (tone signal with specification level 1 kHz) is output when the video is switched to the color bar.

The standard level varies depending on the setting of the [AUDIO] menu → [REC CH SETTINGS] → [HEAD ROOM].

The items that can be set are as follows.

- [ON], [OFF]

(Factory setting: [ON])

[LED]

[REC TALLY]

Selects the method to display recording status at the camera.

[RED]	The red tally lamp illuminates.
[GREEN]	The green tally lamp illuminates. (Only in viewfinder)
[CHAR]	REC is displayed in characters in the viewfinder and the LCD monitor.

(Factory setting: [RED])

NOTE

- If set to [GREEN] or [CHAR], the front tally lamp, back tally lamp and rear tally lamp of the viewfinder do not illuminate while this camera is recording.

[ACCESS LED]

Sets whether the card access lamp is to illuminate or not.

The items that can be set are as follows.

- [ON], [OFF]

(Factory setting: [ON])

[LAN LED]

Sets whether to illuminate the LAN connector lamp.

The items that can be set are as follows.

- [ON], [OFF]

(Factory setting: [ON])

[STREAMING LED]

Sets whether to illuminate the <STREAMING> lamp.

The items that can be set are as follows.

- [ON], [OFF]

(Factory setting: [ON])

[CLOCK]

[CLOCK SETTING]

Sets the calendar (date of the internal clock) and time.

Year	[2019]...[2037]
Month	[JAN]...[DEC] ([1]...[12])
Day	[1]...[31] ([28], [29], [30])
Hour	[0]...[23]
Minute	[0]...[59]

[TIME ZONE]

Sets the time zone. It will switch to the time with the time difference added when the time zone setting is changed.

The items that can be set are as follows.

- [-12:00]...[+12:30] (30 minutes steps), [+12:45], [+13:00]

(Factory setting: [+0:00])

[DATE FORMAT]

Sets the display order of the year, month, and date of the calendar (date of the internal clock). This is reflected to the date display of the clip information.

The items that can be set are as follows.

- [Y-M-D], [M-D-Y], [D-M-Y]

(Factory setting: [Y-M-D] (when [AREA SETTINGS] is set to [AREA 1]), [M-D-Y] (when [AREA SETTINGS] is set to [AREA 2]), [D-M-Y] (when [AREA SETTINGS] is set to [AREA 3] or [AREA 4]))

[GPS]

Sets whether to enable the built-in GPS function.

Acquired position information is recorded in the shooting location of the metadata. The position information is not recorded in the metadata if the position information cannot be acquired.

The items that can be set are as follows.

- [ON], [OFF]

(Factory setting: [ON])

[USB DEVICE]

[CARD READER MODE]

Switches the camera to the card reader mode. A computer or other device can be connected via USB to use as a card reader of the memory card.

The LCD monitor turns off after approximately five to ten seconds when using the battery. Illuminates when the LCD monitor is touched.

It will return to the card reader mode screen when the cursor operation button is pressed or the jog dial button is turned.

Also, the card reader mode is ended and the camera image screen is displayed when the jog dial button or the <SET> button is pressed.

The items that can be selected are as follows.

- [YES], [NO]

[SERVICE MODE]

Switches the camera to the service mode.

You can also check software information (licenses) on a computer and other equipment. Confirm "LICENSE.TXT" for the external drive recognized by a computer.

The LCD monitor turns off after approximately five to ten seconds when using the battery. Illuminates when the LCD monitor is touched.

It will return to the service mode screen when the cursor operation button is pressed or the jog dial button is turned.

Also, the service mode is ended and the camera image screen is displayed when the jog dial button or the <SET> button is pressed.

The items that can be selected are as follows.

- [YES], [NO]

[INFORMATION]**[VERSION]**

Displays the information of the camera.

[MODEL]	Displays the product name of the camera.
[SERIAL NO.]	Displays the serial number of the camera.
[NETWORK ID(MAC ADDRESS)]	Displays the MAC address for the <LAN> terminal of the camera.
[VERSION]	Displays the firmware version of the camera.

[OPERATION TIME]

[TOTAL OPERATION]	Displays the total operation time of the camera.
-------------------	--

[UPDATE]

Updates the firmware.

Insert the memory card where the update file is saved into card slot 2.

The items that can be selected are as follows.

- [YES], [NO]

[LANGUAGE]

Sets the display language.

- When [AREA SETTINGS] is set to [AREA 1]

[日本語]	Japanese
[English]	English

(Factory setting: [English])

- When [AREA SETTINGS] is set to [AREA 2]

[English]	English
[Français]	French
[Español]	Spanish

(Factory setting: [English])

- When [AREA SETTINGS] is set to [AREA 3]

[English]	English
[Français]	French
[Deutsch]	German
[Español]	Spanish
[Italiano]	Italian

(Factory setting: [English])

- When [AREA SETTINGS] is set to [AREA 4]

[English]	English
[Français]	French
[Español]	Spanish

(Factory setting: [English])

[MENU INITIALIZE]

Most of the setting values of the menu is returned to the factory setting status. The camera is restarted after executing.

[OPTION] menu

A special menu is prepared considering additional functions in the future.

This is displayed by pressing the <MENU> button while holding down the <SHIFT> button.

[AREA SETTINGS]

Select the region in to be used before using the camera.

[AREA 1]	Selects Japan, Taiwan, and South Korea.
[AREA 2]	Selects United States of America, Canada, and Central and South America regions.
[AREA 3]	Selects Europe.
[AREA 4]	Selects Asia region (excluding Japan, Taiwan, and South Korea), Oceania region, and India.

Factory setting value of the scene file

[SCENE FILE] menu

Factory setting of each item in the scene file selected in the [SCENE FILE] menu → [FILE SELECT] are same values in [F1:] to [F6:].

- Meaning of the symbols used in the table are as follows.

- —: Not a target.

[SCENE FILE] menu item	Factory setting
[FILE SELECT]	[F1:]
[SYNC SCAN TYPE]	[sec]
[SYNC SCAN]	[1/60.0]* ¹ , [1/50.0]* ² , [180.0d]* ³
[MASTER DTL]	[0]
[DTL CORING]	[15]
[DETAIL SETTING]	
[DETAIL]	[ON]
[H.DTL LEVEL]	[0]
[V.DTL LEVEL]	[0]
[DTL FREQ.]	[0]
[LEVEL DEPEND.]	[0]
[KNEE APE LEVEL]	[2]
[DTL GAIN(+)]	[0]
[DTL GAIN(-)]	[0]
[SKIN TONE DTL A]	[OFF]
[SKIN TONE DTL B]	[OFF]
[SKIN TONE DTL C]	[OFF]
[SKIN TONE ZEBRA]	[ON]
[SKIN TONE DTL SETTING]	
[DETECT TABLE]	[A]
[SKIN DTL EFFECT]	[16]
[I CENTER]	[35]
[I WIDTH]	[2]
[Q WIDTH]	[2]
[Q PHASE]	[0]
[RB GAIN CONTROL SETTING]	
[R GAIN AWB PRE]	[0]
[B GAIN AWB PRE]	[0]
[R GAIN AWB A]	[0]
[B GAIN AWB A]	[0]
[R GAIN AWB B]	[0]
[B GAIN AWB B]	[0]
[AWB A GAIN OFFSET]	[OFF]
[AWB B GAIN OFFSET]	[OFF]
[COLOR TEMP Ach SETTING]	
[COLOR TEMP]	[3200K]
[R GAIN]	[0]
[B GAIN]	[0]
[G AXIS]	[0]
[COLOR TEMP Bch SETTING]	
[COLOR TEMP]	[3200K]
[R GAIN]	[0]
[B GAIN]	[0]
[G AXIS]	[0]
[CHROMA LEVEL]	[0%]
[CHROMA PHASE]	[0]
[MATRIX]	
[L MATRIX TABLE]	[A]
[M MATRIX TABLE]	[A]
[H MATRIX TABLE]	[A]
[MATRIX TABLE]	[A]
[ADAPTIVE MATRIX]	[OFF]
[R-G]	[0]
[R-B]	[0]
[G-R]	[0]
[G-B]	[0]

Chapter 4 Operation — Factory setting value of the scene file

[SCENE FILE] menu item	Factory setting
[B-R]	[0]
[B-G]	[0]
[COLOR CORRECTION]	
[L COLOR CORRECT]	[ON]
[M COLOR CORRECT]	[ON]
[H COLOR CORRECT]	[ON]
16-axis independent color correction item [PARAMETER]	[0]
[MASTER PED]	[16]
[RGB BLACK CONTROL SETTING]	
[R PED]	[0]
[G PED]	[0]
[B PED]	[0]
[PEDESTAL OFFSET]	[OFF]
[R FLARE]	[0]
[G FLARE]	[0]
[B FLARE]	[0]
[GAMMA MODE SEL]	[HD]
[GAMMA SETTING]	
[MASTER GAMMA]	[0.45]
[F-REC DYNAMIC LEVEL]	[600%]
[F-REC BLACK STR LEVEL]	[0%]
[V-REC KNEE SLOPE]	[500%]
[V-REC KNEE POINT]	[30%]
[BLACK GAMMA]	[0]
[B.GAMMA RANGE]	[1]
[KNEE SETTING]	
[MANUAL KNEE]	[ON]
[KNEE MASTER POINT]	[93.0%]
[KNEE MASTER SLOPE]	[99]
[A.KNEE POINT]	[90%]
[A.KNEE LEVEL]	[107]
[A.KNEE RESPONSE]	[4]
[HLG KNEE SW]	[OFF]
[HLG KNEE POINT]	[55]
[HLG KNEE SLOPE]	[10]
[HI-COLOR SW]	[ON]
[WHITE CLIP SETTING]	
[WHITE CLIP]	[ON]
[WHITE CLIP LEVEL]	[109%]
[LOW SETTING]	
[MASTER GAIN]	[0dB]
[H.DTL LEVEL]	[0]
[V.DTL LEVEL]	[0]
[DTL CORING]	[15]
[DTL FREQ.]	[0]
[LEVEL DEPEND.]	[0]
[MASTER GAMMA]	[0.45]
[BLACK GAMMA]	[0]
[B.GAMMA RANGE]	[1]
[MATRIX TABLE]	[A]
[COLOR CORRECT]	[ON]
[MID SETTING]	
[MASTER GAIN]	[6dB]
[H.DTL LEVEL]	[0]
[V.DTL LEVEL]	[0]
[DTL CORING]	[15]
[DTL FREQ.]	[0]
[LEVEL DEPEND.]	[0]
[MASTER GAMMA]	[0.45]
[BLACK GAMMA]	[0]
[B.GAMMA RANGE]	[1]
[MATRIX TABLE]	[A]

Chapter 4 Operation — Factory setting value of the scene file

[SCENE FILE] menu item	Factory setting
[COLOR CORRECT]	[ON]
[HIGH SETTING]	
[MASTER GAIN]	[12dB]
[H.DTL LEVEL]	[0]
[V.DTL LEVEL]	[0]
[DTL CORING]	[15]
[DTL FREQ.]	[0]
[LEVEL DEPEND.]	[0]
[MASTER GAMMA]	[0.55]
[BLACK GAMMA]	[0]
[B.GAMMA RANGE]	[1]
[MATRIX TABLE]	[A]
[COLOR CORRECT]	[ON]
[DRS]	[OFF]
[DRS EFFECT DEPTH]	[1]
[DNR]	[1]
[CAMERA SETTINGS]	
[DETAIL]	[ON]
[GAMMA]	[ON]
[TEST SAW]	[OFF]
[FLARE]	[ON]
[H-F COMPE.]	[ON]

*1 When the [SCENE FILE] menu → [SYNC SCAN TYPE] → [sec] is set, and the [SYSTEM] menu → [FREQUENCY] → [59.94Hz] is set

*2 When the [SCENE FILE] menu → [SYNC SCAN TYPE] → [sec] is set, and the [SYSTEM] menu → [FREQUENCY] → [50.00Hz] is set

*3 When the [SCENE FILE] menu → [SYNC SCAN TYPE] → [deg] is set

Target items for scene file/setup file/initialization

- SCENE: Items saved in scene files.
- SETUP: Items saved in setup files.
- INITIALIZE: Items that are initialized with the [OTHERS] menu → [MENU INITIALIZE].
- Meaning of the symbols used in the table are as follows.
 - ✓: Is a target.
 - —: Not a target.

[THUMBNAIL] menu

	Item	SCENE	SETUP	INITIALIZE
[PLAYBACK]	[CLIP SEL]	—	—	✓
	[RESUME PLAY]	—	✓	✓
[CLIP]	[PROTECT]	—	—	—
	[DELETE]	—	—	—
	[COPY]	—	—	—
	[REPAIR]	—	—	—
	[RE-CONNECT]	—	—	—
	[INFORMATION]	—	—	—
[DISPLAY]	[DATA]	—	✓	✓

[CAMERA] menu

	Item	SCENE	SETUP	INITIALIZE
[SHUTTER SPEED]	[SYNCHRO SCAN]	—	✓	✓
	[POSITION1]	—	✓	✓
	[POSITION2]	—	✓	✓
	[POSITION3]	—	✓	✓
	[POSITION4]	—	✓	✓
	[POSITION5]	—	✓	✓
	[POSITION6]	—	✓	✓
[SW MODE]	[RET SW]	—	✓	✓
	[S.BLK LEVEL]	—	✓	✓
	[AUTO KNEE SW]	—	✓	✓
	[SHD,ABB SW CTL]	—	✓	✓
	[S.GAIN OFF]	—	✓	✓
	[DS.GAIN OFF]	—	✓	✓
	[D.ZOOM]	—	✓	✓
[USER SW]	[USER1]	—	✓	✓
	[USER2]	—	✓	✓
	[USER3]	—	✓	✓
	[USER4]	—	✓	✓
	[USER5]	—	✓	✓
[WHITE BALANCE MODE]	[FILTER INH]	—	✓	✓
	[SHOCKLESS AWB]	—	✓	✓
	[AWB AREA]	—	✓	✓
	[ATW]	—	✓	✓
	[ATW SPEED]	—	✓	✓
	[ATW TARGET R]	—	✓	✓
	[ATW TARGET B]	—	✓	✓
	[W.BAL PRESET]	—	✓	✓
	[W.BAL VAR]	—	✓	✓
[USER SW GAIN]	[S.GAIN]	—	✓	✓
	[DS.GAIN]	—	✓	✓
[LENS/IRIS]	[A.IRIS LEVEL]	—	✓	✓
	[A.IRIS PEAK/AVE]	—	✓	✓
	[A.IRIS WINDOW]	—	✓	✓
	[S.IRIS LEVEL]	—	✓	✓
	[IRIS GAIN]	—	✓	✓
	[IRIS GAIN VALUE]	—	✓	✓
[LENS ADJ.]	[F2.8 ADJ.]	—	—	✓

Chapter 4 Operation — Target items for scene file/setup file/initialization

	Item	SCENE	SETUP	INITIALIZE
	[F16 ADJ.]	—	—	✓
[LENS FILE ADJ.]	[LENS FILE ADJ. MODE]	—	—	✓
	[LENS R GAIN OFFSET]	—	—	✓
	[LENS B GAIN OFFSET]	—	—	✓
	[LENS R FLARE]	—	—	✓
	[LENS G FLARE]	—	—	✓
	[LENS B FLARE]	—	—	✓
[AGC]	[AGC]	—	✓	✓
	[AGC LIMIT]	—	✓	✓
	[AGC POINT]	—	✓	✓
[BLACK SHADING]	[CORRECT]	—	✓	✓
	[DETECTION]	—	—	—
[WHITE SHADING]	[CORRECT]	—	✓	✓
	[R H SAW]	—	—	✓
	[R H PARA]	—	—	✓
	[R V SAW]	—	—	✓
	[R V PARA]	—	—	✓
	[G H SAW]	—	—	✓
	[G H PARA]	—	—	✓
	[G V SAW]	—	—	✓
	[G V PARA]	—	—	✓
	[B H SAW]	—	—	✓
	[B H PARA]	—	—	✓
	[B V SAW]	—	—	✓
	[B V PARA]	—	—	✓
[CAC ADJ.]	[CAC CONTROL]	—	✓	✓
	[LIST/DELETE]	—	—	—

[SCENE FILE] menu

	Item	SCENE	SETUP	INITIALIZE
	[FILE SELECT]	—	—	✓
	[NAME EDIT]	✓	—	✓
	[LOAD/SAVE/INITIALIZE]	—	—	—
	[SYNC SCAN TYPE]	✓	—	✓
	[SYNC SCAN]	✓	—	✓
	[MASTER DTL]	✓	—	✓
	[DTL CORING]	✓	—	✓
[DETAIL SETTING]	[DETAIL]	✓	—	✓
	[H.DTL LEVEL]	✓	—	✓
	[V.DTL LEVEL]	✓	—	✓
	[DTL FREQ.]	✓	—	✓
	[LEVEL DEPEND.]	✓	—	✓
	[KNEE APE LEVEL]	✓	—	✓
	[DTL GAIN(+)]	✓	—	✓
	[DTL GAIN(-)]	✓	—	✓
[SKIN TONE DTL A]		✓	—	✓
[SKIN TONE DTL B]		✓	—	✓
[SKIN TONE DTL C]		✓	—	✓
[SKIN TONE ZEBRA]		✓	—	✓
[SKIN TONE DTL SETTING]	[DETECT TABLE]	✓	—	✓
	[SKIN DTL EFFECT]	✓	—	✓
	[I CENTER]	✓	—	✓
	[I WIDTH]	✓	—	✓
	[Q WIDTH]	✓	—	✓
	[Q PHASE]	✓	—	✓
[RB GAIN CONTROL SETTING]	[R GAIN AWB PRE]	✓	—	✓
	[B GAIN AWB PRE]	✓	—	✓
	[R GAIN AWB A]	✓	—	✓

Chapter 4 Operation — Target items for scene file/setup file/initialization

	Item	SCENE	SETUP	INITIALIZE
	[B GAIN AWB A]	✓	—	✓
	[R GAIN AWB B]	✓	—	✓
	[B GAIN AWB B]	✓	—	✓
	[AWB A GAIN OFFSET]	✓	—	✓
	[AWB B GAIN OFFSET]	✓	—	✓
[COLOR TEMP Ach SETTING]	[COLOR TEMP]	✓	—	✓
	[R GAIN]	✓	—	✓
	[B GAIN]	✓	—	✓
	[G AXIS]	✓	—	✓
[COLOR TEMP Bch SETTING]	[COLOR TEMP]	✓	—	✓
	[R GAIN]	✓	—	✓
	[B GAIN]	✓	—	✓
	[G AXIS]	✓	—	✓
[CHROMA LEVEL]		✓	—	✓
[CHROMA PHASE]		✓	—	✓
[MATRIX]	[L MATRIX TABLE]	✓	—	✓
	[M MATRIX TABLE]	✓	—	✓
	[H MATRIX TABLE]	✓	—	✓
	[MATRIX TABLE]	✓	—	✓
	[ADAPTIVE MATRIX]	✓	—	✓
	[R-G]	✓	—	✓
	[R-B]	✓	—	✓
	[G-R]	✓	—	✓
	[G-B]	✓	—	✓
	[B-R]	✓	—	✓
	[B-G]	✓	—	✓
[COLOR CORRECTION]	[L COLOR CORRECT]	✓	—	✓
	[M COLOR CORRECT]	✓	—	✓
	[H COLOR CORRECT]	✓	—	✓
	16-axis independent color correction item [PARAMETER]	✓	—	✓
[MASTER PED]		✓	—	✓
[RGB BLACK CONTROL SETTING]	[R PED]	✓	—	✓
	[G PED]	✓	—	✓
	[B PED]	✓	—	✓
	[PEDESTAL OFFSET]	✓	—	✓
	[R FLARE]	✓	—	✓
	[G FLARE]	✓	—	✓
	[B FLARE]	✓	—	✓
[GAMMA MODE SEL]		✓	—	✓
[GAMMA SETTING]	[MASTER GAMMA]	✓	—	✓
	[F-REC DYNAMIC LEVEL]	✓	—	✓
	[F-REC BLACK STR LEVEL]	✓	—	✓
	[V-REC KNEE SLOPE]	✓	—	✓
	[V-REC KNEE POINT]	✓	—	✓
	[BLACK GAMMA]	✓	—	✓
	[B.GAMMA RANGE]	✓	—	✓
[KNEE SETTING]	[MANUAL KNEE]	✓	—	✓
	[KNEE MASTER POINT]	✓	—	✓
	[KNEE MASTER SLOPE]	✓	—	✓
	[A.KNEE POINT]	✓	—	✓
	[A.KNEE LEVEL]	✓	—	✓
	[A.KNEE RESPONSE]	✓	—	✓
	[HLG KNEE SW]	✓	—	✓
	[HLG KNEE POINT]	✓	—	✓
	[HLG KNEE SLOPE]	✓	—	✓
	[HI-COLOR SW]	✓	—	✓
[WHITE CLIP SETTING]	[WHITE CLIP]	✓	—	✓

Chapter 4 Operation — Target items for scene file/setup file/initialization

	Item	SCENE	SETUP	INITIALIZE
	[WHITE CLIP LEVEL]	✓	—	✓
[LOW SETTING]	[MASTER GAIN]	✓	—	✓
	[H.DTL LEVEL]	✓	—	✓
	[V.DTL LEVEL]	✓	—	✓
	[DTL CORING]	✓	—	✓
	[DTL FREQ.]	✓	—	✓
	[LEVEL DEPEND.]	✓	—	✓
	[MASTER GAMMA]	✓	—	✓
	[BLACK GAMMA]	✓	—	✓
	[B.GAMMA RANGE]	✓	—	✓
	[MATRIX TABLE]	✓	—	✓
	[COLOR CORRECT]	✓	—	✓
[MID SETTING]	[MASTER GAIN]	✓	—	✓
	[H.DTL LEVEL]	✓	—	✓
	[V.DTL LEVEL]	✓	—	✓
	[DTL CORING]	✓	—	✓
	[DTL FREQ.]	✓	—	✓
	[LEVEL DEPEND.]	✓	—	✓
	[MASTER GAMMA]	✓	—	✓
	[BLACK GAMMA]	✓	—	✓
	[B.GAMMA RANGE]	✓	—	✓
	[MATRIX TABLE]	✓	—	✓
	[COLOR CORRECT]	✓	—	✓
[HIGH SETTING]	[MASTER GAIN]	✓	—	✓
	[H.DTL LEVEL]	✓	—	✓
	[V.DTL LEVEL]	✓	—	✓
	[DTL CORING]	✓	—	✓
	[DTL FREQ.]	✓	—	✓
	[LEVEL DEPEND.]	✓	—	✓
	[MASTER GAMMA]	✓	—	✓
	[BLACK GAMMA]	✓	—	✓
	[B.GAMMA RANGE]	✓	—	✓
	[MATRIX TABLE]	✓	—	✓
	[COLOR CORRECT]	✓	—	✓
[DRS]		✓	—	✓
[DRS EFFECT DEPTH]		✓	—	✓
[DNR]		✓	—	✓
[CAMERA SETTINGS]	[DETAIL]	✓	—	✓
	[GAMMA]	✓	—	✓
	[TEST SAW]	✓	—	✓
	[FLARE]	✓	—	✓
	[H-F COMPE.]	✓	—	✓

[AUDIO] menu

	Item	SCENE	SETUP	INITIALIZE
[INPUT SETTINGS]	[FRONT MIC POWER]	—	✓	✓
	[REAR MIC POWER]	—	✓	✓
	[FRONT MIC LEVEL]	—	✓	✓
	[REAR MIC CH1/3 LEVEL]	—	✓	✓
	[REAR MIC CH2/4 LEVEL]	—	✓	✓
	[REAR LINE IN LEVEL]	—	✓	✓
	[WIRELESS WARN]	—	✓	✓
	[WIRELESS TYPE]	—	✓	✓
[REC CH SETTINGS]	[VOL. SELECT]	—	✓	✓
	[FRONT VOL. CH1]	—	✓	✓
	[FRONT VOL. CH2]	—	✓	✓
	[FRONT VOL. CH3]	—	✓	✓
	[FRONT VOL. CH4]	—	✓	✓
	[CH1 LEVEL]	—	✓	✓

Chapter 4 Operation — Target items for scene file/setup file/initialization

	Item	SCENE	SETUP	INITIALIZE
	[CH2 LEVEL]	—	✓	✓
	[CH3 LEVEL]	—	✓	✓
	[CH4 LEVEL]	—	✓	✓
	[CH1 LEVEL CONTROL]	—	✓	✓
	[CH2 LEVEL CONTROL]	—	✓	✓
	[CH3 LEVEL CONTROL]	—	✓	✓
	[CH4 LEVEL CONTROL]	—	✓	✓
	[CH1 MIC LOWCUT]	—	✓	✓
	[CH2 MIC LOWCUT]	—	✓	✓
	[CH3 MIC LOWCUT]	—	✓	✓
	[CH4 MIC LOWCUT]	—	✓	✓
	[CH1 LIMITER]	—	✓	✓
	[CH2 LIMITER]	—	✓	✓
	[CH3 LIMITER]	—	✓	✓
	[CH4 LIMITER]	—	✓	✓
	[HEAD ROOM]	—	✓	✓
[OUTPUT SETTINGS]	[MONITOR SELECT]	—	✓	✓
	[AUDIO OUT LEVEL]	—	✓	✓
	[HDMI OUT CH]	—	✓	✓
[ALARM]	[BATTERY NEAR END]	—	✓	✓
	[BATTERY NEAR END CANCEL]	—	✓	✓
	[BATTERY END]	—	✓	✓
	[MEDIA NEAR END]	—	✓	✓
	[MEDIA END]	—	✓	✓
	[WARNING]	—	✓	✓

[VIDEO OUT/LCD/VF] menu

	Item	SCENE	SETUP	INITIALIZE
[SDI OUT1]	[OUTPUT SW]	—	✓	✓
	[OUT FORMAT]	—	✓	✓
	[3G-SDI OUT]	—	✓	✓
	[SDI REC REMOTE]	—	✓	✓
	[SDI OUT CHAR]	—	✓	✓
	[SDI OUT ZEBRA]	—	✓	✓
	[SDI OUT HDR]	—	✓	✓
	[MARKER SW]	—	✓	✓
[SDI OUT2]	[OUTPUT SW]	—	✓	✓
	[OUT FORMAT]	—	✓	✓
	[3G-SDI OUT]	—	✓	✓
	[SD-SDI EDH]	—	✓	✓
	[SDI REC REMOTE]	—	✓	✓
	[SDI OUT ZEBRA]	—	✓	✓
	[SDI OUT HDR]	—	✓	✓
	[MARKER SW]	—	✓	✓
[SDI OUTPUT ITEM]		—	✓	✓
[HDMI OUT]	[SIGNAL SEL]	—	✓	✓
	[HDMI TC OUT]	—	✓	✓
	[HDMI REC REMOTE]	—	✓	✓
[SD DOWNCON MODE]		—	✓	✓
[VF COLOR]		—	✓	✓
[LCD]	[BRIGHTNESS]	—	✓	✓
	[COLOR LEVEL]	—	✓	✓
	[CONTRAST]	—	✓	✓
	[BACK LIGHT]	—	✓	✓
	[SELF SHOOT]	—	✓	✓
[LCD/VF HDR]		—	✓	✓
[INDICATOR]	[INDICATOR SW]	—	✓	✓
	[TC]	—	✓	✓
	[TC ON COLOR BAR]	—	✓	✓

Chapter 4 Operation — Target items for scene file/setup file/initialization

	Item	SCENE	SETUP	INITIALIZE
	[REC STATUS]	—	✓	✓
	[REC MEDIA]	—	✓	✓
	[SLOT STATUS]	—	✓	✓
	[2 SLOTS FUNC.]	—	✓	✓
	[STREAMING]	—	✓	✓
	[NETWORK]	—	✓	✓
	[BATTERY REMAIN]	—	✓	✓
	[REC FORMAT]	—	✓	✓
	[CLIP NAME]	—	✓	✓
	[BONDING DEVICE]	—	✓	✓
	[REC REMOTE]	—	✓	✓
	[REC MODE]	—	✓	✓
	[FBC]	—	✓	✓
	[HDR/DRS]	—	✓	✓
	[CAC]	—	✓	✓
	[GAMMA MODE]	—	✓	✓
	[SCENE FILE]	—	✓	✓
	[AUDIO LEVEL METER]	—	✓	✓
	[GAIN]	—	✓	✓
	[SHUTTER]	—	✓	✓
	[IRIS]	—	✓	✓
	[ZOOM/FOCUS]	—	✓	✓
	[FILTER]	—	✓	✓
	[WHITE BALANCE]	—	✓	✓
	[DATE/TIME]	—	✓	✓
	[SHOOTING MODE]	—	✓	✓
	[EXTENDER]	—	✓	✓
	[D.ZOOM]	—	✓	✓
	[PLAYBACK STATUS]	—	✓	✓
[MODE CHECK INDICATOR]	[STATUS]	—	✓	✓
	[!LED]	—	✓	✓
	[FUNCTION]	—	✓	✓
	[AUDIO]	—	✓	✓
	[CAC]	—	✓	✓
	[USER SW STATUS]	—	✓	✓
	[NETWORK]	—	✓	✓
[SDI OUT1 MARKER]	[CENTER MARKER]	—	✓	✓
	[SAFETY MARKER]	—	✓	✓
	[SAFETY AREA]	—	✓	✓
	[FRAME MARKER]	—	✓	✓
	[FRAME COLOR]	—	✓	✓
[SDI OUT2 MARKER]	[CENTER MARKER]	—	✓	✓
	[SAFETY MARKER]	—	✓	✓
	[SAFETY AREA]	—	✓	✓
	[FRAME MARKER]	—	✓	✓
	[FRAME COLOR]	—	✓	✓
[LCD/VF MARKER]	[TABLE]	—	✓	✓
	[CENTER MARKER]	—	✓	✓
	[SAFETY MARKER]	—	✓	✓
	[SAFETY AREA]	—	✓	✓
	[FRAME MARKER]	—	✓	✓
	[FRAME LEVEL]	—	✓	✓
	[FRAME COLOR]	—	✓	✓
[FOCUS ASSIST]	[FOCUS ASSIST SELECT]	—	✓	✓
	[EXPAND MODE]	—	✓	✓
	[EXPAND VALUE]	—	✓	✓
	[PEAKING LEVEL]	—	✓	✓
	[PEAKING COLOR]	—	✓	✓
	[BLACK & WHITE]	—	✓	✓

Chapter 4 Operation — Target items for scene file/setup file/initialization

Item		SCENE	SETUP	INITIALIZE
	[DETAIL]	—	✓	✓
	[DETAIL LEVEL]	—	✓	✓
	[DETAIL FREQ.]	—	✓	✓
[EI ASSIST]	[ZEBRA1 DETECT]	—	✓	✓
	[ZEBRA2 DETECT]	—	✓	✓
	[ZEBRA2]	—	✓	✓
	[LOW LIGHT LEVEL]	—	✓	✓
	[WFM MODE]	—	✓	✓
	[WFM TRANSPARENCE]	—	✓	✓
[!LED]	[GAIN(0dB)]	—	✓	✓
	[DS.GAIN]	—	✓	✓
	[SHUTTER]	—	✓	✓
	[WHITE PRESET]	—	✓	✓
	[EXTENDER]	—	✓	✓
	[B.GAMMA]	—	✓	✓
	[MATRIX]	—	✓	✓
	[COLOR CORRECTION]	—	✓	✓
	[FILTER]	—	✓	✓
	[ATW]	—	✓	✓

[RECORDING] menu

Item		SCENE	SETUP	INITIALIZE
[FORMAT MEDIA]		—	—	—
[CLIP NAME]	[CAM INDEX]	—	—	✓
	[NEXT CARD COUNT]	—	—	✓
[REC MEDIA]		—	✓	✓
[FILE SPLIT]		—	✓	✓
[2 SLOTS FUNC.]		—	✓	✓
[PRE REC]		—	✓	✓
[REC FUNCTION]	[REC MODE]	—	✓	✓
	[REC MODE HOLD]	—	✓	✓
	[INTERVAL TIME]	—	✓	✓
[TC/UB]	[DF/NDF]	—	✓	✓
	[UB MODE]	—	✓	✓
	[TC IN/OUT SEL]	—	✓	✓
	[TC OUT REF]	—	✓	✓
[REC COUNTER]		—	✓	✓

[NETWORK] menu

Item		SCENE	SETUP	INITIALIZE
[DEVICE SEL]		—	✓	✓
[NETWORK FUNC]		—	✓	✓
[IP REMOTE]	[ENABLE/DISABLE]	—	✓	✓
	[USER ACCOUNT]	—	—	✓
	[ACCOUNT LIST]	—	—	✓
[STREAMING]	[STREAMING FORMAT]	—	✓	✓
	[START TRIGGER]	—	✓	✓
	[CONNECTION INFO.]	—	✓	✓
	[DATA TYPE]	—	—	—
	[RECEIVER URL]	—	✓	✓
	[MULTICAST ADDRESS]	—	✓	✓
	[MULTICAST PORT]	—	✓	✓
	[LOAD (SD CARD)]	—	—	—
	[SAVE (SD CARD)]	—	—	—
	[CLEAR (MEMORY)]	—	—	—
	[START]	—	—	✓
[NDI HX]	[ACTIVATION]	—	—	—
	[STREAMING FORMAT]	—	✓	✓

Chapter 4 Operation — Target items for scene file/setup file/initialization

Item		SCENE	SETUP	INITIALIZE
	[MULTICAST]	—	✓	✓
	[MULTICAST ADDRESS]	—	✓	✓
	[MULTICAST PORT]	—	✓	✓
	[CLEAR ACTIVATION]	—	—	—
[LAN PROPERTY]	[MAC ADDRESS]	—	—	—
	[IPv4 SETTING]	[DHCP]	✓	✓
		[IP ADDRESS]	✓	✓
		[SUBNET MASK]	✓	✓
		[DEFAULT GATEWAY]	✓	✓
		[PRIMARY DNS]	✓	✓
		[SECONDARY DNS]	✓	✓
	[IPv6 SETTING]	[ENABLE/DISABLE]	✓	✓
		[DHCP]	✓	✓
		[IP ADDRESS]	✓	✓
		[PREFIX LENGTH]	✓	✓
		[DEFAULT GATEWAY]	✓	✓
		[PRIMARY DNS]	✓	✓
		[SECONDARY DNS]	✓	✓
[WLAN PROPERTY]	[MAC ADDRESS]	—	—	—
	[TYPE]	—	✓	✓
	[SSID]	—	—	✓
	[BAND]	—	✓	✓
	[CHANNEL(2.4GHz)]	—	✓	✓
	[CHANNEL(5GHz)]	—	✓	✓
	[ENCRYPTION]	—	✓	✓
	[ENCRYPT KEY]	—	—	✓
	[IPv4 SETTING]	[DHCP]	✓	✓
		[IP ADDRESS]	✓	✓
		[SUBNET MASK]	✓	✓
		[DEFAULT GATEWAY]	✓	✓
		[PRIMARY DNS]	✓	✓
		[SECONDARY DNS]	✓	✓
[INFORMATION]	[STATUS]	—	—	—
[UTILITY]	[NETWORK INITIALIZE]	—	—	—
	[EASY IP SETTING]	—	—	✓
	[EASY IP CAMERA TITLE]	—	✓	✓

[SYSTEM] menu

Item	SCENE	SETUP	INITIALIZE
[FREQUENCY]	—	✓	✓
[FILE FORMAT]	—	✓	✓
[REC FORMAT]	—	✓	✓
[AUDIO SAMPLE RES.]	—	✓	✓
[SHOOTING MODE]	—	✓	✓

[OTHERS] menu

Item	SCENE	SETUP	INITIALIZE
[FILE]	[SCENE FILE(SD CARD)]	—	—
	[SETUP FILE(SD CARD)]	—	—
	[SETUP FILE(MEMORY)]	—	—
	[CAC FILE(SD CARD)]	—	—
	[LENS FILE(SD CARD)]	—	—
	[LENS FILE(MEMORY)]	—	—
	[SLOT FOR LOAD/SAVE]	✓	✓
[BATTERY]	[DC IN SOURCE]	✓	✓
	[DC IN BATTERY]	[FULL VOLT]	✓
		[NEAR END VOLT]	✓
		[END VOLT]	✓

Chapter 4 Operation — Target items for scene file/setup file/initialization

Item		SCENE	SETUP	INITIALIZE
[ONBOARD BATTERY]	[BATTERY SEL]	—	✓	✓
	[FULL VOLT]	—	✓	✓
	[NEAR END VOLT]	—	✓	✓
	[END VOLT]	—	✓	✓
	[NEAR END INFO]	—	✓	✓
	[END INFO]	—	✓	✓
[GENLOCK]	[GENLOCK]	—	✓	✓
	[H PHASE COARSE]	—	✓	✓
	[H PHASE FINE]	—	✓	✓
[COLOR BARS]	[COLOR BARS TYPE]	—	✓	✓
	[TEST TONE]	—	✓	✓
[LED]	[REC TALLY]	—	✓	✓
	[ACCESS LED]	—	✓	✓
	[LAN LED]	—	✓	✓
	[STREAMING LED]	—	✓	✓
[CLOCK]	[CLOCK SETTING]	—	—	—
	[TIME ZONE]	—	—	—
	[DATE FORMAT]	—	✓	✓
[GPS]		—	✓	✓
[USB DEVICE]	[CARD READER MODE]	—	—	—
	[SERVICE MODE]	—	—	—
[INFORMATION]	[VERSION]	—	—	—
	[OPERATION TIME]	—	—	—
	[UPDATE]	—	—	—
[LANGUAGE]		—	✓	✓
[MENU INITIALIZE]		—	—	—

[OPTION] menu

Item	SCENE	SETUP	INITIALIZE
[AREA SETTINGS]	—	—	—

Chapter 5 **Shooting**

This chapter describes the basic procedure for recording. This chapter also describes the special recording method.

Basic procedures

This section describes the basic procedures for shooting and recording. Before you actually start shooting, pre-inspect your system to ensure that it works properly. (page 48)

Preparing power supply and inserting memory cards

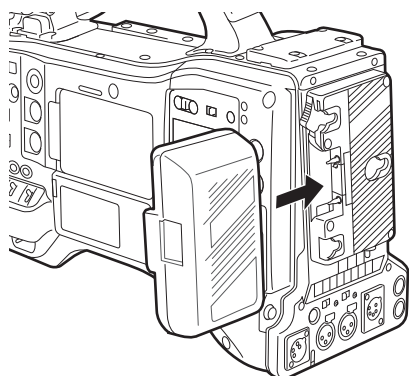


Fig. 1

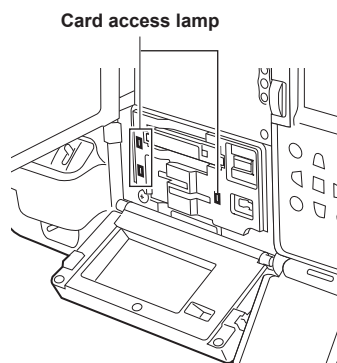


Fig. 2

1 Insert a charged battery pack. (Fig. 1)

2 Set the power switch to < | > (ON), and make sure that five or more levels on the battery level display bar on the display window are lit.

If less than five levels of the battery level display bar are lit, be sure to check the battery settings. (page 104)

If the settings are correct, replace with a fully charged battery.

3 Insert a memory card, make sure that the card access lamp is illuminated in orange or green, and then close the slot cover. (Fig. 2)

When two microP2 cards or SD cards are inserted in the card slots 2 and 3, the card with the smaller slot number will be recorded to first. However, the memory card inserted later will be recorded after the memory card that was inserted first.

• Example: When microP2 cards are inserted in two card slots

If microP2 cards are inserted into two slots, the cards are used in the order of card slot 2 → 3. However, if the microP2 card in the card slot 2 is removed and then re-inserted, the cards will be used in the order of card slot 3 → 2.

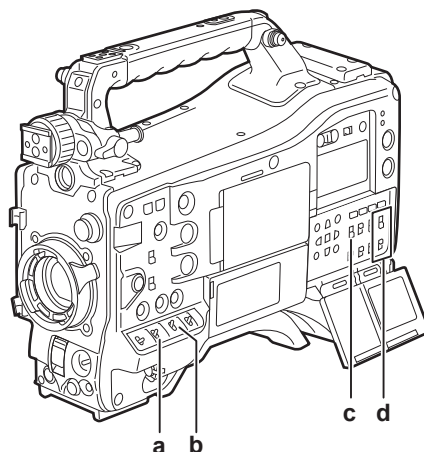
The card slot number to be recorded to is held even if the camera is turned off. When the camera is next turned on, recording can be continued to the memory card inserted in the same card slot as before the camera was turned off.

NOTE

- If a low battery charge level is indicated even after replacing with a fully charged battery, make sure that the battery has been set correctly. (page 104)
- Specify the card slot to use on the menu in advance. It cannot record when a memory card is inserted in a card slot that is not set.
 - Select the memory card format or card slot to use according to the following methods.
 - Set in the [RECORDING] menu → [REC MEDIA].
 - Re-insert the card into the set card slot. (page 52)
- Displays the card slot number on the remaining memory card capacity display area of the viewfinder when recording target card slot switches. For details on indications in the viewfinder, refer to "Configuration of status display on viewfinder screen" (page 142).

Switch settings for shooting

After turning on the power and inserting a memory card, set the switches as follows.



- a: **<GAIN> switch**
Normally, set this to <L> (0 dB). If it is too dark, set the gain to an appropriate value.
- b: **<OUTPUT>/<AUTO KNEE> switch**
Set this switch to <CAM>/<ON>.
- c: **<TCG> switch**
Set this switch to <F-RUN> or <R-RUN>.
- d: **<AUDIO SELECT CH1/3>/<AUDIO SELECT CH2/4> switch**
Set this switch to <AUTO>.

Adjustments for shooting

For shooting, use the following steps.

1 Switch the <CC FILTER>/<ND FILTER> dial setting according to the light conditions.

For details on setting example of the <CC FILTER>/<ND FILTER> dial, refer to “Shooting and recording (Camera unit)” (page 25).

2 Operate the <WHITE BAL> switch.

■ When white balance is already saved in memory

- Set the <WHITE BAL> switch to <A> or .

■ When neither white or black balance is saved in memory and there is no time to adjust the white balance:

- Set the <WHITE BAL> switch to <PRST>. The white balance matched to the filter is automatically adjusted according to the <CC FILTER>/<ND FILTER> dial setting.

■ When adjusting the white balance on the spot

- Select the filter matched to the lighting conditions. Set the <WHITE BAL> switch to <A> or , shoot a white subject in the center of the screen, and follow the steps below to adjust the white balance.

- 1) Press the <AUTO W/B BAL> switch towards the <AWB> side to adjust the white balance. (page 123)
- 2) Press the <AUTO W/B BAL> switch towards the <ABB> side to adjust the black balance. (page 125)
- 3) Press the <AUTO W/B BAL> switch towards the <AWB> side to re-adjust the white balance.

3 Point the camera at the subject and adjust the focus and zoom.

4 When using the electronic shutter, set the shutter mode and shutter speed. (page 126)

NOTE

- When highly bright subjects (e.g. sun or lighting) are shot, the periphery of the subject might be colored.

Normal recording

Press the <REC> button to start recording of video and audio on the memory card.

A data consisting of image and sound generated by a single shooting action, together with additional information, is called a “clip”.

1 Press the <REC> button to start recording.

The [REC] lamp in the viewfinder is illuminated during recording.

2 Press the <REC> button again to stop.

The [REC] lamp in the viewfinder goes out.

NOTE

- <REV (◀)>/<STOP (■)>/<FWD (▶)>/<PLAY/PAUSE (▶/||)> buttons will not operate during recording.
- In the following cases, it may take time to complete writing to the memory card.
Pressing the <REC> button does not accept operations immediately.
 - When short-burst recording is stopped
 - When stopping recording immediately after recording to the second memory card
- The recording is started using the memory of the camera even if the recording is started right after the memory card is inserted or the power is turned on. In such case, the recording cannot be stopped until the memory card is recognized. The warning is displayed as [REC PAUSE INVALID] at this time.

Adjusting the white and black balance

To obtain high-quality video at all times using the camera, the white and black balance must be adjusted according to conditions. Adjust the AWB (white balance adjustment), ABB (black balance adjustment), and AWB (white balance adjustment) in order to obtain higher image quality.

NOTE

- When white or black balance is adjusted while video is disrupted by the genlock, adjustment may not be performed correctly. Adjust white or black balance again after video has returned to normal.

White balance adjustment

The white balance must be adjusted again when the lighting conditions change. Follow the steps below to adjust the white balance automatically.

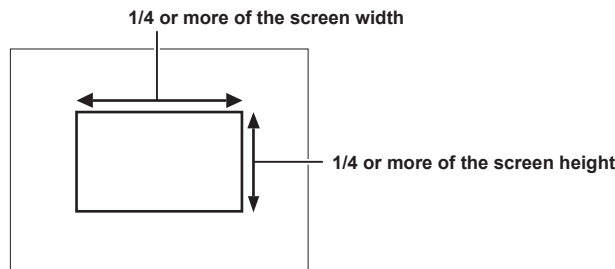
■ Storing in memory <A>

- 1 Set the <WHITE BAL> switch to <A>.
- 2 Set the <GAIN> and <OUTPUT>/<AUTO KNEE> switches.
- 3 Select the <CC FILTER>/<ND FILTER> dial setting according to the light conditions.
For details on setting example of the <CC FILTER>/<ND FILTER> dial, refer to “Shooting and recording (Camera unit)” (page 25).
- 4 Place the white pattern at a point where the light conditions match those for the light source for the subject, and zoom in on the white pattern so that the white color appears in the screen.
- 5 Adjust the lens aperture.
- 6 Press the <AUTO W/B BAL> switch towards <AWB> side and then release it.

The switch returns to the central position and the white balance will be automatically adjusted.

■ White pattern

- A white object (cloth or wall) near the subject may also be used for the white pattern.
- Required size of white pattern is as follows.



- Keep bright spotlights out of the screen.
- The white pattern must be placed at the center of the screen.

■ Messages displayed in the viewfinder and LCD monitor

- When the auto tracking white balance (ATW) function is operating, white balance cannot be adjusted.

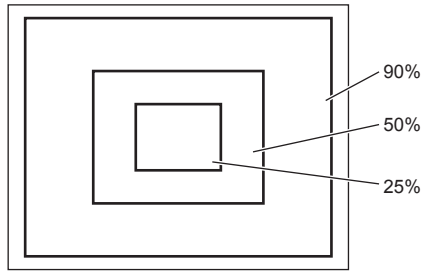
Status	Message	Remark
During adjustment	[AWB A ACTIVE]	
Adjustment completed	[AWB A OK 3200K]	<ul style="list-style-type: none"> • The adjusted value is automatically stored in the specified memory (A or B).
If the color temperature of the subject is low or higher than 15000 K	[AWB NG <COLOR TEMP LOW>] [AWB NG <COLOR TEMP HIGH>]	<ul style="list-style-type: none"> • [AWB NG <COLOR TEMP LOW>] indicates that the temperature is lower than the displayed temperature. [AWB NG <COLOR TEMP HIGH>] indicates that the temperature is higher than the displayed color temperature.

■ [COLOR TEMP Ach SETTING]/[COLOR TEMP Bch SETTING] setting

- The color hue can be changed after the white balance has been adjusted automatically, after setting each item in the [SCENE FILE] menu → [COLOR TEMP Ach SETTING]/[COLOR TEMP Bch SETTING].
- Adjusting either one of [COLOR TEMP], [R GAIN], [B GAIN], and [G AXIS] changes the other three values.
- Performing the automatic white balance again resets [COLOR TEMP], [R GAIN], [B GAIN], and [G AXIS].

Detection range of white balance

The white balance detection range can be selected from [90%], [50%], and [25%] in the [CAMERA] menu → [WHITE BALANCE MODE] → [AWB AREA]. The factory setting value is [25%].



When having no time to adjust the white balance

Set the <WHITE BAL> switch to <PRST>.

- The value displayed as [VAR] is not always assured. Use it as a reference value.
- According to the shooting conditions, turn the <CC FILTER>/<ND FILTER> dial and set the filter.

When the white balance has not been automatically adjusted

When the white balance has not been successfully adjusted, an error message is displayed on the viewfinder screen and LCD monitor displays.

Error message	Meaning	Remedy
[AWB NG <LOW LIGHT>]	There is insufficient light.	Increase the amount of light or increase gain.
[AWB NG <LEVEL OVER>]	There is too much light.	Decrease the amount of light or decrease gain.
[AWB NG <COLOR TEMP LOW>] or [AWB NG <COLOR TEMP HIGH>]	The color temperature is too high, or too low.	Use the appropriate filter or light source.

White balance memory

Values stored to memory are saved until white balance is adjusted again even if the camera is turned off. There are two white balance memories, A and B.

When set to the [CAMERA] menu → [WHITE BALANCE MODE] → [FILTER INH] → [ON] (initial setting), memory on each of <A> and is limited to one, respectively. In this case, content in memory is not interlocked with the filter.

When [FILTER INH] is set to [OFF], the adjustment values of each filter can be automatically stored to memory corresponding to the <WHITE BAL> switch setting (<A> or).

The camera has four built-in filters so a total of eight (4×2) adjustment values can be stored to memory.

When the super gain function is enabled, the <AUTO W/B BAL> switch does not function and the message ([AWB UNABLE]/[S.GAIN MODE]) is displayed.

Viewfinder and LCD monitor screen displays relating to white balance

For details, refer to “Screen display during shooting” (page 143).

Setting the auto tracking white balance function (ATW)

The camera is equipped with the Auto Tracking White Balance (ATW) function that automatically tracks the white balance of images according to the lighting conditions.

Assigns the auto tracking white balance function to the <A>//<PRST> of <WHITE BAL> switch. Set in the [CAMERA] menu → [WHITE BALANCE MODE] → [ATW].

Note that if the auto tracking white balance function is assigned to the USER button, the function follows the operation of the USER button.

For details, refer to “Assigning function to the USER buttons” (page 129).

Canceling the auto tracking white balance

Press the USER button which the auto tracking white balance function is assigned again, or switch the <WHITE BAL> switch. Note that if the auto tracking white balance function is set to the <WHITE BAL> switch, the function cannot be canceled with the USER button.

NOTE

- Auto tracking white balance function does not guarantee 100% accuracy for the white balance. Note that the tracking performance relative to changes in ambient lighting and white balance performance of the auto tracking white balance function has been given a certain degree of latitude.

Manual setting of color temperature

White balance can be adjusted manually according to the color temperature setting. The manual color temperature setting can be set individually to <PRST>, <A> and of the <WHITE BAL> switch.

Sets the color temperature to be assigned to <PRST> in the [CAMERA] menu → [WHITE BALANCE MODE] → [W.BAL PRESET]/[W.BAL VAR].

[W.BAL PRESET]: This can be selected from [3200K], [5600K], and [VAR].

[W.BAL VAR]: Can be set to [2000K] to [15000K] (when the <CC FILTER> dial is <A>), [2380K] to [>15000K] (when the <CC FILTER> dial is), [2730K] to [>15000K] (when the <CC FILTER> dial is <C>), and [2890K] to [>15000K] (when the <CC FILTER> dial is <D>).

Sets the color temperature to be assigned to <A>/ in each item in the [SCENE FILE] menu → [COLOR TEMP Ach SETTING]/[COLOR TEMP Bch SETTING].

 **NOTE**

- Even if color temperature is set manually, the color temperature adjusted automatically is recorded to the setting of the <WHITE BAL> switch at that time if white balance is automatically adjusted. The value of the color temperature also changed when the position of the <CC FILTER> dial is switched.

Black balance adjustment

Black balance must be adjusted in the following instances:

- When the camera is used for the first time
- When used after a long period of time without use
- When the ambient temperature has changed considerably
- When super gain is set with the USER button
- When the [CAMERA] menu → [USER SW] → [USER1] to [USER5] → [DS.GAIN] is assigned
- When the digital super gain assignment is changed in the [CAMERA] menu → [USER SW GAIN] → [DS.GAIN]
- When toggling items in the [SYSTEM] menu → [REC FORMAT].

To shoot optimum video, we recommend adjusting the black balance immediately before shooting.

Before adjusting the black balance, prepare the conditions for adjusting the white balance.

1 Press the <AUTO W/B BAL> switch towards <ABB> side and then release it.

The switch returns to the central position and the black balance will be automatically adjusted.

Adjustment is completed in several seconds.

■ Messages displayed in the viewfinder and LCD monitor

Status	Message	Remark
During adjustment	[ABB ACTIVE]	—
Adjustment completed	[ABB OK]	• The adjusted value is automatically stored in memory.

 **NOTE**

- Make sure that the lens connector is connected and that the lens aperture is in the close mode.
- During black balance adjustment, the aperture is set to automatically shut out light.
- During recording, black balance cannot be adjusted.
- Video is not recorded to the memory card even if the <REC> button is pressed while executing the automatic black balance.
- The gain switching circuit is automatically switched during black balance adjustment. Flicker or noise sometimes appears on the viewfinder screen and LCD monitor. This is not a malfunction.
- Even after automatic black balance has ended, if black shading is a cause for concern, select the [CAMERA] menu → [BLACK SHADING] → [DETECTION], and adjust black shading. Alternatively, set to the [CAMERA] menu → [SW MODE] → [SHD, ABB SW CTL] → [ON] and hold down the <AUTO W/B BAL> switch for two seconds or more to adjust black shading. [BLACK SHADING READY] will be displayed in the viewfinder, and black shading can be automatically adjusted after the automatic black balance operation. While black shading is being adjusted, [BLACK SHADING ACTIVE] will be displayed in the viewfinder. After this, be sure to close down the lens aperture until [BLACK SHADING OK] is displayed in the viewfinder.
- When black balance is being automatically adjusted (when [ABB ACTIVE] is displayed in the viewfinder), adjustment is canceled by pushing the <AUTO W/B BAL> switch towards <ABB> side again. The adjustment values will return to the values before automatic adjustment was performed.

Black balance memory

Values stored to memory are saved even if the camera is turned off.

Setting the electronic shutter

Shutter mode

The shutter modes available on the camera's electronic shutter and shutter speeds that can be selected are as follows.

- Using a fixed shutter speed
 - When removing flicker caused by lighting
 - When shooting fast-moving subjects clearly
- Using the synchro scan mode
 - When shooting eliminating stripe patterns in the horizontal direction while shooting on the monitor screen
 - When shooting moving subjects with special effects
- Using the half shutter speed
 - When shooting with special effects such as films

[REC FORMAT]*	Shutter speed	Half shutter speed	Variable range of synchro scan mode
59.94p 59.94i	[1/100], [1/120], [1/250], [1/500], [1/1000], [1/2000], [HALF]	1/120	1/60.0 to 1/7200
29.97p		1/60	1/30.0 to 1/7200
23.98p		1/48	1/24.0 to 1/7200
50.00p 50.00i	[1/60], [1/120], [1/250], [1/500], [1/1000], [1/2000], [HALF]	1/100	1/50.0 to 1/7200
25.00p		1/50	1/25.0 to 1/7200

* [REC FORMAT] indicates only frame rate. For example, [1080-59.94i/AVC-G50] is 59.94i, and [2160-29.97p/420LongGOP 100M] is 29.97p.

Setting the shutter mode/shutter speed

Switch the <SHUTTER> switch to set the shutter speed in the shutter mode.

The shutter speed in the synchro scan mode can be changed by the <SYNCHRO SCAN> button on the side.

The shutter speed selection range can be restricted or use of the synchro scan mode can be selected beforehand in each item in the [CAMERA] menu → [SHUTTER SPEED].

Once selected, the shutter speed is saved even after the camera is turned off.

1 Press the <SHUTTER> switch positioned at <OFF> towards <ON>.

[POSITION1] is enabled.

2 Press the <SHUTTER> switch from <ON> towards <SEL>, and repeat this operation until the desired shutter mode or shutter speed is displayed on the viewfinder screen.

- If all shutter modes and shutter speeds are available, the display changes in the following order.
[POSITION1], [POSITION2], [POSITION3], [POSITION4], [POSITION5], [POSITION6], [SYNCHRO SCAN]

NOTE

- Whichever shutter mode the electronic shutter is used in, the higher the shutter speed, the lower the sensitivity of the camera becomes.
- When the aperture is in the automatic mode, it will increasingly open and the depth of focus will become shallower as the shutter speed is increased.
- Under lighting conditions using fluorescent lighting or other discharge tube, horizontal stripes might appear on screen. If this happens, this can be improved by adjusting the shutter speed.
- A subject that quickly crosses the camera may appear distorted when shot. This is due to the method applied for reading the signals from the pickup device (MOS sensor), and is not a malfunction.
- Shutter mode is disabled while the digital super gain function is active.

Viewfinder screen display for shutter

For details, refer to "Display of the viewfinder status" (page 142).

Setting synchro scan mode

Follow the steps below to operate.

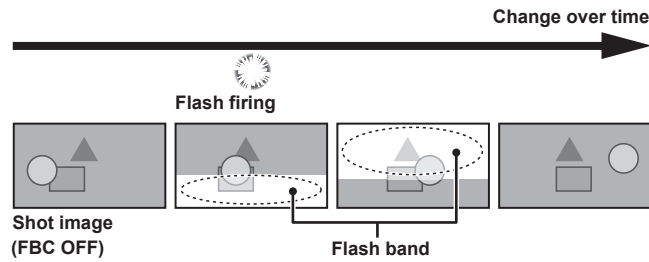
1 Press the <SHUTTER> switch from the <ON> side towards the <SEL> side to set the camera to the synchro scan mode.

2 Press the <SYNCHRO SCAN> button to adjust the shutter speed.

The shutter speed display in the synchro scan mode can be switched between seconds and angle in the [SCENE FILE] menu → [SYNC SCAN TYPE].

Flash band compensation (FBC) function

The camera is equipped with a function for compensating and reducing band-like interference (called “flash band”) that occurs due to the MOS pickup device when shooting in environments where flash strobe light such as that from still cameras is present.



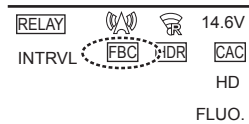
Setting the flash band compensation function

Assign the flash band compensation function to the USER buttons.

By pressing the USER buttons that are assigned with the flash band compensation function, the function turns on, and flash strobe from a still camera, etc. can be detected and compensated.

For details, refer to “Assigning function to the USER buttons” (page 129).

When the flash band compensation function is enabled, [FBC] is displayed on the STATUS screen.



NOTE

- When the flash strobe lights, the following phenomena may occur. These are due to the flash band compensation function and are not malfunctions.
 - Moving subjects look as if they have stopped suddenly.
 - The resolution when the flash strobe light drops.
 - Horizontal lines appear in the video when the flash strobe lights.
 - Flash bands may appear only in images shot at the time the flash is fired.

Using the flash band compensation function

The flash band compensation function is activated when there are large changes in brightness at the bottom of the screen regardless of whether there is flash strobe light. The flash band compensation function may be activated depending on the shooting environment such as where a bright window has zoomed in and then out. So, we recommend use of this function in shooting environments where flash strobe lighting is anticipated.

Even if flash strobe lighting occurs, sufficient flash band compensation function effect may not be obtained in some shooting environments.

Flash band compensation function operation conditions

- The flash band compensation function can be used under the conditions that electronic shutter and digital super gain functions are all not operating.
- Even if the flash band compensation function is enabled, the flash band compensation function is temporarily disabled if the camera is changed to a mode where the flash band compensation function cannot be used.

When using the function again, return to a mode that can use the flash band compensation function. Flash band compensation function will be automatically enabled.

The flash band compensation function is disabled once the power is turned off.

Setting high dynamic range (HDR)

Recording in high dynamic range (HDR)

1 Select the [SCENE FILE] menu → [GAMMA MODE SEL] → [HLG].

The output will be as follows.

<SDI OUT1> terminal: Outputs in high dynamic range (HDR) or standard dynamic range (SDR) according to the setting of the [VIDEO OUT/LCD/VF] menu → [SDI OUT1] → [SDI OUT HDR].

<SDI OUT2> terminal: Outputs in high dynamic range (HDR) or standard dynamic range (SDR) according to the setting of the [VIDEO OUT/LCD/VF] menu → [SDI OUT2] → [SDI OUT HDR].

<HDMI> terminal: When set to the [VIDEO OUT/LCD/VF] menu → [HDMI OUT] → [SIGNAL SEL] → [SDI OUT1(2160p)], outputs according to the setting of the [VIDEO OUT/LCD/VF] menu → [SDI OUT1] → [SDI OUT HDR]. When set to [SDI OUT2], outputs according to the setting of the [VIDEO OUT/LCD/VF] menu → [SDI OUT2] → [SDI OUT HDR].

Viewfinder, LCD monitor: Outputs according to the setting of the [VIDEO OUT/LCD/VF] menu → [LCD/VF HDR]. HDR or SDR can be selected when recording in HDR.

Playing back the signal recorded in high dynamic range (HDR)

When set to the [SCENE FILE] menu → [GAMMA MODE SEL] → [HLG], detects the recorded information and sets as follows.

■ When recorded information is in high dynamic range

<SDI OUT1> terminal: Outputs in high dynamic range (HDR) or standard dynamic range (SDR) according to the setting of the [VIDEO OUT/LCD/VF] menu → [SDI OUT1] → [SDI OUT HDR].

<SDI OUT2> terminal: Outputs in high dynamic range (HDR) or standard dynamic range (SDR) according to the setting of the [VIDEO OUT/LCD/VF] menu → [SDI OUT2] → [SDI OUT HDR].

<HDMI> terminal: When set to the [VIDEO OUT/LCD/VF] menu → [HDMI OUT] → [SIGNAL SEL] → [SDI OUT1(2160p)], outputs according to the setting of the [VIDEO OUT/LCD/VF] menu → [SDI OUT1] → [SDI OUT HDR]. When set to [SDI OUT2], outputs according to the setting of the [VIDEO OUT/LCD/VF] menu → [SDI OUT2] → [SDI OUT HDR].

Viewfinder, LCD monitor: Outputs according to the setting of the [VIDEO OUT/LCD/VF] menu → [LCD/VF HDR]. HDR or SDR can be selected when recording in HDR.

■ When recorded information is not in high dynamic range or there is no recorded information

<SDI OUT1>/<SDI OUT2>/<HDMI> terminal, view finder, LCD monitor: Outputs the recorded video as is.

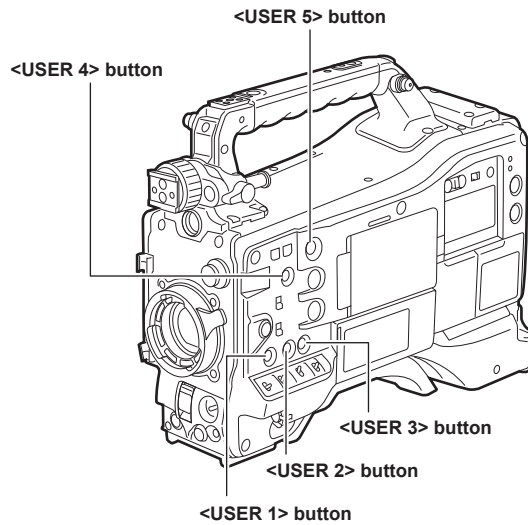
Following settings will be disabled: the [VIDEO OUT/LCD/VF] menu → [SDI OUT1]/[SDI OUT2] → [SDI OUT HDR], the [VIDEO OUT/LCD/VF] menu → [LCD/VF HDR].

NOTE

- For clips recorded with high dynamic range (hybrid log gamma), [HLG] is displayed for [GAMMA] item in detailed information about the clip displayed in the [THUMBNAIL] menu → [CLIP] → [INFORMATION].
- Recorded video will be output as is regardless of recorded information when anything other than the [SCENE FILE] menu → [GAMMA MODE SEL] → [HLG] is selected.

Assigning function to the USER buttons

Selected function can be assigned to the USER buttons.
The camera has five USER buttons.



1 Select the function to assign to each in the [CAMERA] menu → [USER SW] → [USER1] to [USER5].

■ Factory settings

USER button	Function
<USER 1> button	[FOCUS ASSIST]
<USER 2> button	[S.GAIN]
<USER 3> button	[DS.GAIN]
<USER 4> button	[Y GET]
<USER 5> button	[WFM]

Selectable functions

Item name	Description
[INHIBIT]	Disables assignment of functions.
[DRS]	Assigns the dynamic range stretcher function. This function expands the dynamic range by compressing the image level in high-luminosity areas and stretching the image level in low-luminosity areas. The compression level can be varied in the [SCENE FILE] menu → [DRS EFFECT DEPTH]. <ul style="list-style-type: none"> A slight difference in coloring might occur by enabling/disabling the dynamic range stretcher function. When the dynamic range stretcher function is enabled, the knee function or the black gamma function are not activated.
[FBC]*	Enables/disables the flash band compensation function.
[S.GAIN]*	Assigns the super gain function. Automatic white balance does not function while the super gain function is enabled.
[ATW]*	Assigns the auto tracking white balance function.
[ATW LOCK]*	Fixes the white balance value when pressing this item while the auto tracking white balance function is activated. Resumes the auto tracking white balance function when pressing again.
[Y GET]*	Assigns the function for displaying the luminance level of the image at the position indicated by the square marker displayed near the center.
[D.ZOOM]*	Assigns the digital zoom function. Zooms in on the field angle by 2x, 3x and 4x vertically and horizontally.
[DS.GAIN]*	Assigns the digital super gain function. <ul style="list-style-type: none"> The digital super gain function is activated only during shooting in 59.94p, 59.94i, 50p, and 50i. While the function is activated, the shutter becomes [OFF]. Video at the instant that the digital super gain function is enabled/disabled, becomes discontinuous.
[S.IRIS]*	Assigns the super iris function. This is enabled when performing backlight compensation.
[I.OVR]*	Assigns the iris override function. To change the target value in auto iris mode, set to this mode and press the jog dial button. Turn the jog dial button to the left or right to change the target value. [+]/[+]/[-]/[-] is displayed on the iris override display area on the viewfinder screen. Stop turning the jog dial button at the position to change the target value and press the jog dial button to apply the new target value setting. The reference value is returned when this mode is canceled or the power is turned off. [+]: Opens aperture by about 0.5. [++]: Opens aperture by about 1. [-]: Closes aperture by about 0.5. [--]: Closes aperture by about 1. No display: Reference value.
[S.BLK]*	Assigns the super black function. This is the function for lowering the black level to the pedestal level or below.
[B.GAMMA]*	Assigns the black gamma function. This function enhances the black tones. Regardless of the value set by selecting the [SCENE FILE] menu → [LOW SETTING]/[MID SETTING]/[HIGH SETTING] → [BLACK GAMMA], [BLACK GAMMA]: [6] and [B.GAMMA RANGE]: [3] are set.

Chapter 5 Shooting — Assigning function to the USER buttons

Item name	Description
[FOCUS ASSIST]*	Displays/hides the focus assist display. Select the type of display in the [VIDEO OUT/LCD/VF] menu → [FOCUS ASSIST] → [FOCUS ASSIST SELECT].
[C.TEMP]*	Assigns the function for switching to the mode for changing the color temperature by the jog dial button. This is effective for intentionally varying the color temperature after white balance has been performed. To change the color temperature, press the USER button assigned with this function, and then press the jog dial button. The color temperature indicator in the viewfinder screen flashes in reverse to indicate that the mode is entered for changing the color temperature. While the indicator is flashing, turn the jog dial button to change the color temperature. At this time, the setting value of the position (<PRST>/<A>/) where the <WHITE BAL> switch is currently set is also changed.
[ADAPTIVE MATRIX]	Enables/disables the function to control the linear matrix in accordance with the shooting condition.
[PRE REC]	Assigns the function for enabling/disabling the pre-recording.
[REC CHECK]	Assigns the function to automatically play back the last approximately three seconds of the previously shot clip.
[DEL LAST CLIP]	Assigns the function to delete the clip last shot.
[SLOT SEL]	Assigns the function for switching the card slot to record to when memory cards are inserted to card slot 2 and card slot 3.
[REC SW]	Assigns the function of the <REC> button.
[WFM]*	Assigns the function for displaying the waveform or vector in the viewfinder and LCD monitor. Select the waveform display in the [VIDEO OUT/LCD/VF] menu → [EI ASSIST] → [WFM MODE].
[LCD/VF HDR]	Assigns the function that switches output of the viewfinder and LCD monitor to high dynamic range/standard dynamic range. Enabled only when set to the [SCENE FILE] menu → [GAMMA MODE SEL] → [HLG].
[LCD/VF DETAIL]	Assigns function to adjust the intensity for the contour of the video in the viewfinder or LCD monitor to make it easier to focus.
[VF COLOR]	Assigns the function for switching the viewfinder screen to color display/monochrome display. This is interlocked with the setting value in the [VIDEO OUT/LCD/VF] menu → [VF COLOR].
[INDICATOR SW]	Assigns the function for enabling/disabling the status display.
[LOAD SETUP FILE]	Assigns the function to display the list of setup files saved in the SD card. This does not function in the thumbnail screen.
[LCD BACKLIGHT]	Assigns the function for switching the brightness of the LCD monitor. Every time the USER button is pressed, it is toggled in the order of [-1], [0], [1], and [2].
[CARD READER MODE]*	Assigns the function for enabling/disabling the card reader mode function (USB mass storage function).
[STREAMING START]*	Assigns the function for starting or stopping streaming from the camera. This is interlocked with the setting value in the [NETWORK] menu → [STREAMING] → [START].

* The function also turns off when the camera is turned off.

Note, however, that the [C.TEMP] color temperature is held after it is altered.

[USER SW GAIN] switching setting

In addition to the standard gain that can be set to <L>/<M>/<H> of the <GAIN> switch, [S.GAIN] (super gain) mode for increasing analog gain to 30 dB or more and [DS.GAIN] (digital super gain) mode for incrementally increasing gain using progressive drive can also be used in this camera.

For selection of this function, set the gains to be used in [S.GAIN] and [DS.GAIN] respectively in advance. Each item can be selected in the [CAMERA] menu → [USER SW GAIN].

When [S.GAIN] and [DS.GAIN] are assigned to one of the USER buttons, gain can be increased by a combination with assigned USER buttons.

When increasing gain without an increase in noise	Use the digital super gain function.
When increasing regular analog gain (Noise increases)	Use only the super gain function. The precision of auto iris, white balance and black balance is affected due to increased noise.
When using as a super high-sensitivity mode	Use a combination of the super gain and digital super gain functions. Note, however, that residual images will stand out more with moving subjects the greater the value for increasing gain by digital super gain is set. Pay sufficient care when using this combination of functions. For moving subjects, use [DS.GAIN] at [12dB] or below.

Selecting audio input signal and adjusting recording level

The camera supports independent 4-channel sound recording in all recording formats.

When the <AUDIO SELECT CH1/3>/<AUDIO SELECT CH2/4> switch is set to <AUTO>, the recording level of audio channels 1 and 2 (audio channels 3 and 4 according to the [AUDIO] menu → [REC CH SETTINGS] → [VOL. SELECT]) is automatically adjusted. The recording level can also be manually adjusted by the <AUDIO LEVEL CH1/3>/<AUDIO LEVEL CH2/4> dials or <F.AUDIO LEVEL> dial when the switch is set to <MANU>.

Whether to adjust the recording level of audio channels 3 and 4 (audio channels 1 and 2 according to the [AUDIO] menu → [REC CH SETTINGS] → [VOL. SELECT]) automatically or manually can be selected in the [AUDIO] menu → [REC CH SETTINGS] → [CH1 LEVEL] to [CH4 LEVEL] (adjusted by the [AUDIO] menu → [REC CH SETTINGS] → [CH1 LEVEL CONTROL] to [CH4 LEVEL CONTROL]).

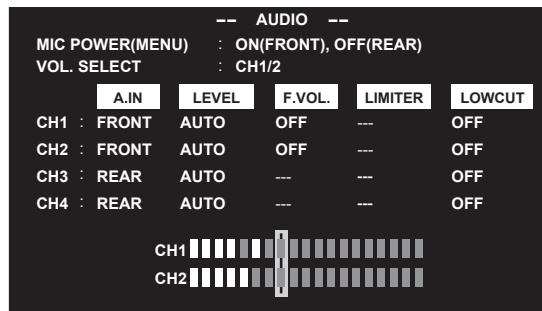
- On the camera, whether to adjust the audio level of audio channels 1 and 2 or audio channels 3 and 4 can be selected by the <AUDIO LEVEL CH1/3>/<AUDIO LEVEL CH2/4> dial.

As the factory setting, the recording level of audio channels 1 and 2 is set to be adjusted by the <AUDIO LEVEL CH1/3>/<AUDIO LEVEL CH2/4> dial.

Selecting audio input signals

Selects the audio signal to input to the audio channel 1 to 4 by <AUDIO IN CH1> to <AUDIO IN CH4> switch.

The audio input selection status can be checked on the AUDIO screen of the mode check display.



Adjusting recording level

Adjustment method of the recording level can be selected from manually adjusting by the <AUDIO LEVEL CH1/3>/<AUDIO LEVEL CH2/4> dial, adjusting by menu item, or automatic adjustment in this camera.

Selecting recording level adjustment method

Assign two audio channels to the <AUDIO LEVEL CH1/3>/<AUDIO LEVEL CH2/4> dial in the [AUDIO] menu → [REC CH SETTINGS] → [VOL. SELECT].

Two audio channels that are not assigned will be automatically adjusted, or adjust by menu item. [CH1/2] is assigned to the <AUDIO LEVEL CH1/3>/<AUDIO LEVEL CH2/4> dial in the factory setting.

[CH1/2]	Assigns the <AUDIO LEVEL CH1/3>/<AUDIO LEVEL CH2/4> dial to audio channels 1 and 2. The <AUDIO SELECT CH1/3>/<AUDIO SELECT CH2/4> switches are also enabled for channels 1 and 2. The audio channel 3 and 4 are automatically adjusted. Automatic adjustment will be disabled when the [AUDIO] menu → [REC CH SETTINGS] → [CH3 LEVEL]/[CH4 LEVEL] → [MANUAL] is set. Recording level can also be adjusted by [CH3 LEVEL CONTROL]/[CH4 LEVEL CONTROL].
[CH3/4]	Assigns the <AUDIO LEVEL CH1/3>/<AUDIO LEVEL CH2/4> dial to audio channels 3 and 4. The <AUDIO SELECT CH1/3>/<AUDIO SELECT CH2/4> switches are also enabled for audio channels 3 and 4. Audio channels 1 and 2 will be automatically adjusted. Automatic adjustment will be disabled when the [AUDIO] menu → [REC CH SETTINGS] → [CH1 LEVEL]/[CH2 LEVEL] → [MANUAL] is set. Recording level can also be adjusted by [CH2 LEVEL CONTROL]/[CH1 LEVEL CONTROL].

When the <AUDIO LEVEL CH1/3>/<AUDIO LEVEL CH2/4> dial is assigned to [CH1/2]

■ Selecting recording level adjustment method for audio channels 1 and 2

For the recording level adjustment method of audio channels 1 and 2, select <AUTO> (automatic adjustment) or <MANU> (manual adjustment by the <AUDIO LEVEL CH1/3>/<AUDIO LEVEL CH2/4> dial) by the <AUDIO SELECT CH1/3>/<AUDIO SELECT CH2/4> switch.

When <MANU> is selected, the recording level of audio channels 1 and 2 is adjusted by the <AUDIO LEVEL CH1/3>/<AUDIO LEVEL CH2/4> dial.

■ Adjustment by the <AUDIO LEVEL CH1/3>/<AUDIO LEVEL CH2/4> dial

Adjust the <AUDIO LEVEL CH1/3>/<AUDIO LEVEL CH2/4> dial while viewing the audio channel level meter in the display window or the audio level meter in the LCD monitor. When exceeding 0 dB, the topmost bar displays three segments to indicate that the recording level is too high. Adjust so it does not exceed 0 dB.

■ Adjustment by the <F.AUDIO LEVEL> dial

When operating the camera alone, using the <F.AUDIO LEVEL> dial to adjust the recording level is recommended. Select the audio channel to be adjusted in advance, and while viewing the audio level meter of the viewfinder screen, adjust the recording level with the <F.AUDIO LEVEL> dial so that the recording level does not become too high.

When adjusting the recording level with the <F.AUDIO LEVEL> dial, enable/disable the <F.AUDIO LEVEL> dial by the setting of the <AUDIO IN CH1>/<AUDIO IN CH2> switch in the [AUDIO] menu → [REC CH SETTINGS] → [FRONT VOL. CH1]/[FRONT VOL. CH2].

[OFF]: Disabled

[FRONT]: Enabled when <FRONT> is selected for the input signal

[W.L.]: Enabled when <W.L.> is selected for the input signal

[REAR]: Enabled when <REAR> is selected for the input signal

[ALL]: Enabled for all input signals

■ **Adjusting recording level of audio channels 3 and 4**

Automatic adjustment will be enabled when the [AUDIO] menu → [REC CH SETTINGS] → [CH3 LEVEL]/[CH4 LEVEL] → [AUTO] is set. When these items are set to [MANUAL], automatic adjustment stops functioning, and the recording level can be adjusted in the [AUDIO] menu → [REC CH SETTINGS] → [CH3 LEVEL CONTROL]/[CH4 LEVEL CONTROL].

When the <AUDIO LEVEL CH1/3>/<AUDIO LEVEL CH2/4> dial is assigned to [CH3/4]

■ **Selecting recording level adjustment method for audio channels 3 and 4**

For the level adjustment method of audio channels 3 and 4, select <AUTO> (automatic adjustment) or <MANU> (manual adjustment by the <AUDIO LEVEL CH1/3>/<AUDIO LEVEL CH2/4> dial) with the <AUDIO SELECT CH1/3>/<AUDIO SELECT CH2/4> switch.

When <MANU> is selected, the recording level of audio channels 3 and 4 is adjusted by the <AUDIO LEVEL CH1/3>/<AUDIO LEVEL CH2/4> dial.

■ **Adjustment by the <AUDIO LEVEL CH1/3>/<AUDIO LEVEL CH2/4> dial**

Adjustment can be made by the <AUDIO LEVEL CH1/3>/<AUDIO LEVEL CH2/4> dial as when the <AUDIO LEVEL CH1/3>/<AUDIO LEVEL CH2/4> dial is assigned to audio channels 1 and 2.

■ **Adjustment by the <F.AUDIO LEVEL> dial**

Similar to the audio channels 1 and 2, the audio channels 3 and 4 can be assigned to the <F.AUDIO LEVEL> dial. When operating the camera alone, using the <F.AUDIO LEVEL> dial to adjust the recording level is recommended.

■ **Adjusting recording level of audio channels 1 and 2**

Automatic adjustment will be enabled when the [AUDIO] menu → [REC CH SETTINGS] → [CH1 LEVEL]/[CH2 LEVEL] → [AUTO] is set. When these items are set to [MANUAL], automatic adjustment stops functioning, and the recording level can be adjusted in the [AUDIO] menu → [REC CH SETTINGS] → [CH1 LEVEL CONTROL]/[CH2 LEVEL CONTROL].

Selecting adjustment method

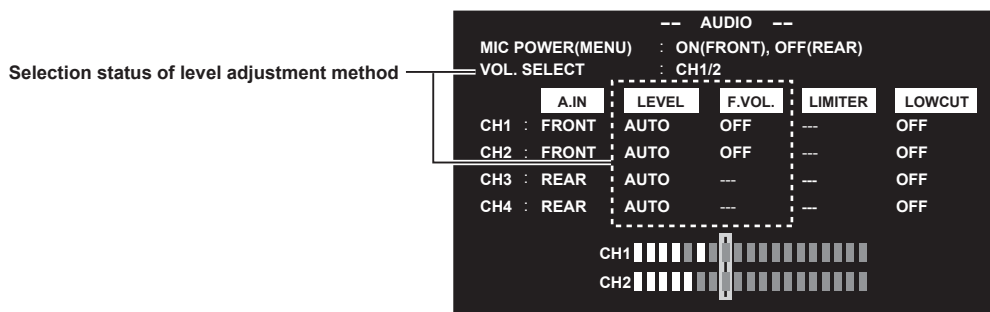
■ **When the [AUDIO] menu → [REC CH SETTINGS] → [VOL. SELECT] → [CH1/2] is selected**

Audio channel 1, audio channel 2		Audio channel 3, audio channel 4	
<AUDIO SELECT CH1/3> switch <AUDIO SELECT CH2/4> switch	Adjustment method	[CH3 LEVEL] [CH4 LEVEL]	Adjustment method
<MANU>	Manually adjusted with the <AUDIO LEVEL CH1/3>/<AUDIO LEVEL CH2/4> dial	[MANUAL]	Adjusted with [CH3 LEVEL CONTROL]/[CH4 LEVEL CONTROL]
<AUTO>	Automatic adjustment	[AUTO]	Automatic adjustment

■ **When the [AUDIO] menu → [REC CH SETTINGS] → [VOL. SELECT] → [CH3/4] is selected**

Audio channel 1, audio channel 2		Audio channel 3, audio channel 4	
[CH1 LEVEL] [CH2 LEVEL]	Adjustment method	<AUDIO SELECT CH1/3> switch <AUDIO SELECT CH2/4> switch	Adjustment method
[MANUAL]	Manually adjusted with [CH1 LEVEL CONTROL]/[CH2 LEVEL CONTROL]	<MANU>	Manually adjusted with the <AUDIO LEVEL CH1/3>/<AUDIO LEVEL CH2/4> dial
[AUTO]	Automatic adjustment	<AUTO>	Automatic adjustment

Selection status of the recording level adjustment method can be checked on the AUDIO screen of the mode check display. (page 152)

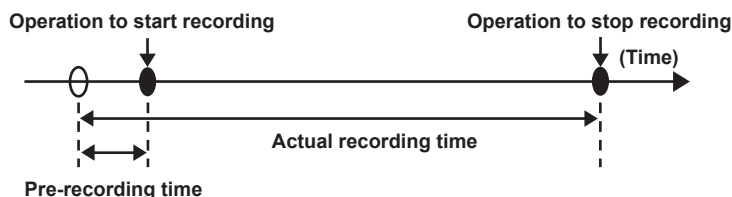


Special recording function

When recording into a memory card, pre-recording, relay recording, simultaneous recording, interval recording, and other special recording methods are available.

Pre-recording

Records the video and audio from specific time before the operation to start the recording.



The pre-recording time varies depending on the setting of the [SYSTEM] menu → [FILE FORMAT]/[REC FORMAT].

- When [FILE FORMAT] is set to [P2]: Approximately 3 seconds
- When [FILE FORMAT] is set to [MOV], and [REC FORMAT] is set to [2160-29.97p/422ALL-I 400M], [2160-25.00p/422ALL-I 400M], or [2160-23.98p/422ALL-I 400M]: Approximately 3 seconds
- When [FILE FORMAT] is set to [MOV], and [REC FORMAT] is set to [2160-59.94p/HEVC LongGOP 200M], [2160-59.94p/HEVC LongGOP 100M], [2160-59.94p/420LongGOP 150M], [2160-50.00p/HEVC LongGOP 200M], [2160-50.00p/HEVC LongGOP 100M], [2160-50.00p/420LongGOP 150M], [2160-29.97p/HEVC LongGOP 150M], [2160-29.97p/422LongGOP 150M], [2160-29.97p/420LongGOP 100M], [2160-25.00p/HEVC LongGOP 150M], [2160-25.00p/422LongGOP 150M], [2160-25.00p/420LongGOP 100M], [2160-23.98p/HEVC LongGOP 150M], [2160-23.98p/422LongGOP 150M], or [2160-23.98p/420LongGOP 100M]: Approximately 5 seconds
- When set to other than above: Approximately 10 seconds

1 Select the [RECORDING] menu → [PRE REC] → [ON].

[P] is displayed in the recording status display of the camera image screen.

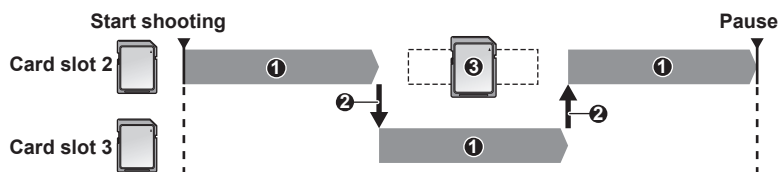
2 Press the <REC> button.

NOTE

- The video and audio may not be able to record for specific time before in following cases.
 - Immediately after the power is set to < | > (ON)
 - Immediately after opening the menu
 - Immediately after the memory card is inserted
 - Immediately after playing back the recorded video
 - Immediately after closing the thumbnail screen
 - During the time from recording stop until completion of writing to the memory card
- It will be fixed to free run regardless of the <TCG> switch position when pre-recording is enabled.
- The pre-recording is canceled once when three hours has past without starting the recording.
- For recording limitations of the pre-recording, refer to “Recording function that cannot be used simultaneously” (page 210).
- Pre-recording cannot be performed if the remaining recording capacity of the memory card is less than one minute.

Relay recording

When memory cards are inserted into the card slot 2 and the card slot 3, recording can continue on the other memory card if the remaining recording capacity for one of the memory card is exhausted.



1 During recording

- 2 Automatically switch the recording target card slot
- 3 Replace with a different recordable memory card

1 Select the [RECORDING] menu → [2 SLOTS FUNC.] → [RELAY REC].

[RELAY] is displayed in the two slot function display of the camera image screen.

A slanted line is displayed on the [RELAY] display when the relay recording is not possible, such as when a memory card is not inserted in either of the two card slots.

2 Press the <REC> button.

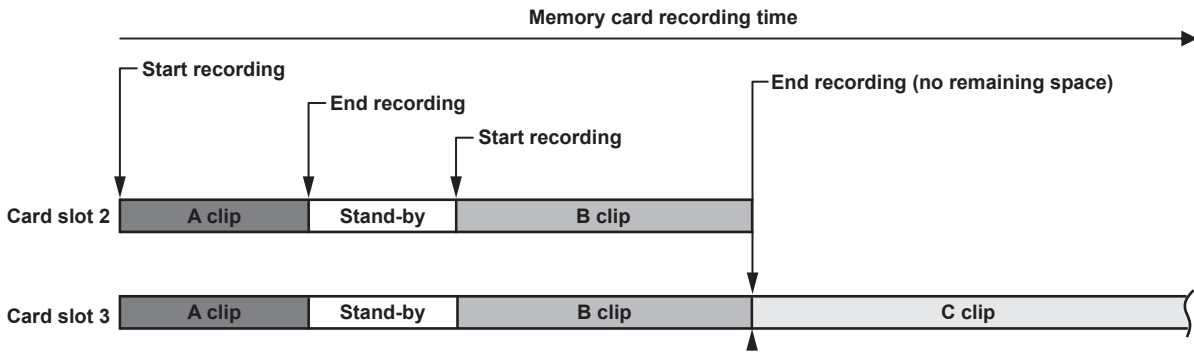
- The recording target switches to another memory card when the remaining recording capacity of one of the memory cards is exhausted during recording and relay recording starts. The number of the card slot that became the recording target is displayed with black and white inverted. Recording can be performed on three or more memory cards. Replace the memory card with no more remaining recording capacity after the recording target has switched.
- To change the recording target card slot before starting the recording, press the USER button assigned to [SLOT SEL]. This will not operate during recording.

NOTE

- It may take some time to recognize the memory card when the memory card is inserted. When recording to three or more memory cards by replacing a memory card while recording, replace the memory card with remaining capacity sufficiently left on the memory card that is recording.
- The recording target cannot be switched when the remaining capacity of the relay memory card is less than one minute.
- The maximum continuous recording time for relay recording is ten hours.
- The recording is stopped once when the recording time of relay recording exceeds ten hours. The recording is automatically resumed after few seconds.
- For recording limitations of the relay recording, refer to “Recording function that cannot be used simultaneously” (page 210).
- Relay recording is not possible between card slot 1 and card slot 2 or card slot 3.
- A clip recorded on three or more memory cards in succession through swapping them cannot be played back continuously.

Simultaneous recording

Memory cards are inserted into the card slot 2 and the card slot 3 to record the same video onto two memory cards.



1 Select the [RECORDING] menu → [2 SLOTS FUNC.] → [SIMUL REC].

[SIMUL] is displayed in the two slot function display of the camera image screen.

A slanted line is displayed on the [SIMUL] display when the simultaneous recording is not possible, such as when a memory card is not inserted in either of the two card slots.

2 Press the <REC> button.

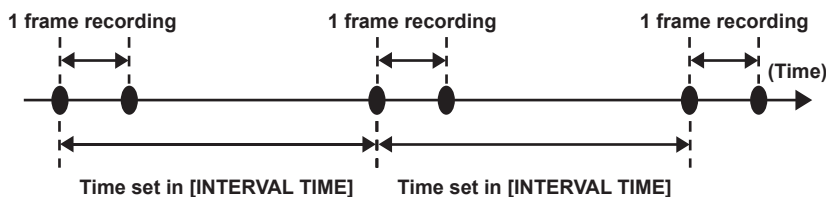
- The simultaneous recording will stop when the remaining capacity of one of the memory cards is exhausted. A slanted line is displayed in the [SIMUL] display when simultaneous recording is not possible. To start the simultaneous recording again, replace the memory card that has run out of remaining capacity with another memory card, and then press the <REC> button.
- When the <REC> button is pressed without replacing the memory card, standard recording is performed to the memory card with remaining capacity.

NOTE

- Use of memory cards with the same Speed Class or capacity for simultaneous recording is recommended. The recording may stop due to insufficient speed when memory cards with different Speed Classes or capacities are used. If the recording is stopped, the video right before stopping may become invalid recording.
- Start the recording after both of the two memory cards have been recognized. When the recording starts before both memory cards are recognized, the camera performs standard recording on one of the memory cards that has been recognized. The camera confirms the status of the memory card every time the recording is completed. If both cards are recognized at that time, it will perform the simultaneous recording from the next recording.
- When recording to one of the memory cards stops due to a recording error during simultaneous recording, recording to the other memory card continues.
- If there is remaining recording capacity on one of the memory cards after completing the simultaneous recording, the memory card with remaining recording capacity automatically becomes the recording target. Standard recording will start when the <REC> button is pressed.
- Standard recording is performed when only one memory card is inserted even if the camera is set to simultaneous recording.
- Once the simultaneous recording is completed, [DEL LAST CLIP] (final clip delete function) assigned to the USER button will not operate.
- For the folder name and the file name when performing simultaneous recording in MOV format, refer to “Handling recording data” (page 55).
- For recording limitations of the simultaneous recording, refer to “Recording function that cannot be used simultaneously” (page 210).

Interval recording

The camera will repeat one frame recording at each set interval.



1 Select the [RECORDING] menu → [REC FUNCTION] → [REC MODE] → [INTERVAL].

[INTRVL] is displayed in the special recording function display of the camera image screen.

2 Set the time in the [RECORDING] menu → [REC FUNCTION] → [INTERVAL TIME].

3 Press the <REC> button.

- [I-REC] is displayed in red in the special recording function display of the camera image screen.
- The camera will repeat one frame recording at each set interval.
- To stop recording, press the <REC> or <STOP> button.
- Set the [RECORDING] menu → [REC FUNCTION] → [REC MODE] → [NORMAL] to clear the setting.
- Set whether to keep the settings after turning off the power in the [RECORDING] menu → [REC FUNCTION] → [REC MODE HOLD].

NOTE

- Audio is not recorded.
- Recorded data (data recorded until recording was stopped) is included in one clip.
- It will be fixed to recording run regardless of the <TCG> switch position when interval recording is enabled.
- The [RECORDING] menu → [TC/UB] → [DF/NDF] is fixed to [NDF].
- [SDI REC REMOTE] and [HDMI REC REMOTE] will not operate.
- If the length of the clip is less than three seconds when the recording is stopped, the image of the final frame will be recorded to make the length of the clip to three seconds.
- The recording is stopped once when the length of the clip exceeds ten hours in the interval recording. The recording is automatically resumed after few seconds.
- For recording limitations of the interval recording, refer to “Recording function that cannot be used simultaneously” (page 210).

Hot swap recording

Recording can span over two memory cards by inserting memory cards into the card slot 2 and the card slot 3.

Also, the memory card other than the one currently being recorded to can be swapped and recording can be continued on two or more memory cards.

Note, however, memory card recognition might slow down depending on the timing (immediately after pre-recording or before and after continuous recording across two card slots) that the memory card is inserted. When inserting a memory card, make sure that there is at least one minute of remaining recording capacity on the memory card to be recorded to.

NOTE

- Hot swap playback is not supported.
- Hot swap recording cannot be performed between card slot 1 and card slot 2 or 3.

Recording check function

- After recording ends, pressing the <RET> button on the lens automatically plays back the last few seconds of the latest clip. Check whether video has been recorded properly. After playback, the camera is again ready to start recording.
- The recording check function can be assigned to a USER button. Set in the [CAMERA] menu → [USER SW] → [USER1] to [USER5] → [REC CHECK].

REC check will not operate in following cases.

- When the power is turned on/off
- When restarted
- When the <THUMBNAIL> button is pressed
- When the memory card is inserted/ejected
- When formatted the memory card
- When the recording target card slot is switched by pressing the USER button assigned with [SLOT SEL]
- When switched to [CARD READER MODE]
- When set to the [RECORDING] menu → [2 SLOTS FUNC.] → [SIMUL REC]
- When either of the following settings are changed
 - [SYSTEM] menu → [FILE FORMAT]
 - [SYSTEM] menu → [REC FORMAT]
 - [RECORDING] menu → [2 SLOTS FUNC.]

NOTE

- Set to the [CAMERA] menu → [SW MODE] → [RET SW] → [REC CHECK].
- During recording check, playback image is output not only to the viewfinder but also to the video output terminals (<SDI OUT1> terminal, <SDI OUT2> terminal, and <HDMI> terminal). Note that, when a backup device is connected and a backup image is being recorded, the playback image currently under recording check will be recorded.

Selecting the resolution, codec, and frame rate for recording video

The resolution, codec, and frame rate of the recording video can be selected.

- [SYSTEM] menu → [FREQUENCY]: System frequency
- [SYSTEM] menu → [FILE FORMAT]: File format for recording
- [SYSTEM] menu → [REC FORMAT]: Signal format and codec mode for recording
- [SYSTEM] menu → [AUDIO SAMPLE RES.]: Number of bits of the audio to record (selectable if set to AVC-I100/AVC-I50)

When [FILE FORMAT] is set to [P2]

■ Video

Resolution	[FREQUENCY]	[REC FORMAT]
1920×1080	[59.94Hz]	[1080-59.94p/AVC-I100] [1080-59.94p/AVC-I422] [1080-59.94p/AVC-G25] [1080-59.94p/AVC-G12] [1080-59.94i/AVC-I200] [1080-59.94i/AVC-I100] [1080-59.94i/AVC-I50] [1080-59.94i/AVC-G50] [1080-59.94i/AVC-G25] [1080-59.94i/AVC-G12]
	[50.00Hz]	[1080-50.00p/AVC-I100] [1080-50.00p/AVC-I422] [1080-50.00p/AVC-G25] [1080-50.00p/AVC-G12] [1080-50.00i/AVC-I200] [1080-50.00i/AVC-I100] [1080-50.00i/AVC-I50] [1080-50.00i/AVC-G50] [1080-50.00i/AVC-G25] [1080-50.00i/AVC-G12]
1280×720	[59.94Hz]	[720-59.94p/AVC-I200] [720-59.94p/AVC-I100] [720-59.94p/AVC-I50] [720-59.94p/AVC-G50] [720-59.94p/AVC-G25] [720-59.94p/AVC-G12]
	[50.00Hz]	[720-50.00p/AVC-I200] [720-50.00p/AVC-I100] [720-50.00p/AVC-I50] [720-50.00p/AVC-G50] [720-50.00p/AVC-G25] [720-50.00p/AVC-G12]

■ Audio

Codec	Number of audio channels	Number of quantizing bits	Sampling frequency
LPCM	4ch	24 bit (anything other than AVC-G12) 16 bit (AVC-I100/AVC-I50/AVC-G12)	48 kHz

When [FILE FORMAT] is set to [MOV]

■ Video

Resolution	[FREQUENCY]	[REC FORMAT]
3840×2160	[59.94Hz]	[2160-59.94p/420LongGOP 150M] [2160-59.94p/HEVC LongGOP 200M] [2160-59.94p/HEVC LongGOP 100M] [2160-29.97p/420LongGOP 100M] [2160-29.97p/HEVC LongGOP 150M] [2160-29.97p/422LongGOP 150M] [2160-29.97p/422ALL-I 400M] [2160-23.98p/420LongGOP 100M] [2160-23.98p/HEVC LongGOP 150M] [2160-23.98p/422LongGOP 150M] [2160-23.98p/422ALL-I 400M]
	[50.00Hz]	[2160-50.00p/420LongGOP 150M] [2160-50.00p/HEVC LongGOP 200M] [2160-50.00p/HEVC LongGOP 100M] [2160-25.00p/420LongGOP 100M] [2160-25.00p/HEVC LongGOP 150M] [2160-25.00p/422LongGOP 150M] [2160-25.00p/422ALL-I 400M]

Chapter 5 Shooting — Special recording function

Resolution	[FREQUENCY]	[REC FORMAT]
1920×1080	[59.94Hz]	[1080-59.94p/422LongGOP 100M] [1080-59.94p/422ALL-I 200M] [1080-59.94i/422LongGOP 50M] [1080-59.94i/422ALL-I 100M] [1080-29.97p/422LongGOP 50M] [1080-29.97p/422ALL-I 100M] [1080-23.98p/422LongGOP 50M] [1080-23.98p/422ALL-I 100M]
	[50.00Hz]	[1080-50.00p/422LongGOP 100M] [1080-50.00p/422ALL-I 200M] [1080-50.00i/422LongGOP 50M] [1080-50.00i/422ALL-I 100M] [1080-25.00p/422LongGOP 50M] [1080-25.00p/422ALL-I 100M]

■ Audio

Codec	Number of audio channels	Number of quantizing bits	Sampling frequency
LPCM	4ch	24 bit	48 kHz

Selecting external reference signal and genlock setting

Locking the video signal to the external reference signal

The video signal output from the camera can be locked to the reference signal supplied from an external source.

The camera can receive external reference signal from the <GENLOCK IN> terminal.

Generator-locking to the reference signal supplied from the <GENLOCK IN> terminal

The HD-Y signal or a composite signal matching the system frame frequency is supplied to the <GENLOCK IN> terminal. To enable the reference signal input to the <GENLOCK IN> terminal, it must be set to the [OTHERS] menu → [GENLOCK] → [GENLOCK] → [GL IN].

Adjust the horizontal phase of the reference signal and output signal at [H PHASE COARSE] and [H PHASE FINE].

Reference signal

System frequency ([REC FORMAT])	Supported signals	
	Composite signal	HD-Y signal/tri-level SYNC signal
59.94i	480/59.94i	1080/59.94i
59.94p		
50.00i	576/50i	1080/50i
50.00p		
29.97p	480/59.94i	1080/59.94i
25.00p	576/50i	1080/50i
23.98p	—	1080/23.98PsF

Setting of time data

The camera provides time code, user bits, and date and time (real time) data as time data, and records in each frame synchronized with the video. The time data is also recorded as the clip meta data. A counter data is built in.

Definition of time data

■ Time code

<R-RUN> (recording run) and <F-RUN> (free run) can be switched by the <TCG> switch.

- **Recording run:** Advances only while recording. Recording is started with the value continuing from the last time code recorded previously.
- **Free run:** Advances regardless of the operation mode. It is advancing even when the power is turned off, so it can be treated equally as time. Time data can also be recorded to the time code input to the <TC IN/OUT> terminal using slave lock.

NOTE

- The recording run will not be a continuous value for following cases.
 - When recorded clips are deleted
 - When recording is interrupted due to a malfunction of [REC WARNING], etc. during recording.
- It will be fixed to free run when pre-recording is enabled.
- It will be fixed to recording run when the interval recording is enabled.

■ User bits

User bits are built-in. User bits are recorded in the clip. Also, it is output as LTC UB, VITC UB of the SDI signal.

The user setting value, time, date, time code, and frame rate information of shooting, and the clip name can be selected for recording.

The value at the time when the recording has started is recorded in the user bits of the clip meta data.

■ Counter

Displays counter value on the time code display area of the viewfinder/LCD monitor screen/display window when <DISPLAY> switch is set to <COUNTER>.

Counter value is displayed as “hour:minute:second.frame”.

In addition, press the <RESET> button while the counter value is displayed to reset the counter value.

Either of the following settings can be set in the [RECORDING] menu → [REC COUNTER].

- **[TOTAL]:** The count is continuously cumulated until it is reset by pressing the <RESET> button. The counter value will be maintained even if the memory card is replaced or the power is turned off.
- **[CLIP]:** Clears the counter value and starts counting from 0 each time recording starts. You can shoot while always checking the recording time of the clip currently recording.

■ Date/time (real time)

- The internal clock will be the reference for the measurement of the free run time code while the power is set to <⏻> (standby), time of the user bits, and date data. Also, it will be used for generating the reference meta data for the file generation time and file name when the clip is recorded.

For details, refer to “Setting the date/time of the internal clock” (page 47).

Setting user bits

Set the user bits to be recorded.

1 Select the user bits to record in the [RECORDING] menu → [TC/UB] → [UB MODE].

[FRAME RATE]	Selects the image information (such as frame rate) of the camera.
[USER]	Selects the set user bits.
[TIME]	Selects the local time. (hh, mm, ss)
[DATE]	Selects the local date and time. (YY, MM, DD, hh)
[TC]	Records the time code value as user bits.
[CLIP NAME]	Records the value that CAM INDEX (one character) and CARD COUNT (three-digit number) are converted to ASCII character code. Only enabled when the [SYSTEM] menu → [FILE FORMAT] → [MOV] is set.

Memory function of the user bits

Setting contents of the user bits is automatically recorded, and it is maintained even if the power is set to <⏻> (standby).

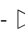
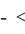
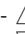

How to input user bits

By setting user bits, information such as memos (date, time) up to eight digits long (hexadecimal) can be recorded.

1 Set the <DISPLAY> switch to <UB>.

2 Set the <TCG> switch to <SET>.

3 Set the user bits by the cursor operation buttons.

- Screen display
 - : The digit to be set (flashing) moves to the right.
 - : The digit to be set (flashing) moves to the left.
 - : The value of the digit to set (flashing) is incremented by one.
 - : The value of the digit to set (flashing) is decremented by one.

4 Set the <TCG> switch to <F-RUN> or <R-RUN>.

5 Set to the [RECORDING] menu → [TC/UB] → [UB MODE] → [USER].

NOTE

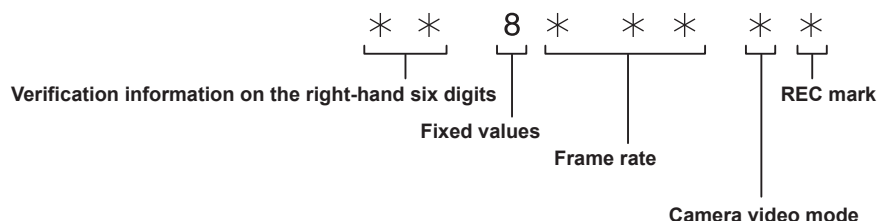
- Thumbnail operations and menu operations on thumbnail operation section are not possible while the <TCG> switch is set to <SET>.

Frame rate information recorded on user bits

Recording the frame rate values for the image information shot/recorded according to the frame rate set in the [SYSTEM] menu → [REC FORMAT] to user bits allows you to use on the editor (personal computer editing software).

Frame rate information

The relationship between frame rate, image pull-down, time code, and user bits is as follows.



■ Camera video mode

The display of the camera video mode differs depending on the setting of following menus.

[FREQUENCY]	Recording frame frequency of [REC FORMAT]	Display of frame rate	Display of camera video mode
[59.94Hz]	23.98p	024	C
	29.97p	030	8
	59.94p	060	8
	59.94i	060	0
[50.00Hz]	25.00p	025	A
	50.00p	050	A
	50.00i	050	2

Setting time code

1 Set the <DISPLAY> switch to <TC>.

2 Set the <TCG> switch to <SET>.

3 Set to the [RECORDING] menu → [TC/UB] → [DF/NDF].

- Set [DF] to advance the time code in the drop frame mode, and set [NDF] to advance it in the non-drop frame mode. However, note that the time code runs by [NDF] at all times in the 23.98p mode.

4 Set the time code by the cursor operation buttons.

- Screen display
 - ▷: The digit to be set (flashing) moves to the right.
 - ◁: The digit to be set (flashing) moves to the left.
 - △: The value of the digit to set (flashing) is incremented by one.
 - ▽: The value to set (flashing) is decremented by one.

5 Switch by the <TCG> switch.

To advance the time code by free run, switch to <F-RUN>, and to advance by recording run, switch to <R-RUN>.

■ Setting range of time code

The range of the time code that can be set differs depending on the recording frame frequency of [REC FORMAT].

[FREQUENCY]	Recording frame frequency of [REC FORMAT]	Range of the time code that can be set
[59.94Hz]	59.94p, 29.97p, 59.94i	00:00:00:00 - 23:59:59:29
	23.98p	00:00:00:00 - 23:59:59:23
[50.00Hz]	50.00p, 25.00p, 50.00i	00:00:00:00 - 23:59:59:24

NOTE

- Set the number of frames with a value that is a multiple of four when the recording frame frequency of [REC FORMAT] is set to 23.98p. The time code to record will shift with any other value.
- Thumbnail operations and menu operations on thumbnail operation section are not possible while the <TCG> switch is set to <SET>.

Time code function during battery replacement

The operation of the time code generator will continue by the backup mechanism functioning even when replacing the battery.

The time code of the free run may shift when any item in the [SYSTEM] menu → [FREQUENCY]/[FILE FORMAT]/[REC FORMAT] is changed. Set the power to < | > (ON) again, confirm the time code, and set it again if necessary.

NOTE

- When the power switch has been switched to < | > (ON) → < ⏻ > (standby) → < | > (ON), the backup accuracy of the time code in the free run mode is approximately ± 2 frames.

Externally locking the time code

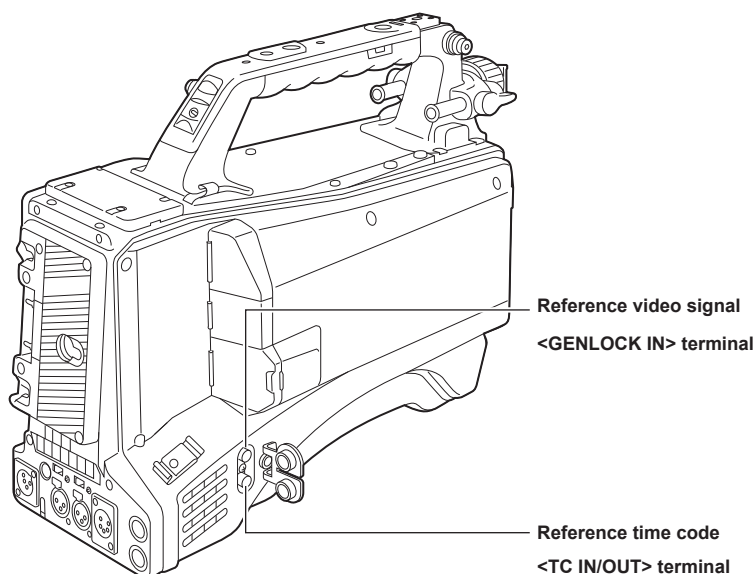
The internal time code generator of the camera can be locked to an external time code generator. In addition, the time code generator of an external equipment can be locked to the internal time code generator of the camera.

Example of connections for external locking

As shown in the figure, connect both the reference video signal and the reference time code.

For details on reference signal and genlock, refer to “Selecting external reference signal and genlock setting” (page 138).

■ When locking onto an external signal



External lock operation procedure

To externally lock the time code, follow the steps below.

- 1 Set the <TCG> switch to <F-RUN>.
- 2 Set the <DISPLAY> switch to <TC>.
- 3 Set to the [OTHERS] menu → [GENLOCK] → [GENLOCK] → [GL IN].
- 4 Set to the [RECORDING] menu → [TC/UB] → [TC IN/OUT SEL] → [TC IN].
- 5 Input a reference time code and reference video signal that are in a phase relationship (that conforms to time code specifications) to the <TC IN/OUT> and <GENLOCK IN> terminals.

The built-in time code generator is locked to the reference time code. When approximately ten seconds has elapsed after locking, the externally locked status will be held even if the reference time code from the external device is disconnected.

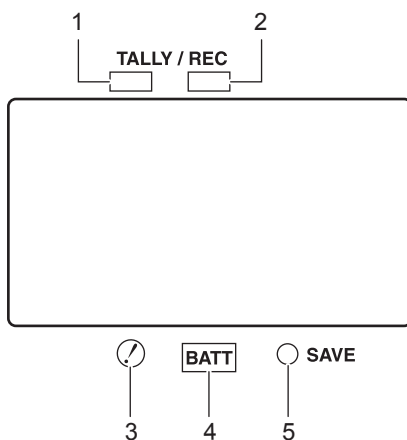
- When the input reference signal of genlock is disrupted, recording cannot be performed normally. [TEMPORARY PAUSE]/[IRREGULAR SIG] is displayed in the viewfinder screen, and the clip is divided. The continuity of the time code is not guaranteed. Recording will be resumed when the signal returns to normal.
- When the time code is externally locked, the time code is instantaneously locked to the external time code, the same value as the value of the external time code is displayed on the counter display area. Do not start recording for several seconds until the sync generator has stabilized. Furthermore, lock the time code to the <TC IN/OUT> terminal signal.
- When externally locking in 23.98p mode, be sure to input non-drop frame time codes. An external lock is not possible using drop frames. When the external lock is activated, images may look corrupted. However, this is an operation to match the 5-frame cycle so it is not a malfunction.
- When set to the [RECORDING] menu → [PRE REC] → [ON], disrupted images or stopped time codes may be recorded if the time code is slave locked by entering an external time code to the <TC IN/OUT> terminal right before recording.

Display of the viewfinder status

In addition to video, the viewfinder displays messages that indicate the camera settings and operation status, a center marker, safety zone marker, zebra patterns, and other information.

Lamp display in the viewfinder

The example is for the AJ-CVF50G. (For information on the viewfinder, refer to the Operating Instructions for the optional viewfinder.)



1 Green tally lamp

Lights up green if a green tally signal is received from the Camera Control Unit.

2 TALLY/REC (recording) lamp

Illuminated in red during recording, and flashes if an abnormality occurs.

For details, refer to “Warning system” (page 205).

3 [!] lamp

[!] lamp of the viewfinder illuminates when the items set to [ON] in the [VIDEO OUT/LCD/MF] menu → [!LED] are enabled.

4 BATT (battery) lamp

Starts flashing few minutes before the battery voltage drops and the battery charge runs out.

It is illuminated after the battery is completely flat.

To prevent operation from being interrupted, replace the battery before it is nearly flat.

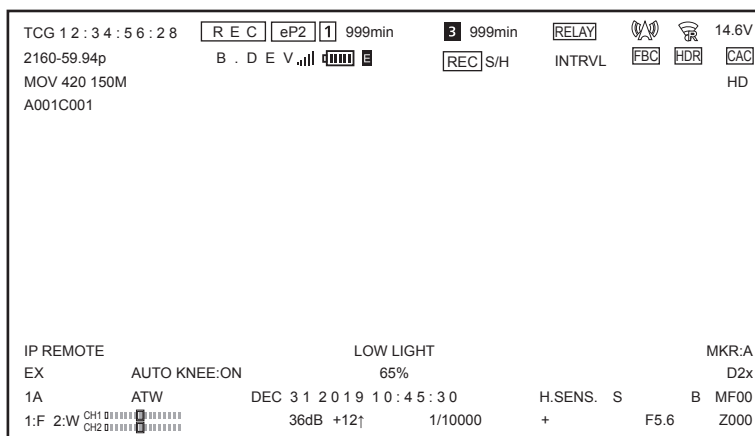
For details, refer to “Warning system” (page 205).

5 SAVE lamp

The lamp is always out.

Configuration of status display on viewfinder screen

The screen displayed in normal status is displayed as shown below.



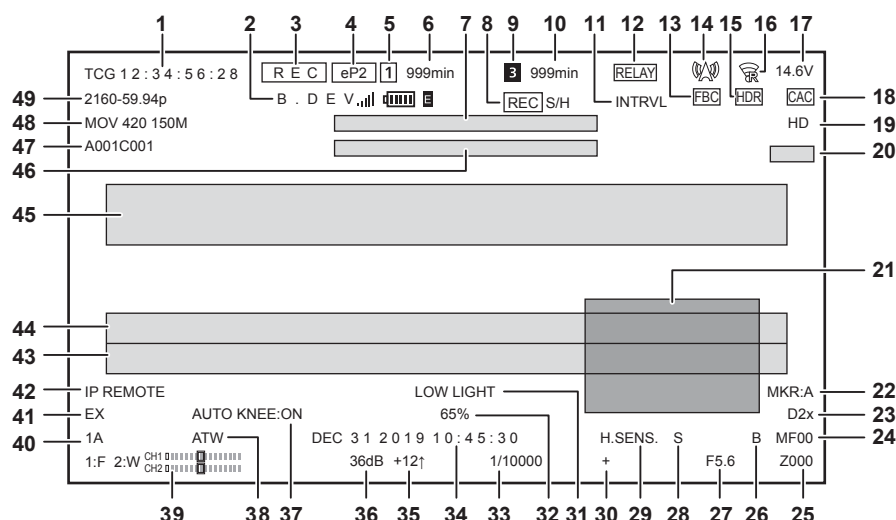
Selecting display items on viewfinder screen

The items to display in the output image can be selected.

For details on each items, refer to [INDICATOR] (page 87).

1 Set display of each item in the [VIDEO OUT/LCD/MF] menu → [INDICATOR].

Screen display during shooting

**1 Time code/User bits/Counter data**

Displays the time data selected with the <DISPLAY> switch.

- **[TCG **:**:**:**:**]**: Displays the time code. [TCR **:**:**:**:**] will be displayed during playback. [TCG] is displayed with black and white inverted during the slave lock into the external input time code.
- **[UBG ** ** * **]**: Displays the user bits. [UBR ** ** * **] will be displayed during playback.
- **[CLP **:**:**:**:**]**: Displays the counter value of each clip. This is displayed when the [RECORDING] menu → [REC COUNTER] → [CLIP] is set. Displays the counter value of the clip being played back during playback.
- **[**:**:**:**:**]**: Displays the cumulative counter value from the reset position. This is displayed when the [RECORDING] menu → [REC COUNTER] → [TOTAL] is set.

2 Bonding Device Status

Displays the device status received from the bonding device with up to first five letters and the following symbol.

- **.||||**: The signal reception strength of the bonding device is displayed in 6 levels.
- **|||||**: The remaining battery of the bonding device is displayed in 6 levels.
- **■**: Displayed when there is an error in the bonding device.
- **(No display)**: Bonding device is not connected.

3 Recording status

- **[REC]**: Recording.
- **[REC] (Flashing)**: Processing to stop the recording.
- **[P]**: Recording is stopped with pre-recording is enabled.
- **(No display)**: It is in one of the following conditions.
 - Recording is stopped with pre-recording is disabled.
 - It is set to the [NETWORK] menu → [NETWORK FUNC] → [NDI|HX].

4 Recording media

Setting status of the [RECORDING] menu → [REC MEDIA] is displayed.

- **[eP2]**: Displays when set to the [RECORDING] menu → [REC MEDIA] → [expressP2].
- **[mP2]**: Displays when set to the [RECORDING] menu → [REC MEDIA] → [microP2/SD].
- **(No display)**: Set to the [NETWORK] menu → [NETWORK FUNC] → [NDI|HX].

5 Status of the card slot 1 or 2

Displays status of the card slot 1 when the [RECORDING] menu → [REC MEDIA] → [expressP2] is set.

Displays status of the card slot 2 when the [RECORDING] menu → [REC MEDIA] → [microP2/SD] is set.

The status are as follows:

- **■**: Not target for recording.
- **■ (flashing)**: Recognizing the memory card.
- **□**: Recording target.
- **(No display)**: It is in one of the following conditions.
 - A memory card has not been inserted.
 - The memory card cannot be recognized.
 - It is set to the [NETWORK] menu → [NETWORK FUNC] → [NDI|HX].

6 Remaining capacity and status of the memory card in card slot 1 or 2







Displays the remaining capacity and status of the memory card in card slot 1 or 2.

- **[0min]...[999min]**: Displays remaining capacity of the memory card. Remaining capacity of 999 minutes or more is displayed as [999min].
 - The display will flash when the remaining capacity of the memory card becomes two minutes or less.
 - The remaining capacity of the memory card available for simultaneous recording (remaining capacity for the memory card of the two memory cards with less remaining capacity) is displayed when simultaneous recording is performed.
- **[WP]**: It is write protected. The write-protected switch on the memory card is set to the Protect side or the LOCK side.
- **[END]**: Memory card has no remaining capacity.
- **[ERR]**: Memory card that cannot record is inserted. Displayed when the card is recognized but cannot be used, such as having a format error, or not being a memory card.

- **[ISDXC]:** Recording format is set to MOV but SDXC memory card, expressP2 card, or 64 GB microP2 card is not inserted.
 - **(No display):** It is in one of the following conditions.
 - A memory card has not been inserted.
 - The memory card cannot be recognized.
 - It is set to the [NETWORK] menu → [NETWORK FUNC] → [NDI|HX].
- 7 Message display area for wireless audio warning and cooling fan stop**
 Displays a warning when the wireless audio reception status becomes poor.
 Displays a message when the cooling fan has stopped.
- 8 SDI/HDMI remote control status**
 Displays the control status of the recording start and recording stop on the external equipment connected to the <SDI OUT1>/<SDI OUT2>/<HDMI> terminals.
- **[REC S/H]:** Recording instruction is output to the output from the <SDI OUT1>/<SDI OUT2>/<HDMI> terminals.
 - **[S/H]:** Pause instruction is output to the output from the <SDI OUT1>/<SDI OUT2>/<HDMI> terminals.
 - **[REC SDI]:** Recording instruction is output to the output from the <SDI OUT1>/<SDI OUT2> terminals.
 - **[SDI]:** Pause instruction is output to the output from the <SDI OUT1>/<SDI OUT2> terminals.
 - **[REC HDMI]:** Recording instruction is output to the output from the <HDMI> terminal.
 - **[HDMI]:** Pause instruction is output to the output from the <HDMI> terminal.
- 9 Status of card slot 3**
 It is not displayed when set to the [RECORDING] menu → [REC MEDIA] → [expressP2].
- **[RE]:** Not target for recording.
 - **[RE] (flashing):** Recognizing the memory card.
 - **[RE]:** Recording target.
 - **(No display):** It is in one of the following conditions.
 - A memory card has not been inserted.
 - The memory card cannot be recognized.
 - The [NETWORK] menu → [NETWORK FUNC] → [NDI|HX] is set.
- 10 Remaining capacity and status of the memory card in card slot 3**
 Displays the remaining capacity and status of the memory card in card slot 3.
 It is not displayed when set to the [RECORDING] menu → [REC MEDIA] → [expressP2].
- **[0min]...[999min]:** Displays remaining capacity of the memory card. Remaining capacity of 999 minutes or more is displayed as [999min].
 - The display will flash when the remaining capacity of the memory card becomes two minutes or less.
 - The remaining capacity of the memory card available for simultaneous recording (remaining capacity for the memory card of the two memory cards with less remaining capacity) is displayed when simultaneous recording is performed.
 - **[WP]:** It is write protected. The write-protected switch of the memory card is set to the LOCK side.
 - **[END]:** Memory card has no remaining capacity.
 - **[ERR]:** Memory card that cannot record is inserted. Displayed when the card is recognized but cannot be used, such as having a format error, or not being a memory card.
 - **[ISDXC]:** Recording format is set to MOV but SDXC memory card or 64 GB microP2 card is not inserted.
 - **(No display):** It is in one of the following conditions.
 - A memory card has not been inserted.
 - The memory card cannot be recognized.
 - It is set to the [NETWORK] menu → [NETWORK FUNC] → [NDI|HX].
- 11 Special recording function**
 Displays the status of special recording function.
- **[INTRVL]:** Interval recording is enabled.
 - **[I-REC]:** During interval recording or recording is paused.
 - **(No display):** It is in one of the following conditions.
 - Interval recording is disabled.
 - It is set to the [NETWORK] menu → [NETWORK FUNC] → [NDI|HX].
- 12 Two-slot function**
 Displays the setting status of the recording function using two card slots.
 It is displayed with a slanted line if it is in a condition that cannot perform two-slot function even if each function is enabled.
- **[RELAY]:** Relay recording is enabled.
 - **[SIMUL]:** Simultaneous recording is enabled.
 - **[NDI|HX]:** It is set to the [NETWORK] menu → [NETWORK FUNC] → [NDI|HX].
 - **(No display):** In standard recording status.
- 13 Flash band compensation function**
- **[FBC]:** Flash band compensation function is enabled.
- 14 Streaming status**
 Displays the streaming status.
- **[Streaming icon]:** The camera is connected to a device to receive the streaming video, and the streaming video is distributed.
 - **[Streaming icon] (flashing):** When the camera is trying to connect to a device to receive the streaming video
 - **[Streaming icon]:** Streaming video is not being streamed.
 - **[Streaming icon with error]:** There is an error in the streaming function and cannot operate.
 - **(No display):** Streaming function is disabled
- 15 High dynamic range function/dynamic range stretcher function**
- **[HDR]:** It is set to the [SCENE FILE] menu → [GAMMA MODE SEL] → [HLG].
 - **[DRS]:** Dynamic range stretcher function is enabled.

16 Connection status of the wireless LAN/wired LAN

Displays the connection status of the wireless LAN or wired LAN.

- : Set to wireless LAN and not connected to the ROP app.
- : Set to wireless LAN and connected to the ROP app.
- : Set to wireless LAN but the wireless LAN is not operating properly.
- : Set to wired LAN and not connected to the ROP app.
- : Set to wired LAN and connected to the ROP app.
- : Set to wired LAN but the wired LAN is not operating properly.
- **(No display)**: Both the wireless LAN and the wired LAN are disabled.

17 Remaining battery level

- **[**.*V]**: Displays the charge level of batteries with no charge level information in 0.1 V units. The display will flash when the remaining charge is at the near end setting value or below.
- **[***%]**: Displays the charge level of batteries with charge level information in %. The display will flash when the remaining charge is at the near end setting value or below.
- **[EMP]**: Displayed when there is no charge level on batteries with charge level information or the level is at the near end setting value or below.
- **[MAX]**: Displayed when batteries with charge level information are fully charged.

18 Chromatic aberration compensation function

- **[CAC]**: Chromatic aberration compensation function is enabled.

19 Gamma mode

Setting value for the gamma mode selected in the [SCENE FILE] menu → [GAMMA MODE SEL] is displayed.

- [HD]
- [SD]
- [FLK1]
- [FLK2]
- [FLK3]
- [FREC]
- [VREC]
- [HLG]

20 Scene file name

Name of the scene file selected in the [SCENE FILE] menu → [FILE SELECT] is displayed.

21 Waveform monitor

Displays the video status in waveform or vector.

Displayed only on the LCD monitor and the viewfinder.

22 Type of marker

Displays the type of currently displayed marker in the STATUS screen of the mode check.

[MKR:A]: Displays the marker type [A].

[MKR:B]: Displays the marker type [B].

[MKR:OFF]: Marker is not displayed.

23 Digital zoom

Displays the digital zoom ratio.

- **[D2×]**: Two times
- **[D3×]**: Three times
- **[D4×]**: Four times

24 Focus

Displays the focus value.

The display of the focus value follows the setting in the [VIDEO OUT/LCD/VF] menu → [INDICATOR] → [ZOOM/FOCUS].

- **[MF**]**: Displays in the position value from [00] to [99] when set to the [VIDEO OUT/LCD/VF] menu → [INDICATOR] → [ZOOM/FOCUS] → [NUMBER].
- **[MF***ft]**: Displays in feet unit when set to the [VIDEO OUT/LCD/VF] menu → [INDICATOR] → [ZOOM/FOCUS] → [mm/feet].
- **[MF***m]**: Displays in meter unit when set to the [VIDEO OUT/LCD/VF] menu → [INDICATOR] → [ZOOM/FOCUS] → [mm/m].
- **(No display)**: Focus value cannot be acquired.

25 Zoom

Displays the zoom value.

The display of the zoom value follows the setting in the [VIDEO OUT/LCD/VF] menu → [INDICATOR] → [ZOOM/FOCUS].

- **[Z***]**: Displays in the position value from [000] to [999] when set to the [VIDEO OUT/LCD/VF] menu → [INDICATOR] → [ZOOM/FOCUS] → [NUMBER].
- **[Z**.*]**: Displays in millimeter unit when set to the [VIDEO OUT/LCD/VF] menu → [INDICATOR] → [ZOOM/FOCUS] → [mm/feet] or [mm/m].
- **(No display)**: Zoom value cannot be acquired.

26 Super black

- **[B]**: Displayed when the super black function is enabled.

27 Iris

Displays the F value.

Displayed when a lens with an F value display function is used.


Flashes when changing the setting value of the iris override function.

- **[F***]**: Displays the F value of the lens.
- **[OPEN]**: Displayed when the lens aperture is open.
- **[CLOSE]**: Displayed when the lens aperture is closed.

- **[NC]**: Displayed when the lens cable is not connected.
- 28 Super iris**
- **[S]**: Displayed when the super iris function is enabled.
- 29 High-sensitivity mode**
- **[H.SENS.]**: Displayed when set to the [SYSTEM] menu → [SHOOTING MODE] → [HIGH SENS.].
- 30 Iris override**
- Displays the compensation level when the iris override function is enabled.
Flashes when changing the compensation level.
- **[+]**: Aperture opens by about 0.5.
 - **[++]**: Aperture opens by about 1.
 - **[-]**: Aperture closes by about 0.5.
 - **[--]**: Aperture closes by about 1.
 - **(No display)**: It is in one of the following conditions.
 - Iris is a reference value.
 - Iris override function is disabled.
- 31 Luminance drop message display**
- Displayed when luminance has dropped.
- 32 Luminance of Y GET**
- Displays the luminance level when the Y GET function is enabled.
- 33 Shutter speed**
- **[1/****]**: Displays the shutter speed.
 - **[▶ 1/*****]**: Displays the shutter speed in time (minutes) when synchro scan function is enable and the [SCENE FILE] menu → [SYNC SCAN TYPE] → [sec] is set.
 - **[▶ *****d]**: Displays the shutter speed in open angle when synchro scan function is enable and the [SCENE FILE] menu → [SYNC SCAN TYPE] → [deg] is set.
 - **[HALF]**: Displays when the [CAMERA] menu → [SHUTTER SPEED] → [POSITION1] to [POSITION6] → [HALF] is set and the position is selected.
 - **(No display)**: Electronic shutter function is disabled.
- 34 Date and time information**
- Displays the date and time information.
The content displayed follows the setting in the [VIDEO OUT/LCD/VF] menu → [INDICATOR] → [DATE/TIME]. (page 89)
The display order for the year, month, and date follows the setting in the [OTHERS] menu → [CLOCK] → [DATE FORMAT].
- **[Y-M-D]**: Displays in yyyy mmm dd hh:mm:ss format.
 - **[M-D-Y]**: Displays in mmm dd yyyy hh:mm:ss format.
 - **[D-M-Y]**: Displays in dd mmm yyyy hh:mm:ss format.
 - **mmm**: Month (JAN (January), FEB (February), MAR (March), APR (April), MAY (May), JUN (June), JUL (July), AUG (August), SEP (September), OCT (October), NOV (November), DEC (December))
 - **dd**: Date
 - **yyyy**: Year
 - **hh**: Hour
 - **mm**: Minute
 - **ss**: Second
- 35 Digital super gain**
- Displays the digital super gain value when the digital super gain function is enabled.
- 36 Gain**
- Displays the gain value.
- **[**dB]**: Displays the current gain value.
 - **[AGC]**: Displayed when the auto gain control is enabled.
- 37 Auto knee**
- **[AUTO KNEE:ON]**: Auto knee function is enabled.
 - **[AUTO KNEE:OFF]**: Auto knee function is disabled.
- 38 Color temperature**
- Displays the position and color temperature selected with the <WHITE BAL> switch.
- **[ATW]**: Displayed when the auto tracking white balance is operating.
 - **[LOCK]**: Displayed when the auto tracking white balance is locked.
 - **[A*****K]**: The <WHITE BAL> switch is set to memory <A>.
 - **[B*****K]**: The <WHITE BAL> switch is set to memory .
 - **[P*****K]**: The <WHITE BAL> switch is set to <PRST>.
- 39 Audio level meter**
- Displays the status of audio input setting and recording level.
Audio channel to display can be changed using the audio channel selector switch.
- **[1:* 2:*]**: Displayed when the audio channel selector switch is set to <CH1/2>.
 - Audio input setting for audio channel 1 and audio channel 2 are displayed in *.
 - F is displayed when the <AUDIO IN CH1>/<AUDIO IN CH2> switch is set to <FRONT>. W is displayed when the <AUDIO IN CH1>/<AUDIO IN CH2> switch is set to <W.L.>. R is displayed when the <AUDIO IN CH1>/<AUDIO IN CH2> switch is set to <REAR>.
 - **[3:* 4:*]**: Displayed when the audio channel selector switch is set to <CH3/4>.
 - Audio input setting for audio channel 3 and audio channel 4 are displayed in *.

F is displayed when the <AUDIO IN CH3>/<AUDIO IN CH4> switch is set to <FRONT>. W is displayed when the <AUDIO IN CH3>/<AUDIO IN CH4> switch is set to <W.L.>. R is displayed when the <AUDIO IN CH3>/<AUDIO IN CH4> switch is set to <REAR>.

A white frame is displayed at the position of the reference level set in the [AUDIO] menu → [REC CH SETTINGS] → [HEAD ROOM]. (Eighth from the left when set to [20dB], ninth from the left when set to [18dB])

- : Displayed when audio cannot be recorded.

40 Filter position

Displays the <ND FILTER> dial position with numbers 1 to 4 and <CC FILTER> dial position with alphabet A to D. [-] will flash by inverting black and white when the filter position is not set correctly.

41 Extender

- [EX]: Displayed when the lens extender function is functioning.

42 Remote control status in an IP connection

- [IP REMOTE]: Displayed when the remote control is possible in the IP connection.
- [IP REMOTE] (flashing): Displayed when waiting for the connection in the IP connection.
- (No display): Remote control function in an IP connection is disabled.

43 Error display of auto black balance

Displays the status when the adjustment result of the auto black balance was abnormal.

44 Error display of auto white balance

Displays the status when the adjustment result of the auto white balance was abnormal.

45 Message display area

Displayed when there is a message or warning about the camera status.

46 Message for invalid filter position

Message is displayed when power is turned on if the <ND FILTER>/<CC FILTER> dial is not set correctly. Message is displayed when performing the auto white balance if the <CC FILTER> dial is not set correctly.

47 Clip name

Displays the name of the clip being recorded with up to eight characters from the start.

48 Recording format

Displays the file format set in the [SYSTEM] menu → [FILE FORMAT] and the recording codec set in the [SYSTEM] menu → [REC FORMAT]. It is not displayed when set to the [NETWORK] menu → [NETWORK FUNC] → [NDI|HX].

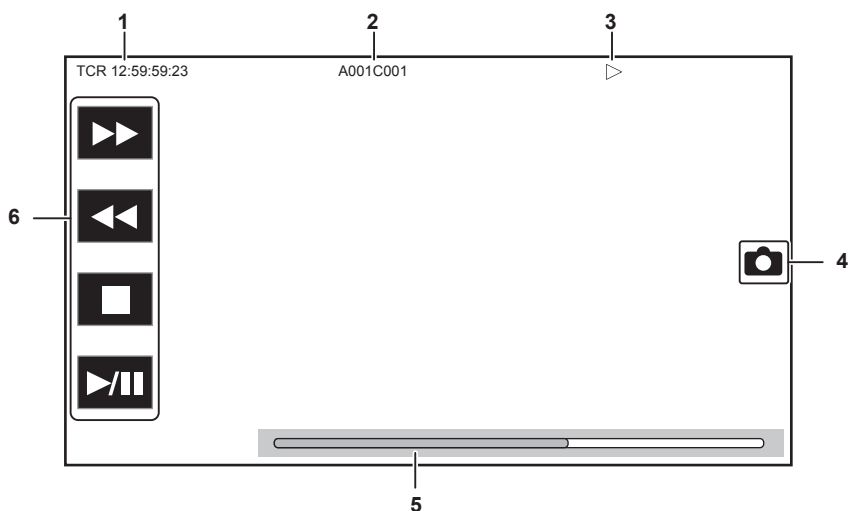
- [P2 AVC-I200]
- [P2 AVC-I100]
- [P2 AVC-I50]
- [P2 AVC-I422]
- [P2 AVC-G50]
- [P2 AVC-G25]
- [P2 AVC-G12]
- [MOV 420 150M]
- [MOV 420 100M]
- [MOV 422 150M]
- [MOV 422 100M]
- [MOV 422 50M]
- [MOV HEVC 200M]
- [MOV HEVC 150M]
- [MOV HEVC 100M]
- [MOV ALL-I 400M]
- [MOV ALL-I 200M]
- [MOV ALL-I 100M]

49 System resolution/system frequency

Displays the system resolution and the system frequency set in the [SYSTEM] menu → [REC FORMAT].

- [2160-59.94p]
- [2160-50.00p]
- [2160-29.97p]
- [2160-25.00p]
- [2160-23.98p]
- [1080-59.94p]
- [1080-50.00p]
- [1080-29.97p]
- [1080-25.00p]
- [1080-23.98p]
- [1080-59.94i]
- [1080-50.00i]
- [720-59.94p]
- [720-50.00p]

Screen display during playback

**1 Time code display**

Displays the time data selected with the <DISPLAY> switch.

- [TCR **:**:**:**:]: Displays the time code.
- [UBR ** * * * *]: Displays the user bits.
- [CLP **:**:**:**:]: Displays the counter value of the clip being played back.

2 Clip name

Displays the name of the clip being played back with up to eight characters from the start.

3 Playback status

Displays the status of playback.

Displays only during playback.

- ■: Stop
- ►: Playback
- ■■: Pause
- ◀: Starting playback position
- ▶: Ending playback position
- ►►: Fast-forward playback (10x speed)
- ►►►: Fast-forward playback (20x speed)
- ◀◀: Fast-reverse playback (10x speed)
- ◀◀◀: Fast-reverse playback (20x speed)
- ►: Slow playback/frame-by-frame
- ◀: Reverse slow playback/frame-by-frame rewind

4 Still picture recording icon

Touching the icon while playing back or while paused records the scene as a still picture.

5 Direct playback bar

Displays the general position that is being played back.

6 Playback navigation icon

Operates by touching the icon.

- ►►►: Fast-forward playback
- ◀◀◀: Fast-reverse playback
- ■: Stop
- ►■: Playback/pause

Checking and displaying shooting status

Setting and status of each function is always displayed in the camera image screen but they can be set to be displayed only when required.

Most of the set values and status will not be displayed when the [VIDEO OUT/LCD/VF] menu → [INDICATOR] → [INDICATOR SW] → [OFF] is selected.

When there is a need to confirm, push the <MARKER SEL>/<MODE CHECK> towards the <MCK> side while the camera image screen is displayed to display the STATUS screen of the mode check which show the shooting status.

For details about each item that can be displayed in the mode check, refer to “Mode check display” (page 150).

The following table indicates each item to display/hide in each screen.

- “✓” indicates displaying and “—” indicates hiding.
- You can select to display or hide each item in the [VIDEO OUT/LCD/VF] menu → [INDICATOR].

Confirm the display position during playback with the corresponding numbers in “Screen display during shooting” (page 143)

Chapter 5 Shooting — Display of the viewfinder status

No	Display item name	Menu item and selection of display/hide		Switching display/hide in the normal screen		Playback screen	STATUS
				[INDICATOR SW]			
				[ON]	[OFF]		
1	Time code/User bits/Counter data	[TC]	✓	✓	—	✓*1	✓
2	Bonding Device Status	[BONDING DEVICE]	✓	✓	—	—	✓
3	Recording status	[REC STATUS]	✓	✓	✓*2	—	✓
4	Recording media	[REC MEDIA]	✓	✓	—	—	✓
5	Status of the card slot 1 or 2*3	[SLOT STATUS]	✓	✓	—*4	—	✓
6	Remaining capacity and status of the memory card in card slot 1 or 2*3	[SLOT STATUS]	✓	✓	—*4	—	✓
7	Message display area for wireless audio warning and cooling fan stop	[AUDIO] menu → [INPUT SETTINGS] → [WIRELESS WARN]	✓	✓	✓	—	✓
		Fan stop message	—	✓	✓	✓	✓
8	SDI/HDMI remote control status	[REC REMOTE]	✓	✓	—	—	✓
9	Status of card slot 3	[SLOT STATUS]	✓	✓	—*4	—	✓
10	Remaining capacity and status of the memory card in card slot 3	[SLOT STATUS]	✓	✓	—*4	—	✓
11	Special recording function	[REC MODE]	✓	✓	—	—	✓
12	Two-slot function	[2 SLOTS FUNC.]	✓	✓	—	—	✓
	[NDI][HX]	—	—	—	—	—	—
	Playback status	[PLAYBACK STATUS]	✓	—	—	✓*1	—
13	Flash band compensation function	[FBC]	✓	✓	—	—	✓
14	Streaming status	[STREAMING]	✓	✓	—	—	✓
15	High dynamic range function/dynamic range stretcher function	[HDR/DRS]	✓	✓	—	—	✓
16	Connection status of the wireless LAN/wired LAN	[NETWORK]	✓	✓	—	—	✓
17	Remaining battery level	[BATTERY REMAIN]	✓	✓	—*4	—	✓
18	Chromatic aberration compensation function	[CAC]	✓	✓	—	—	✓
19	Gamma mode	[GAMMA MODE]	✓	✓	—	—	✓
20	Scene file name	[SCENE FILE]	✓	✓	—	—	✓
21	Waveform monitor	Changing by USER switch	—	✓	✓	—	—
22	Type of marker	—	—	—	—	—	✓
23	Digital zoom	[D.ZOOM]	✓	✓	—	—	✓
24	Focus	[ZOOM/FOCUS]	✓	✓	—	—	✓
25	Zoom	[ZOOM/FOCUS]	✓	✓	—	—	✓
26	Super black	[IRIS]	✓	✓	—	—	✓
27	Iris	[IRIS]	✓	✓	—*5	—	✓
28	Super iris	[IRIS]	✓	✓	—	—	✓
29	High-sensitivity mode	[SHOOTING MODE]	✓	✓	—	—	✓
30	Iris override	[IRIS]	✓	✓	—*5	—	✓
31	Luminance drop message display	—	—	✓	✓	—	✓
32	Luminance of Y GET	—	—	✓	✓	—	✓
33	Shutter speed	[SHUTTER]	✓	✓	—	—	✓
34	Date and time information	[DATE/TIME]	✓	✓	—	—	✓
35	Digital super gain	[GAIN]	✓	✓	—	—	✓
36	Gain	[GAIN]	✓	✓	—	—	✓
37	Auto knee	—	—	—	—	—	✓
38	Color temperature	[WHITE BALANCE]	✓	✓	—*6	—	✓
39	Audio level meter	[AUDIO LEVEL METER]	✓	✓	—	—	✓
40	Filter position	[FILTER]	✓	✓	—	—	✓
41	Extender	[EXTENDER]	✓	✓	—	—	✓
42	Remote control status in an IP connection	—	—	—	—	—	✓
43	Error display of auto black balance	—	—	—	—	—	✓

No	Display item name	Menu item and selection of display/hide		Switching display/hide in the normal screen		Playback screen	STATUS
				[INDICATOR SW]			
				[ON]	[OFF]		
44	Error display of auto white balance	—	—	—	—	—	✓
45	Message display area	—	—	✓	✓	✓	✓
46	Message for invalid filter position	—	—	✓	✓	—	✓
47	Clip name	[CLIP NAME]	✓	✓	—	✓ ^{*1*}	✓
48	Recording format	[REC FORMAT]	✓	✓	—	—	✓
49	System resolution/system frequency	[REC FORMAT]	✓	✓	—	—	✓

*1 Not displayed when the [VIDEO OUT/LCD/VF] menu → [INDICATOR] → [INDICATOR SW] → [OFF] is selected.

*2 Only [REC] is displayed.

*3 Status of the card slot 1 is displayed when the [RECORDING] menu → [REC MEDIA] is set to [expressP2], and the status of the card slot 2 is displayed when set to [microP2/SD].

*4 Displayed when the remaining capacity of the memory card or remaining battery level gets low.

*5 Displayed when the setting value of the iris override function is changed.

*6 Displayed when the color temperature is changed with color temperature change function.

*7 The display position differs in the playback screen. For details, refer to “Screen display during playback” (page 148).

Mode check display

The camera settings and status can be displayed on the viewfinder or LCD monitor screen for check.

Mode check STATUS screen is displayed when the <MARKER SEL>/<MODE CHECK> switch is pushed towards the <MCK> side when camera image screen is displayed.

Every time the <MARKER SEL>/<MODE CHECK> switch is pressed to the <MCK> side, display is switched in the order of STATUS screen, ILED screen, FUNCTION screen, AUDIO screen, CAC screen, SWITCH screen, NETWORK screen, and camera image screen.

Each screen of the mode check is displayed for approximately five seconds.

The screen does not switch while the <MARKER SEL>/<MODE CHECK> button is being pressed to the <MCK> side.

Press the <EXIT> button while each screen is displayed to return to the camera image screen.

[ON]/[OFF] display in each screen can be selected in the [VIDEO OUT/LCD/VF] menu → [MODE CHECK INDICATOR].

For details on STATUS screen displays, refer to “Checking and displaying shooting status” (page 148).

ILED screen

Displays the items to cause the [!] lamp of the viewfinder to illuminate.

• [!] is displayed for items set to [ON] in the [VIDEO OUT/LCD/VF] menu → [ILED].

• [!] is displayed with black and white inverted when an item, to which [ON] is set in the [VIDEO OUT/LCD/VF] menu → [ILED], is cause of [!] lamp to be illuminated.

[GAIN(0dB)]	Displays the gain status. [AGC] is displayed when the [CAMERA] menu → [AGC] → [AGC] → [ON] is set.
[DS.GAIN]	Displays the digital super gain value.
[SHUTTER]	Displays the shutter status. • [1/*****] : Displays the shutter speed. • [▶1/*****] : Displays the shutter speed in time (minutes) when synchro scan function is enable and the [SCENE FILE] menu → [SYNC SCAN TYPE] → [sec] is set. • [▶*****d] : Displays the shutter speed in open angle when synchro scan function is enable and the [SCENE FILE] menu → [SYNC SCAN TYPE] → [deg] is set. • [HALF] : Displays when the [CAMERA] menu → [SHUTTER SPEED] → [POSITION1] to [POSITION6] → [HALF] is set and the position is selected. • [OFF] : Shutter function is disabled.
[WHITE PRE.]	Displays the white balance status. Displays the position selected with the <WHITE BAL> switch or the following. • [ATW] : Displayed when the auto tracking white balance is operating. Flashes when luminance level and color temperature are outside the range. • [LOCK] : Displayed when the auto tracking white balance is locked.
[EXTENDER]	Displays the status of the extender.
[B.GAMMA]	Displays the status of black gamma.
[MATRIX]	Displays the currently selected color correction table.
[COLOR COR.]	Displays the status of the color correction function.
[FILTER]	Displays the <ND FILTER> dial position with numbers 1 to 4 and <CC FILTER> dial position with alphabet A to D.
[ATW]	Displays the status of automatic tracking white balance.

FUNCTION screen

Displays the video output settings and information of the recording media.

	Item	Description
[VIDEO OUT]	[SDI OUT1 FORMAT]	Format set in the [VIDEO OUT/LCD/VF] menu → [SDI OUT1] → [OUT FORMAT] is displayed.
	[SDI OUT1 CHAR]	Setting of the [VIDEO OUT/LCD/VF] menu → [SDI OUT1] → [SDI OUT CHAR] is displayed.
	[SDI OUT2 FORMAT]	Format set in the [VIDEO OUT/LCD/VF] menu → [SDI OUT2] → [OUT FORMAT] is displayed.
	[SDI OUT2 CHAR]	Setting of the [VIDEO OUT/LCD/VF] menu → [SDI OUT2] → [SDI OUT CHAR] is displayed.
	[HDMI OUT SIGNAL]	Setting of the [VIDEO OUT/LCD/VF] menu → [HDMI OUT] → [SIGNAL SEL] is displayed.
[HDR/SDR]	[SDI OUT1]	The output image from the <SDI OUT1> terminal is displayed with [HDR]/[SDR].
	[SDI OUT2]	The output image from the <SDI OUT2> terminal is displayed with [HDR]/[SDR].
	[HDMI OUT]	The output image from the <HDMI> terminal is displayed with [HDR]/[SDR].
	[LCD/VF]	Displays the output image from the LCD monitor and the viewfinder with [HDR]/[SDR].
[CARD STATUS]	[TOTAL]	Displays the setting status of the [RECORDING] menu → [REC MEDIA], and remaining capacity (minutes)/total recording time of the memory card to record on. Displays the information of the card slot 1 when the [RECORDING] menu → [REC MEDIA] is set to [expressP2] and total of card slots 2 and 3 when set to [microP2/SD]. It is not displayed when the [NETWORK] menu → [NETWORK FUNC] is set to [NDI HX].
	[SLOT1]	Displays the remaining capacity (%)/remaining capacity (minutes)/total recording time of the memory card inserted in card slot 1. It is not displayed when set to the [NETWORK] menu → [NETWORK FUNC] → [NDI HX]. The status of the memory card that is displayed are following types. <ul style="list-style-type: none"> • [NO CARD]: Memory card is not inserted. • [UNSUPPORTED]: Memory card is not supported. • [FORMAT ERROR]: Memory card cannot be used. (Format error) • [PROTECTED]: It is write protected. The write-protected switch of the memory card is set to the Protect side. • [NO REMAIN]: Memory card has no remaining capacity. • [ENCRYPTED]: expressP2 card formatted with encryption with CPS password is inserted. In cases other than above, the remaining capacity of the memory card is displayed in 0% through 100%.
	[SLOT2]	Displays the remaining capacity (%)/remaining capacity (minutes)/total recording time of the memory card inserted in card slot 2. It is not displayed when set to the [NETWORK] menu → [NETWORK FUNC] → [NDI HX]. The status of the memory card that is displayed are following types. <ul style="list-style-type: none"> • [NO CARD]: Memory card is not inserted. • [UNSUPPORTED]: Memory card is not supported. • [FORMAT ERROR]: Memory card cannot be used. (Format error) • [PROTECTED]: It is write protected. The write-protected switch of the memory card is set to the LOCK side. • [NO REMAIN]: Memory card has no remaining capacity. • [NOT SDXC]: Recording mode is set to MOV but SDXC memory card or 64 GB microP2 card is not inserted. • [ENCRYPTED]: microP2 card formatted with encryption with CPS password is inserted. In cases other than above, the remaining capacity of the memory card is displayed in 0% through 100%.

Chapter 5 Shooting — Display of the viewfinder status

Item	Description
[SLOT3]	<p>Displays the remaining capacity (%)/remaining capacity (minutes)/total recording time of the memory card inserted in card slot 3. It is not displayed when set to the [NETWORK] menu → [NETWORK FUNC] → [NDI HX]. The status of the memory card that is displayed are following types.</p> <ul style="list-style-type: none"> • [NO CARD]: Memory card is not inserted. • [UNSUPPORTED]: Memory card is not supported. • [FORMAT ERROR]: Memory card cannot be used. (Format error) • [PROTECTED]: It is write protected. The write-protected switch of the memory card is set to the LOCK side. • [NO REMAIN]: Memory card has no remaining capacity. • [NOT SDXC]: Recording mode is set to MOV but SDXC memory card or 64 GB microP2 card is not inserted. • [ENCRYPTED]: microP2 card formatted with encryption with CPS password is inserted. <p>In cases other than above, the remaining capacity of the memory card is displayed in 0% through 100%.</p>

AUDIO screen

Displays the audio input/output settings and the recording level.

Item	Description
[MIC POWER(MENU)]	Displays the setting value of the [AUDIO] menu → [INPUT SETTINGS] → [FRONT MIC POWER] and the [AUDIO] menu → [INPUT SETTINGS] → [REAR MIC POWER].
[VOL. SELECT]	Displays the setting value of the [AUDIO] menu → [REC CH SETTINGS] → [VOL. SELECT].
[A.IN]	[CH1] to [CH4] Displays the audio input signal selected with the <AUDIO IN CH1> to <AUDIO IN CH4> switches.
[LEVEL]	[CH1] to [CH4] Displays the recording level adjustment method of each channel. <ul style="list-style-type: none"> • [AUTO]: Automatic adjustment • [VOL.]: Manually adjusted by the <AUDIO LEVEL CH1/3>/<AUDIO LEVEL CH2/4> dial • [MENU]: Manually adjusted by the [AUDIO] menu → [REC CH SETTINGS] → [CH1 LEVEL CONTROL] to [CH4 LEVEL CONTROL]
[F.VOL.]	[CH1] to [CH4] Displays whether the <F.AUDIO LEVEL> dial is enabled in each channel. <ul style="list-style-type: none"> • [ON]: Enabled • [OFF]: Disabled <p>Settings in the <AUDIO IN CH1> to <AUDIO IN CH4> switch and the [AUDIO] menu → [REC CH SETTINGS] → [FRONT VOL. CH1] to [FRONT VOL. CH4] does not match.</p> <ul style="list-style-type: none"> • [---]: Disabled <p>The channel is not selected in the [AUDIO] menu → [REC CH SETTINGS] → [VOL. SELECT].</p>
[LIMITER]	[CH1] to [CH4] Displays enable/disable of limiter for each channel with [ON]/[OFF]. Displays [---] when recording level adjustment method is automatic adjustment.
[LOWCUT]	[CH1] to [CH4] Displays enable/disable of low-cut filter for each channel with [ON]/[OFF].

CAC screen

Displays information about the chromatic aberration compensation function.

[CAC CONTROL]	Displays the setting value of the [CAMERA] menu → [CAC ADJ.] → [CAC CONTROL]. [STOP] is displayed when the chromatic aberration compensation function is not active due to conditions of the data or the lens even if set to the [CAMERA] menu → [CAC ADJ.] → [CAC CONTROL] → [ON].
[CAC MODE]	Displays the operation mode of the chromatic aberration compensation function. <ul style="list-style-type: none"> • [AUTO]: The CAC file is automatically selected.
[CONNECT LENS TYPE]	Displays the lens ID of the currently connected digital lens.
[SELECT FILE TITLE]	Displays the title and the file version of the CAC file currently used for chromatic aberration compensation.
[CAC WARNING]	Displays a warning when operation of the chromatic aberration compensation has stopped. <ul style="list-style-type: none"> • [CAC LENS DATA INVALID]: This is displayed, for example, when the response data from the lens is not supported. • [LENS INITIALIZATION NOT COMPLETED]: This is displayed, for example, when initialization of the lens cannot be completed.

SWITCH screen

Displays the function assigned to the USER button, <GAIN> switch, and <WHITE BAL> switch as well as the setting value.

Item	Description
[USER SW]	[1] to [5] Displays the function assigned to the <USER 1> through <USER 5> buttons.
[OTHER ASSIGN]	[RET SW] Displays the function assigned to the <RET> button of the lens.
	[GAIN L] Displays the gain value assigned to <L> of the <GAIN> switch.

Chapter 5 Shooting — Display of the viewfinder status

Item	Description
[GAIN M]	Displays the gain value assigned to <M> of the <GAIN> switch.
[GAIN H]	Displays the gain value assigned to <H> of the <GAIN> switch.
[S.GAIN]	Displays the list of gain values assigned as a super gain.
[DS.GAIN]	Displays the gain value assigned as digital super gain. [ALL] is displayed when the [CAMERA] menu → [USER SW GAIN] → [DS.GAIN] → [ALL] is set.
[WHITE BAL A]	Displays the color temperature assigned to <A> of the <WHITE BAL> switch. Displays [ATW] when the auto tracking white balance function is assigned.
[WHITE BAL B]	Displays the color temperature assigned to of the <WHITE BAL> switch. Displays [ATW] when the auto tracking white balance function is assigned.
[WHITE BAL PRST]	Displays the color temperature assigned to <PRST> of the <WHITE BAL> switch. Displays [ATW] when the auto tracking white balance function is assigned. Color temperature and [VAR] are displayed when [VAR] is assigned.

NETWORK screen

Displays the settings of the network function.

Item	Description
[NETWORK]	
[DEVICE SEL]	Displays the setting value of the [NETWORK] menu → [DEVICE SEL].
[NETWORK FUNC]	Displays the setting value of the [NETWORK] menu → [NETWORK FUNC].
[STRM FORMAT]	Displays the streaming format. It is not displayed when set to the [NETWORK] menu → [NETWORK FUNC] → [OFF].
[STRM DATA TYPE]	Displays the setting value of the [NETWORK] menu → [STREAMING] → [DATA TYPE]. It is not displayed when set to anything other than the [NETWORK] menu → [NETWORK FUNC] → [STREAMING].
[IP REMOTE]	Displays enable/disable of the IP remote function with [ENABLE]/[DISABLE].
[IPv4 ADDRESS]	Displays the IP address of IPv4. It is not displayed when set to the [NETWORK] menu → [DEVICE SEL] → [OFF].
[IPv6 ADDRESS]	Displays the IP address of IPv6. [DISABLE] is displayed when the [NETWORK] menu → [LAN PROPERTY] → [IPv6 SETTING] → [ENABLE/DISABLE] → [DISABLE] is set. It is not displayed when set to anything other than the [NETWORK] menu → [DEVICE SEL] → [LAN].

Convenient shooting functions

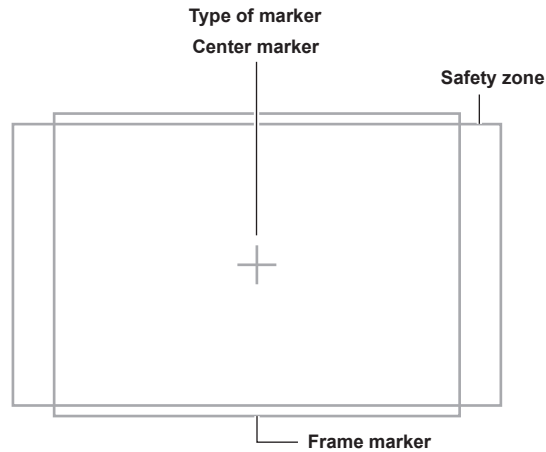
Setting the marker display

Select the type and display of the center marker, safety zone marker, safety zone area, and frame marker.

Set marker display in each item in the [VIDEO OUT/LCD/VF] menu → [SDI OUT1 MARKER]/[SDI OUT2 MARKER]/[LCD/VF MARKER].

Marker confirmation screen (marker select function)

Displays the screen for confirming the marker status of the camera is displayed on the viewfinder screen.



Pushing the <MARKER SEL>/<MODE CHECK> switch on the camera towards the <MKR> side switches the marker on the viewfinder in the order of [A] marker, [B] marker, and no display.

Aspect ratios 14:9 and 4:3 can be confirmed by using the <MARKER SEL>/<MODE CHECK> switch when set to the following.

- Set [MKR:A] as the [VIDEO OUT/LCD/VF] menu → [LCD/VF MARKER] → [FRAME MARKER] → [14:9].
- Set [MKR:B] as the [VIDEO OUT/LCD/VF] menu → [LCD/VF MARKER] → [FRAME MARKER] → [4:3].

Displaying zebra pattern

The camera can display two types of zebra patterns.

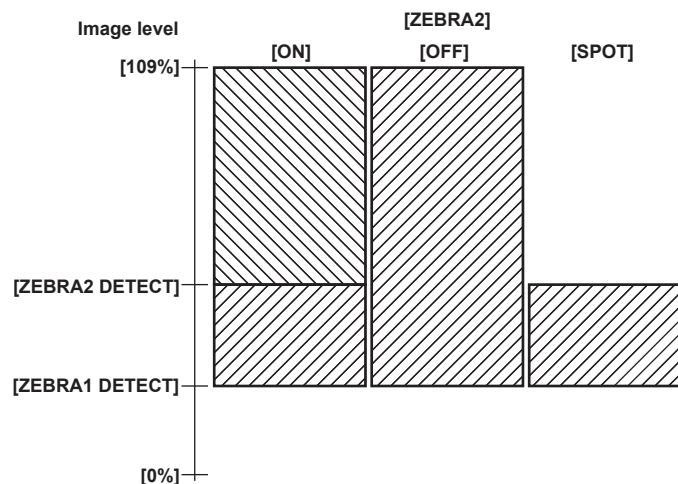
When the <ZEBRA> switch of the viewfinder is set to <ON>, the zebra pattern currently set in the menu is displayed on the viewfinder screen.

Zebra patterns can also be displayed in the video output from <SDI OUT1>/<SDI OUT2>/<HDMI> terminals according to settings.

The level for displaying zebra patterns can be set in the [VIDEO OUT/LCD/VF] menu → [EI ASSIST].

Item	Description of settings
[ZEBRA1 DETECT]	Sets the level of zebra pattern 1 tilting to the right. • [0%]...[109%] (Factory setting: [80%])
[ZEBRA2 DETECT]	Sets the level of zebra pattern 2 tilting to the left. • [0%]...[109%] (Factory setting: [100%])
[ZEBRA2]	Selects the type of [ZEBRA2]. • [ON], [SPOT], [OFF] (Factory setting: [OFF])

[SPOT]: The image level from the setting value of [ZEBRA1 DETECT] to the setting value of [ZEBRA2 DETECT] is displayed in the zebra pattern.



When displaying the zebra pattern in the video output from <SDI OUT1> and <SDI OUT2> terminals, perform setting in the [VIDEO OUT/LCD/VF] menu → [SDI OUT1]/[SDI OUT2] → [SDI OUT ZEBRA].

Display of zebra pattern output to the <HDMI> terminal is based on the following setting.

- [VIDEO OUT/LCD/VF] menu → [HDMI OUT] → [SIGNAL SEL]
- [VIDEO OUT/LCD/VF] menu → [SDI OUT1]/[SDI OUT2] → [SDI OUT ZEBRA]

NOTE

- The zebra pattern is not displayed when the [SCENE FILE] menu → [GAMMA MODE SEL] → [HLG] is selected.

Focus assist function

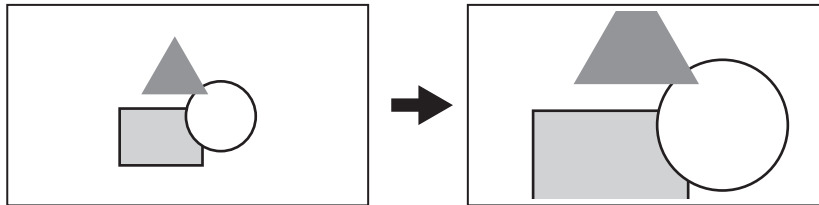
The focus assist function enables you to focus the target easily.

Enlarged display

■ Assigning [FOCUS ASSIST] to the USER button

Assigns [FOCUS ASSIST] to the desired USER button or <RET> button on the lens.

Pressing the assigned USER button enlarges the center of the screen and make it easier to focus when the [VIDEO OUT/LCD/VF] menu → [FOCUS ASSIST] → [FOCUS ASSIST SELECT] → [EXPAND] is selected.



■ Setting the mode for enlarged display function

The method to cancel the enlarged display can be selected in the [VIDEO OUT/LCD/VF] menu → [FOCUS ASSIST] → [EXPAND MODE].

When using peaking display and focus square display simultaneously, they may be disabled depending on the setting of the enlarged display.

[10SEC]: Cancels in 10 seconds.

[HOLD]: Cancels when the button to which [FOCUS ASSIST] is assigned is pressed.

[UNTIL REC]: Cancels when recording starts. Enlarged display is not available during recording.

■ Setting the enlargement rate

Can be selected from the [VIDEO OUT/LCD/VF] menu → [FOCUS ASSIST] → [EXPAND VALUE] → [×2]/[×3]/[×4].

■ Setting the enlargement position

The enlargement position can be selected from nine positions when the enlarged display function is enabled.

In the case of the jog dial button: Turn the jog dial button to move the enlarged position. It will return to center when the jog dial button is pressed.

It can also be operated by pressing the cursor operation button.

In case of touching the LCD monitor: The enlarged position will move by touching the vertical and horizontal arrow markers on the LCD monitor.

Peaking display/focus square display

The peaking display will outline the contour of the focused image in red, green, or white.

The degree of focus is indicated by the size of the square in the focus square display.

■ Displaying the peaking display/focus square display

Assigns [FOCUS ASSIST] to the desired USER button or <RET> button on the lens.

Select the [VIDEO OUT/LCD/VF] menu → [FOCUS ASSIST] → [FOCUS ASSIST SELECT] → [PEAKING]/[SQUARES] and press the USER button assigned with [FOCUS ASSIST] to display in the set type. Press the USER button again to return to the normal display.

■ Setting the focus assist display type

Select the type of display in the [VIDEO OUT/LCD/VF] menu → [FOCUS ASSIST] → [FOCUS ASSIST SELECT].

[EXPAND]: Sets the enlarged display.

[PEAKING]: Sets the peaking display.

[SQUARES]: Sets the focus square display.

[EXPAND+PEAKING]: Displays in combination of [EXPAND] and [PEAKING].

[EXPAND+SQUARES]: Displays in combination of [EXPAND] and [SQUARES].

■ Setting the peaking level

Sets the intensity of the peaking display.

Can be selected from the [VIDEO OUT/LCD/VF] menu → [FOCUS ASSIST] → [PEAKING LEVEL] → [LOW]/[MID]/[HIGH].

■ Setting the color for peaking display

Can be selected from the [VIDEO OUT/LCD/VF] menu → [FOCUS ASSIST] → [PEAKING COLOR] → [RED]/[GREEN]/[WHITE].

How to use the focus square display

Adjust focus so that the size of the square shown over the desired subject to focus on becomes the largest size.

Monochrome display

Enables/disables the monochrome display in the [VIDEO OUT/LCD/VF] menu → [FOCUS ASSIST] → [BLACK & WHITE].

[ON]: Enables the monochrome display.

[OFF]: Disables the monochrome display.

[DURING PEAKING]: Enables the monochrome display while the peaking display is enabled.

Highlighting the contours of images

It is easier to focus if the contours of images on the LCD monitor and viewfinder are highlighted.

Highlighting contours does not affect the images output or recorded by the camera.

Highlights the contours of images when set to the [VIDEO OUT/LCD/VF] menu → [FOCUS ASSIST] → [DETAIL] → [ON].

Intensity of the contour can be adjusted in the [VIDEO OUT/LCD/VF] menu → [FOCUS ASSIST] → [DETAIL] → [DETAIL LEVEL].

Frequency of the contour can be adjusted in the [VIDEO OUT/LCD/VF] menu → [FOCUS ASSIST] → [DETAIL] → [DETAIL FREQ.].

NOTE

- The enlarged display/peaking display/focus square display cannot be recorded.
- The enlarged display/peaking display/focus square display is not displayed while displaying the color bars.
- Some of the displays such as marker will be hidden temporarily during enlarged display/focus square display.

Waveform monitor function

Pressing the USER buttons to which [WFM] is assigned will display the waveform of the image. Press the USER button again to return to the normal display.

- The waveform and vector displays can be switched by the [VIDEO OUT/LCD/VF] menu → [EI ASSIST] → [WFM MODE]. (page 94)
- The waveform monitor is not displayed during enlarged display or focus square display of the focus assist function.
- The waveform monitor cannot be recorded.
- The waveform monitor is automatically displayed when some of the menus to perform the image quality adjustment are set.

Adjusting and setting the LCD monitor

Using the LCD monitor

- 1 Push the <OPEN> button towards the right to open the LCD monitor.**
- 2 Set the LCD monitor screen to the easiest-to-view position.**

Rotate up to 180° in the lens direction and 90° in the direction towards you.
- 3 Adjust the brightness of the LCD monitor/color density/contrast/brightness of the back light in the [VIDEO OUT/LCD/VF] menu → [LCD] → [BRIGHTNESS]/[COLOR LEVEL]/[CONTRAST]/[BACK LIGHT].**

Brightness of the back light can be adjusted by pressing the USER button assigned with [LCD BACKLIGHT].

NOTE

- When closing the LCD monitor, be sure to close it firmly.
- Take care not to apply excessive force on the LCD monitor when it is opened. Doing so may result in a malfunction.
- Condensation sometimes forms on the LCD panel of the LCD monitor in locations subject to extreme temperature differences. If this happens, wipe with a soft, dry cloth.
- The LCD monitor will be slightly darker than normal immediately after the power is turned on when the camera is very cold. The brightness will return to normal when the internal temperature increases.

Mirror shooting

When recording with the LCD monitor rotated 180° to the lens side, if the camera is set to the [VIDEO OUT/LCD/VF] menu → [LCD] → [SELF SHOOT] → [MIRROR], the image is displayed in reverse in left and right on the LCD monitor. This allows shooting as if looking at a mirror image. Note that only the display of the LCD monitor is horizontally reversed. Recording is performed as per normal.

NOTE

- When the LCD monitor is rotated 180° with the [VIDEO OUT/LCD/VF] menu → [LCD] → [SELF SHOOT] → [MIRROR] selected, the same state as in the viewfinder is not displayed in the LCD monitor regardless of the setting in the [VIDEO OUT/LCD/VF] menu → [INDICATOR].

Adjusting and setting the viewfinder

Using the viewfinder

For details about the attachment to the camera and adjustment, refer to the Operating Instructions for each viewfinder. Set the items of the [VIDEO OUT/LCD/VF] menu to specify the information to display in the viewfinder.

For details on method of use, refer to the Operating Instructions for each viewfinder.

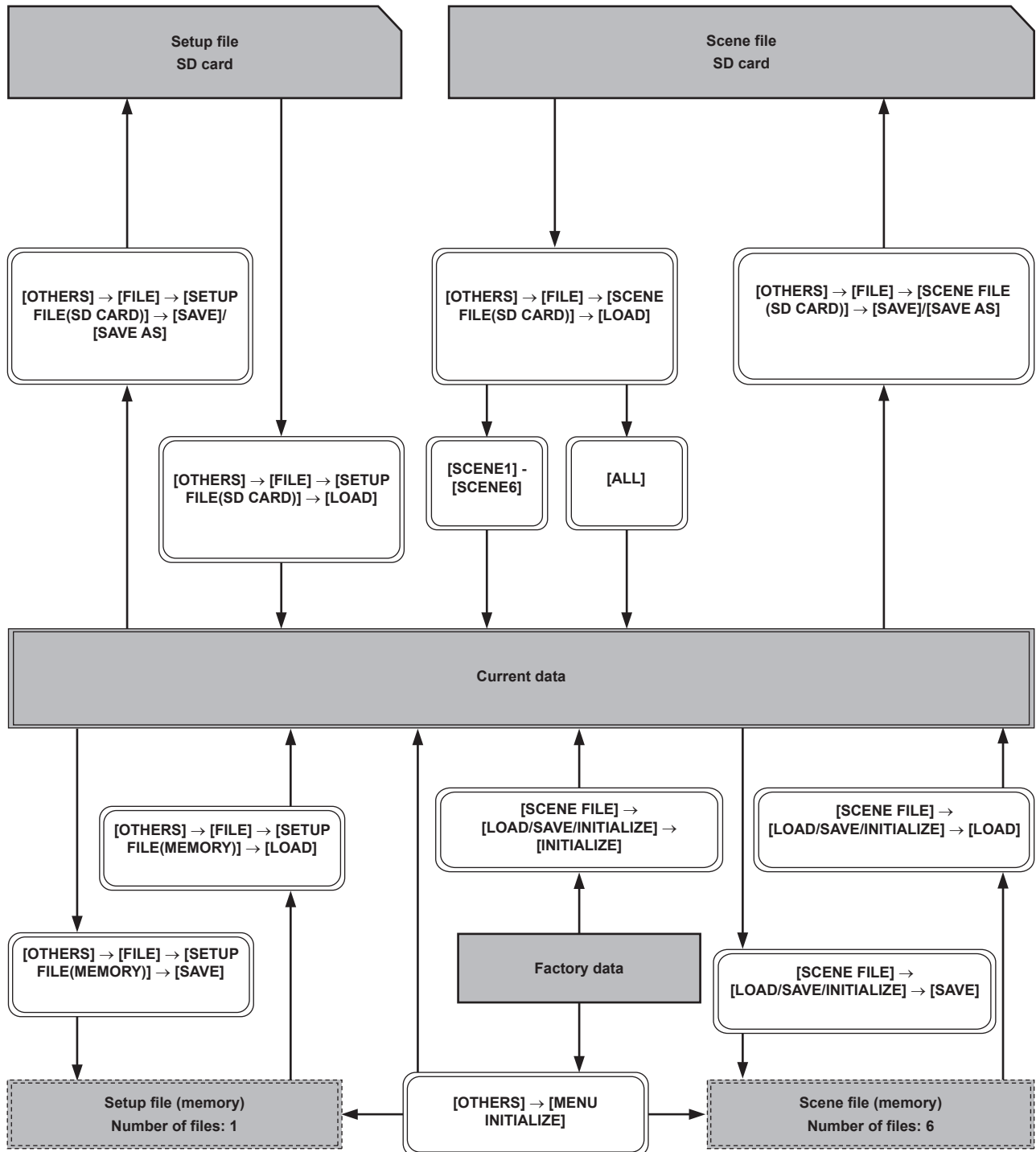
Handling setting data

File structure of the setting data

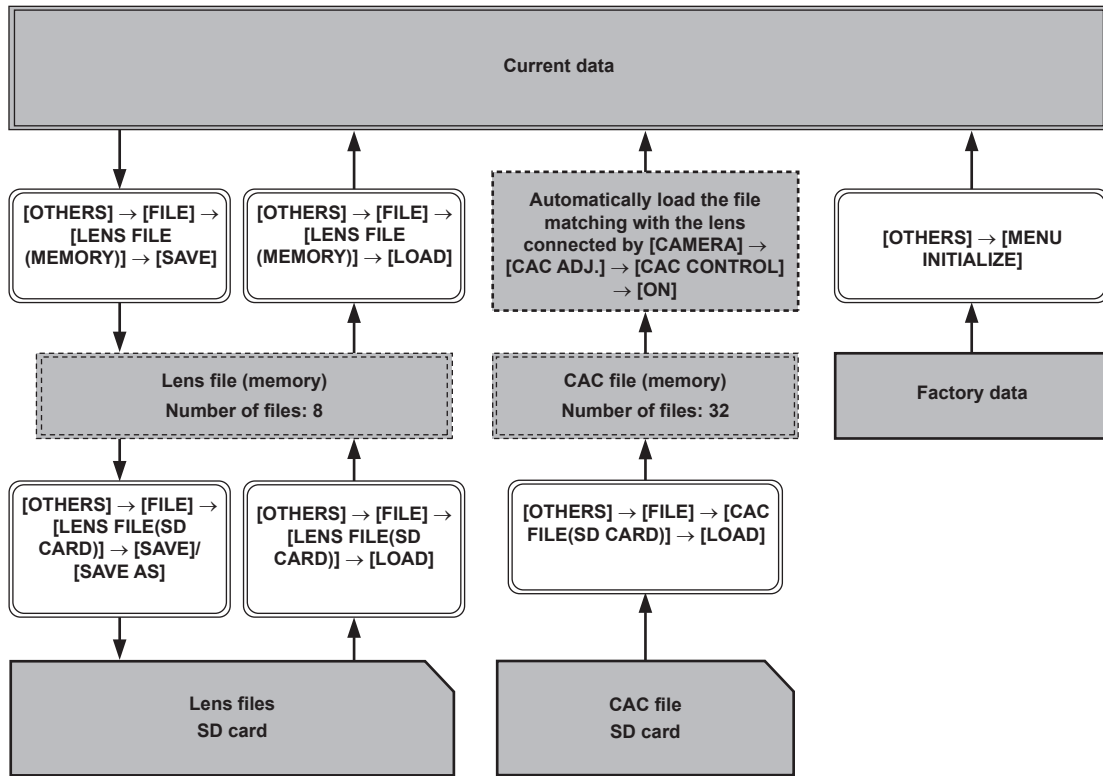
The camera has six file data areas.

Factory data	This area stores factory settings. It cannot be rewritten by menu operation.
Current data	This area stores the operation status of the camera. Setting values in this area are changed by menu operation.
Setup file	This area stores values set by menu operation. As default data, factory data is stored here.
Scene file	Six scene files are provided.
Lens files	Eight lens files are provided. Eight of these files can be saved together as a single file on SD card.
CAC file	This area stores 32 chromatic aberration compensation data.

■ Setup file and scene file



■ Lens file and CAC file



NOTE

• Each file cannot be operated by displaying the menu during interval recording standby. Press the <REC> or <STOP> button to end interval recording, and try the operation again.

Setting up using SD cards

An SD card can be used as a setup card that stores menu content. Use of this data allows you to reproduce optimum setup states.

Operating SD cards

Select in the [OTHERS] menu → [FILE] → [SLOT FOR LOAD/SAVE] → [SLOT2]/[SLOT3]. If a SD card that was formatted in a standard other than SDHC/SDXC standards on a device other than this camera is inserted, file cannot be loaded or saved. Reformat the SD card.

Formatting the SD card

- 1** Select the [RECORDING] menu → [FORMAT MEDIA] → [SLOT2]/[SLOT3].
Select the card slot where the SD card to format is inserted.
 - 2** Select [SET] in the confirmation screen.
Select when not formatting.
 - 3** When the completion message is displayed, select .
- For details about the error message, refer to “Warning system” (page 205).

NOTE

• Data deleted as a result of formatting cannot be restored. Always confirm the data before formatting.

Setup file

Specified menu can be saved or loaded to/from the camera memory or a SD card.

Saving the setup file

Saves the current setting value of the camera into the camera memory or SD card.

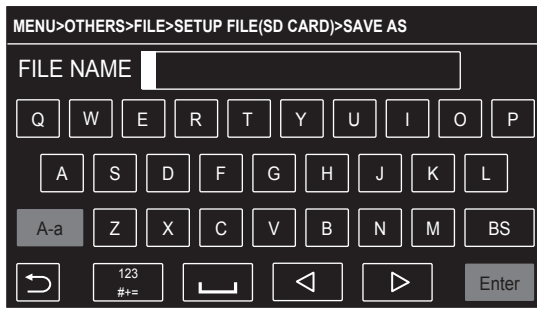


Fig. 1

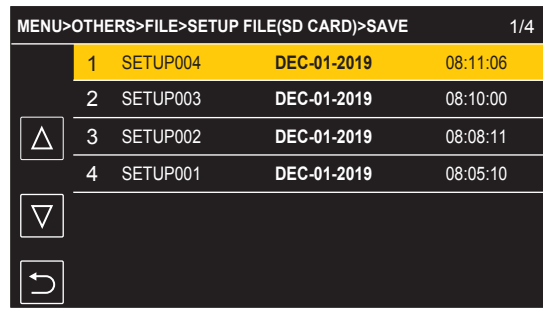


Fig. 2

Saving a setup file as a new file on a SD card

Current setting values of the camera is saved as a new file in a SD card by specifying the file name.

- 1 Select the [OTHERS] menu → [FILE] → [SETUP FILE(SD CARD)] → [SAVE AS].

The file name entry screen and the keyboard are displayed. (Fig. 1)

- 2 Enter the text to set with the keyboard.

- 3 Select [Enter].

A confirmation screen is displayed.

- 4 Select [SET].

The file is saved.

Overwriting a setup file on SD card

Overwrites the file selected in the list of the setup files saved on the SD card with the current setting values of the camera.

- 1 Select [OTHERS] menu → [FILE] → [SETUP FILE(SD CARD)] → [SAVE].

The list of setup files saved on the SD card is displayed. (Fig. 2)

- 2 Select the file to overwrite from the list of setup files.

The file name entry screen and the keyboard are displayed. Leave it as is when overwriting.

- 3 Select [Enter].

A confirmation screen is displayed.

- 4 Select [SET].

The file is saved.

Saving the setup file to the camera memory

Saves the current setting value of the camera into the camera memory.

- 1 Select [OTHERS] menu → [FILE] → [SETUP FILE(MEMORY)] → [SAVE].

Loading the setup file

Loads a setup file from the camera memory or the SD card.

Loading the setup file from the SD card

Loads a setup file saved in the SD card.

- 1 Select the [OTHERS] menu → [FILE] → [SETUP FILE(SD CARD)] → [LOAD].

A list of setup files stored in the specified folder in the SD card is displayed.

- 2 Select the name of the file to load.

- 3 Select [SET].

Loading of the file is started. The camera is restarted after loading.

- An error message may be displayed. For error message, refer to “Warning system” (page 205).
- The file saved with different firmware version may not be able to load.

Loading setup files from the camera memory

Loads the setup file saved on the camera memory.

- 1 Select the [OTHERS] menu → [FILE] → [SETUP FILE(MEMORY)] → [LOAD].

Loading of the file is started. The camera is restarted after loading.

Scene file

Scene files

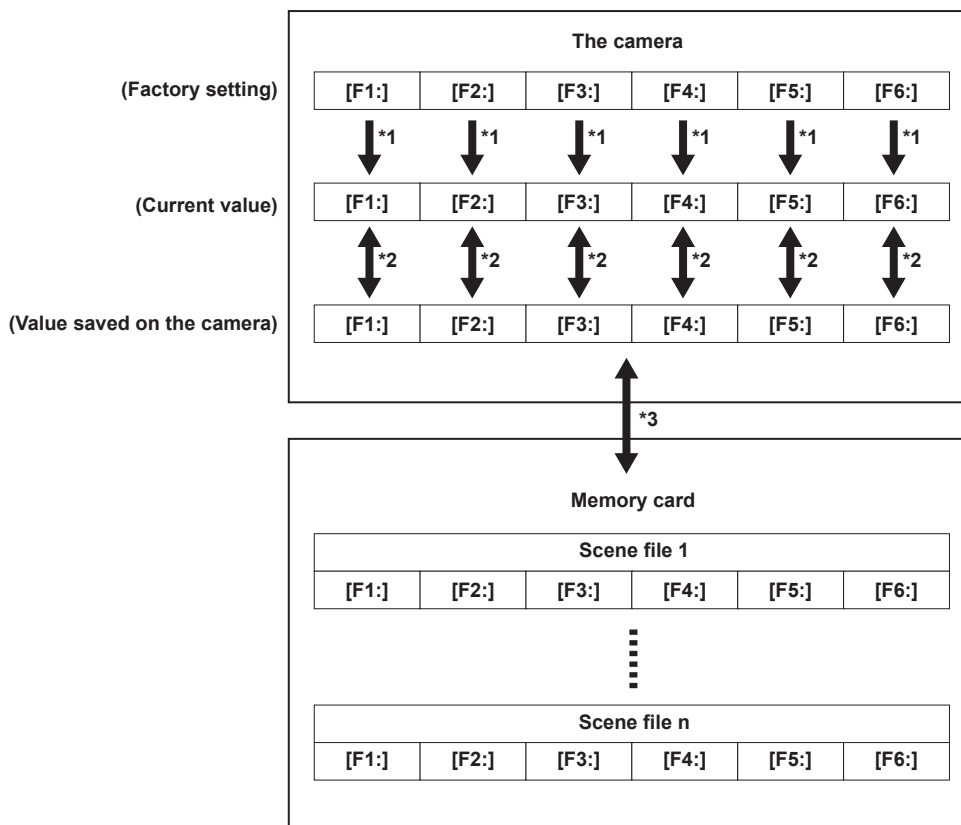
File structure of the setting data

The scene files of [F1:] to [F6:] can be saved in the camera memory in accordance to the scene file number.

What can be saved as a scene file is the setting contents of the [SCENE FILE] menu.

In addition, the current setting values of the scene files of [F1:] to [F6:] can be saved as a file to the camera memory or a SD card, and that data can be loaded and used in the camera.

Setting data file structure of the camera is as follows.



*1 The scene file can be initialized.

Select the [SCENE FILE] menu → [LOAD/SAVE/INITIALIZE] → [INITIALIZE].

*2 Current setting value of each scene file can be individually saved in the camera body. Also, the scene files saved in the camera memory can be loaded.

Select the [SCENE FILE] menu → [LOAD/SAVE/INITIALIZE] → [LOAD]/[SAVE].

*3 The scene file can be saved in a SD card. Also, the scene file saved in the SD card can be loaded.

Saving the scene file

Saving the scene file into the camera memory

Saves the current setting value of the camera into the camera memory.

1 Select the [SCENE FILE] menu → [LOAD/SAVE/INITIALIZE] → [SAVE].

Saving the scene file to a SD card

The scene file can be overwritten to a file on the SD card, or saved as a new file.

■ Saving a scene file as a new file on a SD card

Current setting values of the camera is saved as a new file in a SD card by specifying the file name.

1 Select the [OTHERS] menu → [FILE] → [SCENE FILE(SD CARD)] → [SAVE AS].

The file name entry screen and the keyboard are displayed.

2 Enter the text to set with the keyboard.

3 Select [Enter].

A confirmation screen is displayed.

4 Select [SET].

The file is saved.

- An error message may be displayed. For details about the error message, refer to “Warning system” (page 205).

■ Saving the scene file by overwriting a file on the SD card

Overwrites the file selected in the list of the scene files saved on the SD card with the current setting values of the camera.

1 Select the [OTHERS] menu → [FILE] → [SCENE FILE(SD CARD)] → [SAVE].

The list of scene files saved on the SD card is displayed.

2 Select the file to overwrite from the list of scene files.

The file name entry screen and the keyboard are displayed. Leave it as is when overwriting.

3 Select [Enter].

A confirmation screen is displayed.

4 Select [SET].

The file is saved.

Loading the scene file

The scene file saved in the camera memory or the SD card is loaded.

Loading the scene file from the camera memory

1 Select the [SCENE FILE] menu → [LOAD/SAVE/INITIALIZE] → [LOAD].

Loading the scene file from the SD card

1 Select the [OTHERS] menu → [FILE] → [SCENE FILE(SD CARD)] → [LOAD].

A list of scene files stored in the folder in the SD card is displayed.

2 Select the file name for the file to load.

3 Select either to load all scene files ([F1:] to [F6:]) or to load individually.

- To load all, select [ALL].
- To load individually, select the scene number to load.

4 Select [SET].

The file is loaded.

- An error message may be displayed. For details about the error message, refer to “Warning system” (page 205).

Initialization of the scene file

Initializes the scene file saved in the camera memory.

1 Select the scene file to return to the factory setting in the [SCENE FILE] menu → [FILE SELECT].

2 Select the [SCENE FILE] menu → [LOAD/SAVE/INITIALIZE] → [INITIALIZE].

The confirmation screen is displayed.

3 Select [YES].

The selected scene file returns to the factory setting.

Changing the scene file name

Changes the name of the scene file saved in the camera memory.

Only changeable part is the title section of the scene file name. As an example, if the scene file name is [F6:HLG], only the “HLG” part can be changed.

1 Select the scene file to change the name in the [SCENE FILE] menu → [FILE SELECT].

2 Select the [SCENE FILE] menu → [NAME EDIT].

The file name entry screen and the keyboard are displayed.

3 Enter the text to set with the keyboard. (Maximum eight characters)

4 Select [Enter].

The file name is updated.

Returning the setting value of the menu to the factory setting

Most of the setting values of the menu can be returned to factory setting status.

Refer to “Target items for scene file/setup file/initialization” (page 111).

1 Select the [OTHERS] menu → [MENU INITIALIZE].

2 Select [SET] when the confirmation message is displayed.

Factory setting data is loaded.

NOTE

- Data saved as lens files in the camera memory are not deleted by performing this operation.

Lens files

Eight lens files are stored to internal memory on the camera.

Eight lens files can be written into a SD card as a single card file.

The following data is recorded to lens files:

- Title name
- White shading compensation values
- Flare correction values
- RB gain offset compensation values

Creating lens files

Adjusting white shading

For details on adjusting white shading, refer to “White shading compensation function” (page 38).

Adjusting flare

Adjusts the flare in the [CAMERA] menu → [LENS FILE ADJ.] → [LENS R FLARE]/[LENS G FLARE]/[LENS B FLARE].

Adjusting RB gain offset

Compensate for changes in white balance that occur when the lens is replaced.

- 1 Mount the lens to be used as a reference on the camera.**
- 2 Shoot a grayscale chart under appropriate lighting (2000 lx or 3200 K preferred).**
- 3 Set the <WHITE BAL> switch to <A>.**
- 4 Adjust the lens aperture so that the white window in the center of the grayscale chart is about 80%.**
- 5 Push the <AUTO W/B BAL> switch towards the <AWB> side.**
White balance is automatically adjusted.
- 6 Measure the signal level of RGB in the waveform monitor.**
- 7 Replace the lens with the one to be used for creating the lens file.**
- 8 Fine-adjust the lens aperture so that the signal level of Gch becomes the same as the signal level obtained in step 6.**
- 9 Set to the [CAMERA] menu → [LENS FILE ADJ.] → [LENS FILE ADJ. MODE] → [ON].**
- 10 Adjust so that the signal level of Rch becomes the same as Gch in the [CAMERA] menu → [LENS FILE ADJ.] → [LENS R GAIN OFFSET].**
- 11 Likewise, adjust [LENS B GAIN OFFSET] so that the signal level of Bch becomes the same as Gch.**

Writing lens files to internal memory

- 1 Select the [OTHERS] menu → [FILE] → [LENS FILE(MEMORY)] → [SAVE].**
The list of lens files currently saved in camera memory is displayed.
- 2 Select the file to write from the file list.**
The title entry screen and keyboard are displayed.
- 3 Enter the text to set with the keyboard.**
- 4 Select [Enter] using the jog dial button (or the cursor buttons).**
A confirmation screen is displayed.
- 5 Select [SET].**
The file is saved and the file list is updated.

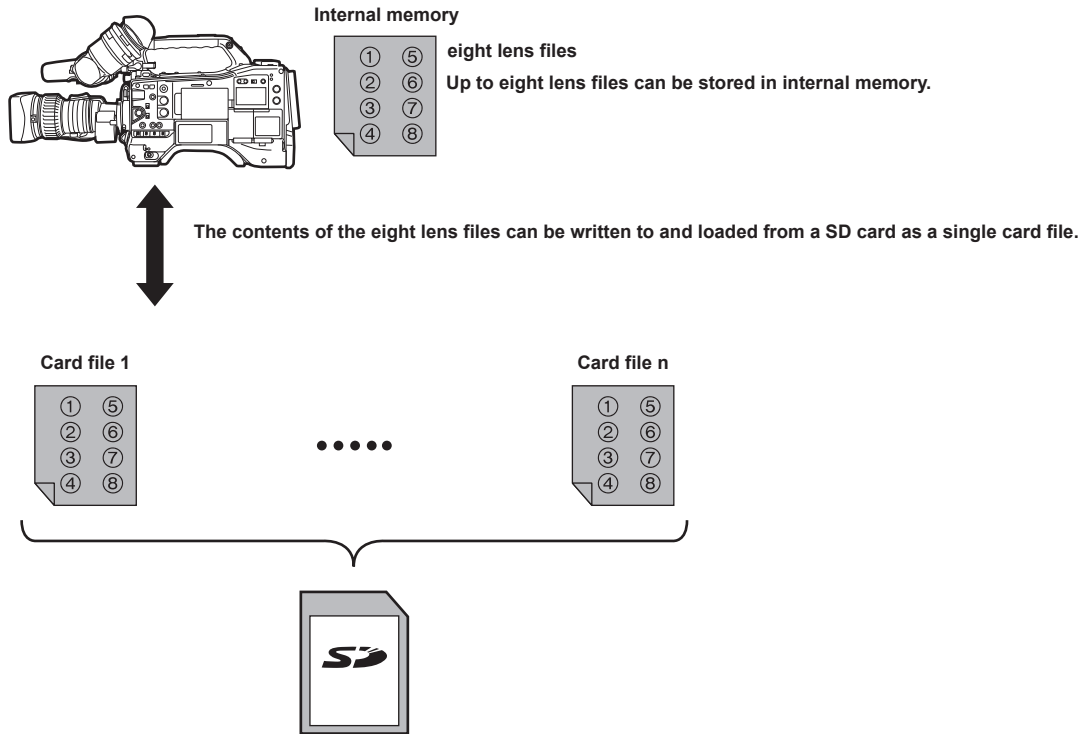
Loading lens files from internal memory

- 1 Select the [OTHERS] menu → [FILE] → [LENS FILE(MEMORY)] → [LOAD].**
The list of lens files currently saved in camera memory is displayed.
- 2 Select the file name for the file to load.**
A confirmation screen is displayed.
- 3 Select [SET].**
Loading of the file begins.
- 4 When the completion message is displayed, press the jog dial button (or <SET> button).**
Select the [OTHERS] menu → [FILE] → [LENS FILE(MEMORY)] → [CLEAR ALL FILE] to delete (clear) the internal memory data in the lens file.

Writing and loading lens files to and from SD card

Eight lens files stored in the internal memory on the camera can be written to a SD card as a single card file. For lens files written to the SD card, the written single card file (eight lens files) can be loaded into the internal memory.

The following shows the relationship between lens files stored to the internal memory and card files written to the SD card.



Writing lens files to SD card

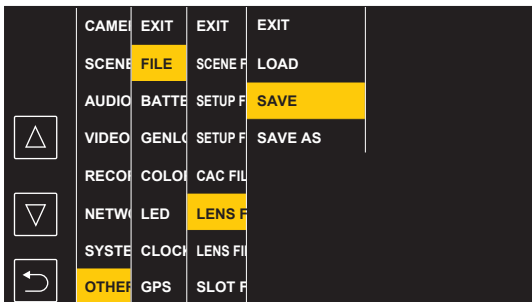


Fig. 1

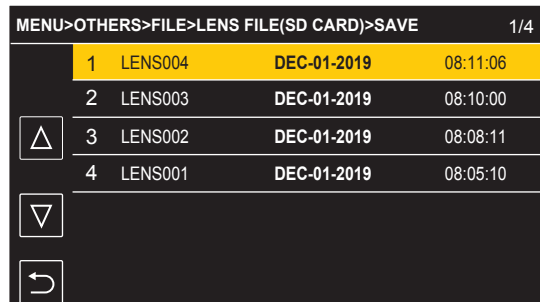


Fig. 2

Saving a lens file as a new file on a SD card

Current setting values of the camera is saved as a new file in a SD card by specifying the card file name.

- 1 Select the [OTHERS] menu → [FILE] → [LENS FILE(SD CARD)] → [SAVE AS].

The card file name entry screen and the keyboard are displayed.

- 2 Enter the text to set with the keyboard.

- 3 Select [Enter].

A confirmation screen is displayed.

- 4 Select [SET].

The card file is saved.

Overwriting a lens file on a SD card

Overwrites the file selected in the list of the card files saved on the SD card with the current setting values of the camera.

- 1 Select the [OTHERS] menu → [FILE] → [LENS FILE(SD CARD)] → [SAVE]. (Fig. 1)

The list of card files saved on the SD card is displayed.

- 2 Select the file to overwrite from the list of card files. (Fig. 2)

The card file name entry screen and the keyboard are displayed. Leave it as is when overwriting.

3 Select [Enter].

A confirmation screen is displayed.

4 Select [SET].

The card file is saved.

- An error message may be displayed. For error message, refer to “Warning system” (page 205).

Loading lens files from SD card

1 Select the [OTHERS] menu → [FILE] → [LENS FILE(SD CARD)] → [LOAD].

The list of card files saved on the SD card is displayed.

2 Select the card file to load.

A confirmation screen is displayed.

3 Select [SET].

Loading of the file begins.

4 When the completion message is displayed, press the jog dial button (or <SET> button).

- An error message may be displayed. For error message, refer to “Warning system” (page 205).

 **NOTE**

- Titles of lens files included in the card file saved in the SD card are not displayed in the [LENS FILE(SD CARD)] screen. Load the file each time and confirm them in the [LENS FILE(MEMORY)] screen. Lens file in the internal memory will be overwritten when loading the lens file. Backup the lens file in the internal memory by writing it on the SD card before loading a lens file from a SD card.

CAC file

For details, refer to “Chromatic aberration compensation function (CAC)” (page 39).

Chapter 6 **Playback**

Data including additional information such as image, audio, and meta data that are recorded by single shooting is saved as a clip. Playback, copy, etc., of the clip can be performed on the camera.

Thumbnail operation

Thumbnail operation overview

A clip is a group of data recorded by a single shooting, which includes additional information such as image, audio, and meta data.

The following operations can be performed while viewing the clip thumbnails displayed on the LCD monitor.

There are two methods of operation, a method to operate with the jog dial button or the cursor operation button, and a method to touch the LCD monitor.

- Playback
- Delete
- Protect (only the clips recorded in MOV format)
- Copy (only the clips recorded in P2 format)
- Re-connect (only the clips recorded in P2 format)

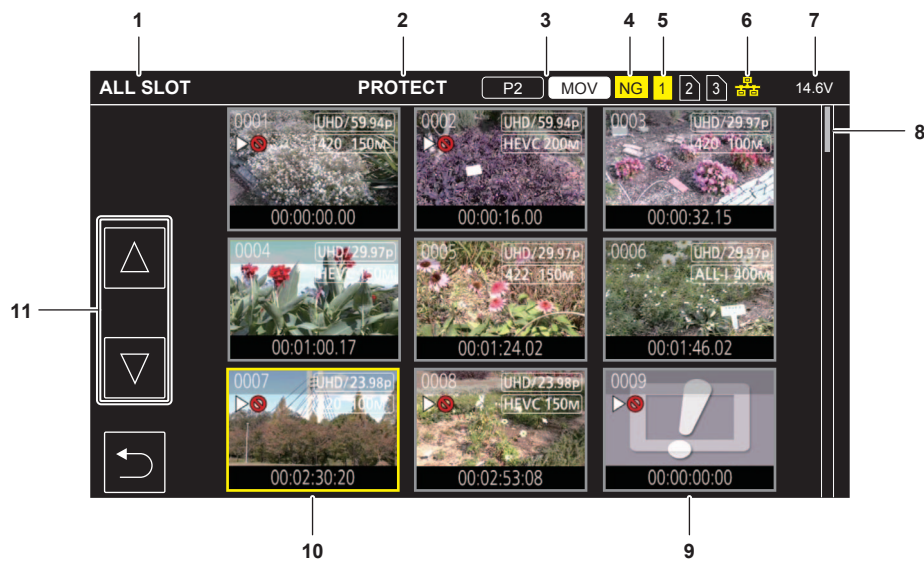
Thumbnail screen

Press the <THUMBNAIL> button to display the thumbnail screen while displaying the camera image screen.

Press the <THUMBNAIL> button again to display the camera image screen.

The clip in the recording file format (P2 or MOV) selected in the [SYSTEM] menu → [FILE FORMAT] is displayed in the thumbnail screen.

Also, menu in the thumbnail screen can be operated by pressing the <MENU> button while the thumbnail screen is displayed.



1 Clip status display

[ALL SLOT]: Displays all the clips recorded on every memory card in each card slot.

Displays in [ALL SLOT] when switched from the camera image screen to the thumbnail screen.

[SLOT1]: Displays only the clips recorded on the memory card in card slot 1.

[SLOT2]: Displays only the clips recorded on the memory card in card slot 2.

[SLOT3]: Displays only the clips recorded on the memory card in card slot 3.

[SAME FORMAT]: Displays only the clips recorded in the same format as the system format.

Clips recorded in the same format means that each item of the [SYSTEM] menu → [FREQUENCY]/[FILE FORMAT]/[REC FORMAT]/[AUDIO SAMPLE RES.] matches the current setting status.

Following items are also displayed when set to the [SYSTEM] menu → [FILE FORMAT] → [P2].

[SLOT1→SLOT2]: Displayed when copying from the memory card in card slot 1 to the memory card in card slot 2.

[SLOT1→SLOT3]: Displayed when copying from the memory card in card slot 1 to the memory card in card slot 3.

[SLOT2→SLOT1]: Displayed when copying from the memory card in card slot 2 to the memory card in card slot 1.

[SLOT2→SLOT3]: Displayed when copying from the memory card in card slot 2 to the memory card in card slot 3.

[SLOT3→SLOT1]: Displayed when copying from the memory card in card slot 3 to the memory card in card slot 1.

[SLOT3→SLOT2]: Displayed when copying from the memory card in card slot 3 to the memory card in card slot 2.

2 Function display

This is displayed during the operation of copy, delete, protect, etc.

3 Recording mode

P2: Displayed when P2 is selected as the recording file format.

MOV: Displayed when MOV is selected as the recording file format.

P2: Displayed when MOV is selected as the recording file format, and there is at least one P2 clip on any of the memory cards.

MOV: Displayed when P2 is selected as the recording file format, and there is at least one MOV clip on any of the memory cards.

4 Defective clip status

NG: Displayed when P2 is selected as the recording file format and there is at least one defective P2 clip that may be repaired in the thumbnail screen.

NG: Displayed when P2 is selected as the recording file format and there is at least one defective P2 clip that cannot be repaired in the thumbnail screen.

(No display): There is no defective P2 clip in the thumbnail screen.

5 Media status display

The card slot number of the memory card where the clip in the cursor position is recorded is displayed in yellow.

6 Connection status of the wireless LAN/wired LAN

Displays the connection status of the wireless LAN or wired LAN.

(No display): It is not connected via wired LAN or wireless LAN. It is set to the [NETWORK] menu → [DEVICE SEL] → [OFF].

: It is set to the wired LAN, and ROP is not connected.

: It is set to the wired LAN, and ROP is connected.

: It is set to the wireless LAN, and ROP is not connected.

: It is set to the wireless LAN, and ROP is connected.

7 Battery status display

Displays the battery remaining capacity.

Display unit is “V” (voltage display) or “%” (percentage display).

8 Scroll bar

Indicates which part of the whole thumbnail is currently being viewed.

9 Clip that cannot be played back

Displays when the clip cannot be played back in the camera such as standard violation.

10 Cursor

11 Page switching button

Switches the page of the thumbnail screen.

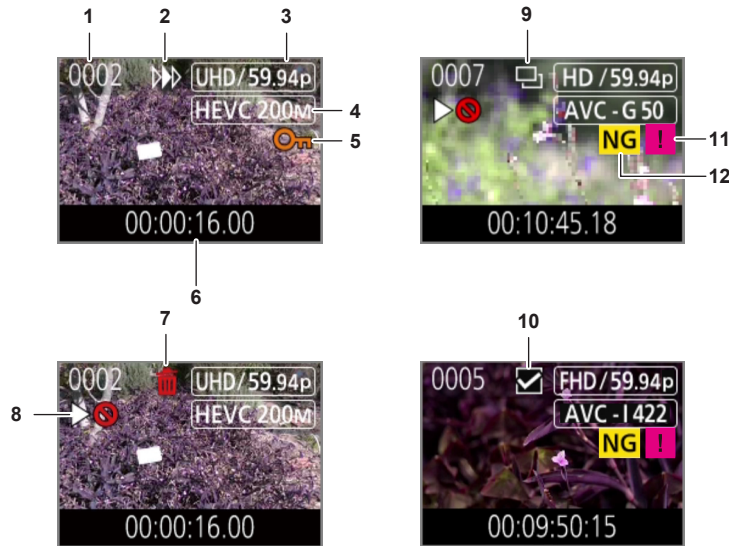
[△]: Moves to previous page

[▽]: Moves to next page

NOTE

- When P2 is selected as the recording file format, a clip recorded over multiple memory cards is displayed as one clip.
- MOV clip and P2 clip cannot be displayed in the thumbnail screen simultaneously.

Display of the clips in the thumbnail screen



1 Thumbnail number

Displays the thumbnail number in [0001] to [9999].

Normally, the number assigned to the clip in the order of recording is displayed.

2 Resume play status

3 Number of recording pixels, system frequency

4 Recording file format, recording codec

5 Protection status of the clip

This is displayed when the clip is protected.

6 Standard time code/clip name

The first eight digits for the time code when starting shooting of a clip or the file name of the clip are displayed in alphanumeric.

The information to display is set in the [THUMBNAIL] menu → [DISPLAY] → [DATA].

7 Delete selection status

8 Clip that cannot be played back

This is displayed when the clip cannot be played back with the camera because the system frequency is different, etc.

9 Copy selection status

This is displayed when the clip is selected.

10 Re-connection selection status

This is displayed when the clip to be re-connected is selected.

11 Incomplete clip

: This is displayed for a P2 clip when the clip is recorded over multiple memory cards, and any of those memory cards are not inserted.

12 Defective clip/unknown clip

: This is displayed for a defective P2 clip that may be repaired.

: This is displayed for a defective P2 clip that cannot be repaired.

: This is displayed for a P2 clip with a different format for P2 standard.

Display of clip information

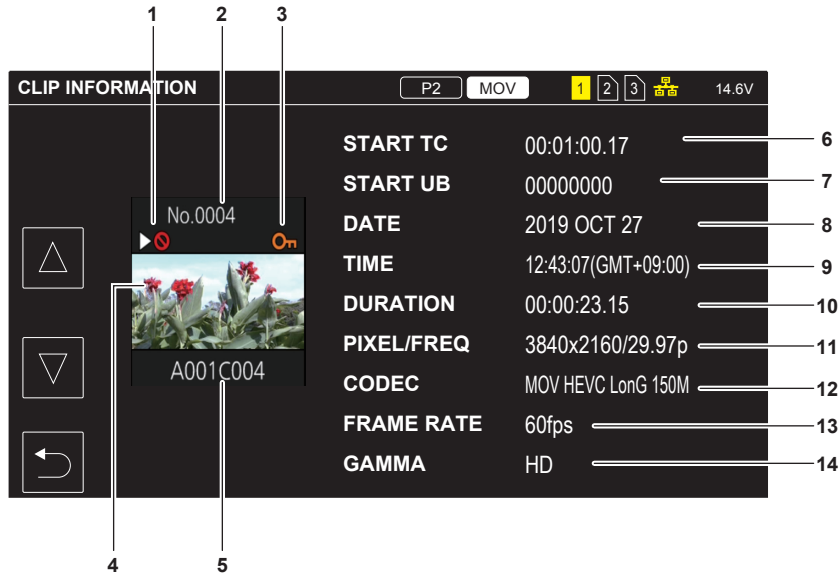
Displays the information of the clip where the cursor is positioned.

1 Move the yellow cursor to the clip to display the clip information.

2 Select the [THUMBNAIL] menu → [CLIP] → [INFORMATION].

The clip information is displayed.

Clip information



1 Clip that cannot be played back

This is displayed when the clip cannot be played back with the camera because the system frequency is different, etc.

2 Thumbnail number

3 Protect status of the clip/defective clip/unknown clip/incomplete clip

On: This is displayed when the clip is protected.

NG: This is displayed for a defective P2 clip that may be repaired.

NG: This is displayed for a defective P2 clip that cannot be repaired.

?: This is displayed for a P2 clip with a different format for P2 standard.

!: This is displayed for a P2 clip when the clip is recorded over multiple memory cards, and any of those memory cards are not inserted.

4 Thumbnail image

5 Clip name

6 [START TC]

Displays the time code value at the start of the recording.

7 [START UB]

Displays the user bits value at the start of the recording.

8 [DATE]

Displays the date of the recording.

9 [TIME]

Displays the time at the start of recording.

10 [DURATION]

Displays the time length of the clip.

11 [PIXEL/FREQ]

Displays the recording format of the clip.

12 [CODEC]/[CODEC/AUDIO]

Displays the recording file format and the recording codec of the clip.

Displays the number of bits of the audio of the clip when recording format is AVC-Intra 100/AVC-Intra 50.

13 [FRAME RATE]

Displays the recording frame rate of the clip.

This camera does not support variable frame rate recording function and this item is not displayed in clips recorded by this camera.

14 [GAMMA]

Displays the gamma of the clip.

Copying clips

Clips can be copied between memory cards.
Only the clip recorded in P2 can be copied.



Fig. 1



Fig. 2



Fig. 3



Fig. 4

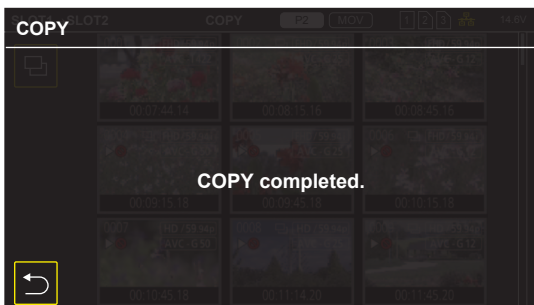


Fig. 5


- 1** Press the <THUMBNAIL> button.
The thumbnail screen is displayed.
- 2** Press the <MENU> button while the thumbnail screen is displayed.
The menu is displayed.
- 3** Select the [THUMBNAIL] menu → [CLIP] → [COPY].
- 4** Select [SELECT]. (Fig. 1)
 - All clips can be copied between the memory cards when [ALL] is selected.
- 5** Select the card slot for the copy destination. (Fig. 2)

The clips on the memory card of the copy source is displayed in the thumbnail screen. (Fig. 3)


 - [SLOT1→SLOT2]: Copies clips from the memory card in card slot 1 to the memory card in card slot 2.
 - [SLOT1→SLOT3]: Copies clips from the memory card in card slot 1 to the memory card in card slot 3.
 - [SLOT2→SLOT1]: Copies clips from the memory card in card slot 2 to the memory card in card slot 1.
 - [SLOT2→SLOT3]: Copies clips from the memory card in card slot 2 to the memory card in card slot 3.
 - [SLOT3→SLOT1]: Copies clips from the memory card in card slot 3 to the memory card in card slot 1.
 - [SLOT3→SLOT2]: Copies clips from the memory card in card slot 3 to the memory card in card slot 2.
- 6** Select the clip to copy in the thumbnail screen.
□ is displayed on the selected clip.
- 7** Select [COPY]. (Fig. 4)
 - This can also be selected by pressing and holding the jog dial button.

8 When the confirmation message is displayed, select [SET].

Progress bar is displayed, and the copy of the clip starts.

[OVERWRITE?] is displayed when there is a same P2 clip in the copy destination. Select [SET] when overwriting the clip, and select  when not overwriting the clip.

- To cancel the copy midway, select [CANCEL].

9 When the completion message is displayed, select . (Fig. 5)

 **NOTE**

- Clips in MOV format cannot be copied.
- The copy is not possible when the volume of the selected clip is larger than the available memory card capacity of the destination.
- The copy is not possible when the copy destination memory card is write protected.
- The copy is not possible when it will exceed the maximum number of clips.
- The P2 clip exceeding 4 GB cannot be copied to a memory card of 32 GB or less.
- The P2 clip recorded over multiple memory cards cannot be copied to a same memory card.

Deleting clips

Deletes the clip.



Fig. 1

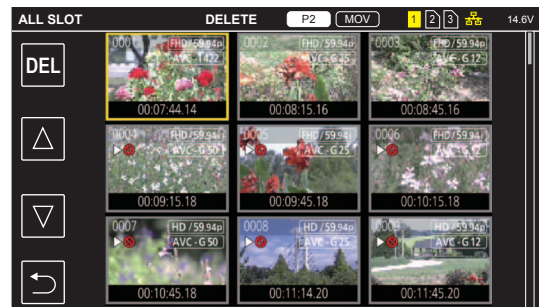


Fig. 2



Fig. 3

1 Press the <THUMBNAIL> button.

The thumbnail screen is displayed.

2 Press the <MENU> button while the thumbnail screen is displayed.

The menu is displayed.


3 Select the [THUMBNAIL] menu → [CLIP] → [DELETE].

4 Select [SELECT]. (Fig. 1)

The thumbnail screen is displayed. (Fig. 2)

- When [ALL] is selected, all the clips displayed in the thumbnail screen are deleted.
- The clip that is not displayed in the thumbnail screen is not deleted.

5 Select the clip to delete in the thumbnail screen.

 is displayed on the selected clip.

6 Select [DEL]. (Fig. 3)

- This can also be selected by pressing and holding the jog dial button.

7 When the confirmation message is displayed, select [SET].

Progress bar is displayed, and the deleting of the clip starts.

- To cancel midway, select [CANCEL].


8 When the completion message is displayed, select .

NOTE

- The protected clip cannot be deleted.
- Deleting is not possible when the memory card with the clip to delete is write protected.

Protecting clips

The clip recorded in MOV format can be protected.

- 1 Press the <THUMBNAIL> button.**
The thumbnail screen is displayed.
- 2 Press the <MENU> button while the thumbnail screen is displayed.**
The menu is displayed.
- 3 Select the [THUMBNAIL] menu → [CLIP] → [PROTECT].**
- 4 Select [SELECT].**
The thumbnail screen is displayed.
- 5 Select the clip to protect in the thumbnail screen.**
 -  is displayed on the selected clip.
 - Protect is canceled when the protected clip is selected.

NOTE

- Protecting is not possible when the memory card with the clip to protect is write protected.
- Clips in P2 format cannot be protected.

Restoring clips

In following cases, restoration of the clip may be required depending on the condition. It may take some time to restore depending on the error.

- When the memory card in the card slot with the card access lamp is flashing is removed
- When the power is turned off by removing the battery or the external DC power supply while recording or performing record completion process

Restoring a clip (P2 format)

An error message is not displayed when P2 is selected as the recording file format.

NG is displayed in the thumbnail screen when there is at least one defective P2 clip that may be repaired in the thumbnail screen. In such case, the clip can be repaired in following procedure.

- 1 Press the <THUMBNAIL> button.**
The thumbnail screen is displayed.
- 2 Press the <MENU> button while the thumbnail screen is displayed.**
The menu is displayed.
- 3 Select the [THUMBNAIL] menu → [CLIP] → [REPAIR].**
- 4 Select [YES].**
All the defective P2 clips that may be repaired in the thumbnail screen are repaired.

Restoring a clip (MOV format)

An error as in following figure is displayed when MOV is selected as the recording file format.

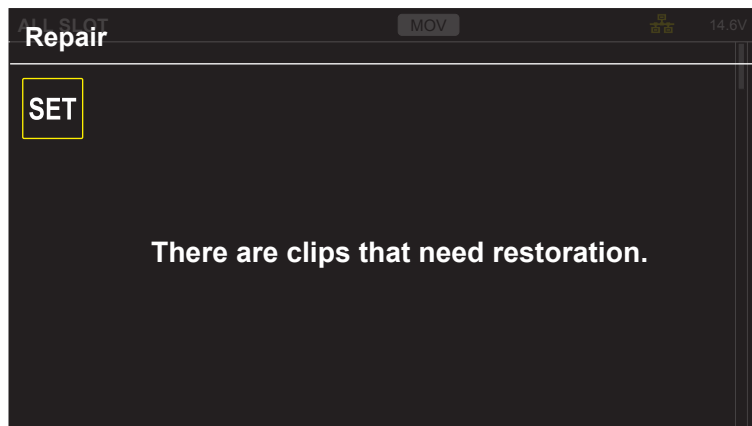




Fig. 1

- 1 Select [SET] in the error message screen. (Fig. 1)**
 - Once the repair is completed, select  in the confirmation message. It will return to the previous screen.
 -  is displayed on the clip when an abnormal management information is detected while displaying the thumbnail.


NOTE

- Do not remove the memory card in the card slot that is flashing, or do not remove the battery or the external DC power supply when the card access lamp is flashing in orange. Doing so will cause damage to the memory card.
- Use a sufficiently charged battery or external DC power supply.
- It may not be possible to completely repair depending on the condition of the data.
- To restore the clips, it is necessary that the clips are recorded for more than a certain amount of time. Especially in the following cases, the clips may not be restored, because the number of frames to be recorded is small.
 - When the interval recording is enabled.
- The clips shot before the power was turned off will not be able playback if the repair fails. Also, it may not be possible to record any more.
- If data recorded with other device is repaired, it may not be able to play back on the camera or other device.
- If the repair failed, turn off the camera, and turn it back on after waiting for a while. If the repair fails repeatedly, format with the camera. All data will be erased when it is formatted, and it cannot be restored.
- Display of the thumbnail become slower when the thumbnail information is repaired.


Linking the incomplete clips

The linked P2 clips recorded over multiple memory cards may become incomplete clips due to being copied separately from each memory card. These can be restored to original linked clips by using the link function.

Only the P2 clips can be linked.

- 1 Press the <THUMBNAIL> button.**
The thumbnail screen is displayed.
- 2 Press the <MENU> button while the thumbnail screen is displayed.**
The menu is displayed.
- 3 Select the [THUMBNAIL] menu → [CLIP] → [RE-CONNECT].**
- 4 Select [SELECT].**
The thumbnail screen is displayed.
- 5 Select the clip to link in the thumbnail screen.**
 is displayed next to the thumbnail number on the selected clip.
- 6 Select [SET].**
 - This can also be selected by pressing and holding the jog dial button.
- 7 Select [SET] when the confirmation message is displayed.**
This starts linking of the clip.
- 8 When the completion message is displayed, select .**

NOTE

- Even though some clips are reconnected,  will remain displayed when all the clips constituting the original linked clip are not present.
- Linking is not possible when the memory card with the clips to link is write-protected.

Playing back clips



Fig. 1

- 1 In the [SYSTEM] menu → [FREQUENCY], select the system frequency to play back.**
- 2 In the [SYSTEM] menu → [FILE FORMAT], select the file format to play back.**
- 3 In the [SYSTEM] menu → [REC FORMAT], select the signal format and codec mode to play back.**

4 Press the <THUMBNAIL> button.

The thumbnail screen is displayed.

5 Press the <MENU> button while the thumbnail screen is displayed.

The menu is displayed.

6 In the [THUMBNAIL] menu → [PLAYBACK] → [CLIP SEL], select the card slot of the memory card to play back.

[ALL SLOT]: Displays all the clips recorded on every memory card in each card slot.

Displays in the order of the clips in the card slot 1, clips in the card slot 2, and then clips in the card slot 3 when MOV is selected as the recording file format.

Displays the clips on all the memory cards in the order of the recording date and time when P2 is selected as the recording file format.

[SLOT1]: Displays only the clips recorded on the memory card in card slot 1.

[SLOT2]: Displays only the clips recorded on the memory card in card slot 2.

[SLOT3]: Displays only the clips recorded on the memory card in card slot 3.

[SAME FORMAT]: Displays only the clips recorded in the same format as the system format.

Clips recorded in the same format means that each item of the [SYSTEM] menu → [FREQUENCY]/[FILE FORMAT]/[REC FORMAT]/[AUDIO SAMPLE RES.] matches the current setting status.

7 Select the clip to play back. (Fig. 1)

- ▷⊘ is displayed on the clip that cannot be played back.
- To play back the clip with ▷⊘ displayed, check the information of the clip with the clip information, and try operating from the beginning again.

Playback from button operations and operation icons



Direct playback bar

Playback operation	Operating procedure
Playback/pause	Touch [▶/] or press the <PLAY/PAUSE (▶/)> button.
Fast-reverse playback	Touch [◀◀] or press the <REV (◀◀)> button. Touch twice to increase the speed.
Fast-forward playback	Touch [▶▶] or press the <FWD (▶▶)> button. Touch twice to increase the speed.
Stop (return to thumbnail screen)	Touch [■] or press the <STOP (■)> button.
Skip playback (cue up of the clip)	Touch the LCD monitor while playing back, and slide from right to left (left to right). When sliding from left to right, the clip skips to the beginning of the previous clip if the current playback position of the clip is at less than three seconds from the beginning. The clip skips to the beginning of the current clip if the current playback position of the clip is at three seconds or more from the beginning. Skip playback is also possible by pressing the <FWD (▶▶)> button or <REV (◀◀)> button while paused.
Slow playback	Touch and hold [▶] during pause. Touch and hold [◀] for reverse slow playback. It will perform slow playback with continuous frame-by-frame while [▶] is touched. • Touch [▶/] or press the <PLAY/PAUSE (▶/)> button to return to normal playback. • The frame-by-frame interval and the display time for each frame for the reverse slow playback differ depending on the type of the clip.
Frame-by-frame playback	Touch [▶] during pause. ([◀] is for reverse frame-by-frame playback) • Touch [▶/] or press the <PLAY/PAUSE (▶/)> button to return to normal playback. • The frame-by-frame interval for reverse frame-by-frame playback differs depending on the type of the clip.
Direct playback	Touch the direct playback bar, or slide it while touching. • The playback video is paused during the operation. Playback is started by releasing the finger.

NOTE

- Operations of the camera or some performance may become slow for the clip with large file size.
- Operations of the camera or some performance may become slow when there are large number of clips on the memory card.

- Playback will stop once by switching the card slot when MOV is selected as the recording file format, and the [THUMBNAIL] menu → [PLAYBACK] → [CLIP SEL] → [ALL SLOT]/[SAME FORMAT] is set, and the clips of all the memory cards are displayed. Playback is not possible across two memory cards.
- If selecting P2 as recording file format and playing back a clip that was recorded by relay recording and spans between two memory card, playback will pause and a black screen will be displayed when switching the card slot. Playback will automatically restart after the switch.
- Playback stops when the memory card is removed during playback.

Useful playback function

Resume play

When the playback of a clip is stopped midway, it will start the playback from the position that stopped the playback when it is played back the next time.

1 Select the [THUMBNAIL] menu → [PLAYBACK] → [RESUME PLAY] → [ON].

When the playback of a clip is stopped midway, [▶▶] is displayed on the clip in the thumbnail screen.

NOTE

- Resume playback is canceled in following cases.
 - When the power is turned off
 - When the thumbnail screen is canceled by pressing the <THUMBNAIL> button
 - When the [SYSTEM] menu → [REC FORMAT] is changed

Still image recording function

One frame of the recorded video can be recorded as a still image.

Number of pixels of the still image to be recorded is same as the number of pixels of the recorded video.

1 Select by touching or pressing the jog dial button at the scene to be recorded as a still image while playing back.

The still image is recorded in the memory card being played back.



NOTE

- The playback will pause when a still image is recorded.
- Recorded still image cannot be displayed in thumbnail, played back, copied, or deleted in the camera.
- [INVALID] is displayed when the still image cannot be recorded in cases such as there is not enough remaining capacity in the memory card.

Chapter 7 **Output**

This chapter describes about the output image.

Output format

The format to be output differs depending on the setting in the [SYSTEM] menu → [FREQUENCY]/[REC FORMAT].

Format that can be output from the <SDI OUT1> terminal

The format that can be output from the <SDI OUT1> terminal differs with following combinations of the settings.

- [SYSTEM] menu → [FREQUENCY]
- [SYSTEM] menu → [REC FORMAT]
- [VIDEO OUT/LCD/VF] menu → [SDI OUT1] → [OUT FORMAT]

[FREQUENCY]	Item		Output Format [OUT FORMAT]	
	[REC FORMAT]			
	Resolution	Frequency		
[59.94Hz]	3840×2160	59.94p	3840×2160 59.94p 1920×1080 59.94p 1920×1080 59.94i (Factory setting)	
		29.97p	3840×2160 29.97p 1920×1080 29.97PsF (Factory setting)	
		23.98p	3840×2160 23.98p 1920×1080 23.98PsF (Factory setting)	
		1920×1080	59.94p	1920×1080 59.94p 1920×1080 59.94i (Factory setting)
			59.94i	1920×1080 59.94i
			29.97p	1920×1080 29.97PsF
	1280×720	23.98p	1920×1080 23.98PsF	
		59.94p	1280×720 59.94p	
		[50.00Hz]	3840×2160	50.00p
	25.00p			3840×2160 25.00p 1920×1080 25.00PsF (Factory setting)
	1920×1080			50.00p
			50.00i	1920×1080 50.00i
25.00p			1920×1080 25.00PsF	
1280×720	50.00p		1280×720 50.00p	

NOTE

- [OUT FORMAT] restores the factory settings when the settings of [FREQUENCY] and [REC FORMAT] change and the current setting values of [OUT FORMAT] cannot be acquired.
- The output format when playing back from the thumbnail screen is as follows.
 - It will be the value set in [OUT FORMAT] when the recording resolution of the playback clip is the same as [REC FORMAT].
 - It will be factory setting of [OUT FORMAT] when the recording resolution of the playback clip is different from [REC FORMAT].

Format that can be output from the <SDI OUT2> terminal

The format that can be output from the <SDI OUT2> terminal differs with following combinations of the settings.

- [SYSTEM] menu → [FREQUENCY]
- [SYSTEM] menu → [REC FORMAT]
- [VIDEO OUT/LCD/VF] menu → [SDI OUT2] → [OUT FORMAT]

[FREQUENCY]	Item		Output format [OUT FORMAT]	
	[REC FORMAT]			
	Resolution	Frequency		
[59.94Hz]	3840×2160	59.94p	1920×1080 59.94p 1920×1080 59.94i (Factory setting)	
		29.97p	1920×1080 29.97PsF	
		23.98p	1920×1080 23.98PsF	
		1920×1080	59.94p	1920×1080 59.94p 1920×1080 59.94i (Factory setting) 720×480 59.94i
			59.94i	1920×1080 59.94i (Factory setting) 720×480 59.94i
			29.97p	1920×1080 29.97PsF
	1280×720	23.98p	1920×1080 23.98PsF	
		59.94p	1280×720 59.94p (Factory setting) 720×480 59.94i	
		[50.00Hz]	3840×2160	50.00p

[FREQUENCY]	Item		Output format [OUT FORMAT]
	[REC FORMAT]		
	Resolution	Frequency	
	1920×1080	25.00p	1920×1080 25.00PsF
		50.00p	1920×1080 50.00p 1920×1080 50.00i (Factory setting) 720×576 50.00i
			50.00i
		25.00p	1920×1080 25.00PsF
	1280×720	50.00p	1280×720 50.00p (Factory setting) 720×576 50.00i

 **NOTE**

- The <SDI OUT2> terminal does not support 3840×2160 output.
- [OUT FORMAT] restores the factory settings when the settings of [FREQUENCY] and [REC FORMAT] change and the current setting values of [OUT FORMAT] cannot be acquired.
- The output format when playing back from the thumbnail screen is as follows.
 - It will be the value set in [OUT FORMAT] when the recording resolution of the playback clip is the same as [REC FORMAT].
 - It will be factory setting of [OUT FORMAT] when the recording resolution of the playback clip is different from [REC FORMAT].

Format that can be output from the <HDMI> terminal

The format that can be output from the <HDMI> terminal differs with following combination of the settings.

- [SYSTEM] menu → [FREQUENCY]
- [SYSTEM] menu → [REC FORMAT]
- [VIDEO OUT/LCD/VF] menu → [HDMI OUT] → [SIGNAL SEL]
- [VIDEO OUT/LCD/VF] menu → [SDI OUT2] → [OUT FORMAT]

[FREQUENCY]	Item			[SIGNAL SEL]	[SDI OUT2] → [OUT FORMAT]	Output format
	[REC FORMAT]					
	Resolution	Frequency				
[59.94Hz]	3840×2160	59.94p	[SDI OUT1(2160p)]	1920×1080 59.94p 1920×1080 59.94i	3840×2160 59.94p	
			[SDI OUT2] (Factory setting)	1920×1080 59.94p 1920×1080 59.94i	1920×1080 59.94p 1920×1080 59.94i	
			29.97p	[SDI OUT1(2160p)] [SDI OUT2] (Factory setting)	1920×1080 29.97PsF 1920×1080 29.97PsF	3840×2160 29.97p 1920×1080 29.97p
		23.98p	[SDI OUT1(2160p)]	1920×1080 23.98PsF	3840×2160 23.98p	
			[SDI OUT2] (Factory setting)	1920×1080 23.98PsF	1920×1080 23.98p	
		1920×1080	59.94p	[SDI OUT2] (Factory setting)	1920×1080 59.94p 1920×1080 59.94i 720×480 59.94i	1920×1080 59.94p 1920×1080 59.94i 720×480 59.94p
	59.94i			[SDI OUT2] (Factory setting)	1920×1080 59.94i 720×480 59.94i	1920×1080 59.94i 720×480 59.94p
	29.97p			[SDI OUT2] (Factory setting)	1920×1080 29.97PsF	1920×1080 29.97p
	23.98p		[SDI OUT2] (Factory setting)	1920×1080 23.98PsF	1920×1080 23.98p	
	1280×720		59.94p	[SDI OUT2] (Factory setting)	1280×720 59.94p 720×480 59.94i	1280×720 59.94p 720×480 59.94p
	[50.00Hz]	3840×2160	50.00p	[SDI OUT1(2160p)]	1920×1080 50.00p 1920×1080 50.00i	3840×2160 50.00p
[SDI OUT2] (Factory setting)				1920×1080 50.00p 1920×1080 50.00i	1920×1080 50.00p 1920×1080 50.00i	
25.00p			[SDI OUT1(2160p)] [SDI OUT2] (Factory setting)	1920×1080 25.00PsF 1920×1080 25.00PsF	3840×2160 25.00p 1920×1080 25.00p	
1920×1080		50.00p	[SDI OUT2] (Factory setting)	1920×1080 50.00p	1920×1080 50.00p	

Chapter 7 Output — Output format

[FREQUENCY]	Item			[SDI OUT2] → [OUT FORMAT]	Output format
	[REC FORMAT]		[SIGNAL SEL]		
	Resolution	Frequency			
				1920×1080 50.00i	1920×1080 50.00i
				720×576 50.00i	720×576 50.00p
		50.00i	[SDI OUT2] (Factory setting)	1920×1080 50.00i	1920×1080 50.00i
				720×576 50.00i	720×576 50.00p
	1280×720	50.00p	[SDI OUT2] (Factory setting)	1920×1080 25.00PsF	1920×1080 25.00p
				1280×720 50.00p	1280×720 50.00p
				720×576 50.00i	720×576 50.00p

 **NOTE**

- The audio output from the <HDMI> terminal is two channels. The audio channel to output can be selected in the [AUDIO] menu → [OUTPUT SETTINGS] → [HDMI OUT CH].
- The [VIDEO OUT/LCD/VF] menu → [HDMI OUT] → [SIGNAL SEL] → [SDI OUT1(2160p)]/[SDI OUT2] can be selected only when set to the [VIDEO OUT/LCD/VF] menu → [SDI OUT1] → [OUT FORMAT] → [3840×2160p].
When the [VIDEO OUT/LCD/VF] menu → [SDI OUT1] → [OUT FORMAT] is set to anything other than [3840×2160p], the same signal output from the <SDI OUT2> terminal is output from the <HDMI> terminal.

Chapter 8 **Connecting to External Devices**

This chapter describes the external devices that can be connected to the camera.

Connection function via the <USB DEVICE> terminal

Connecting to a computer in the card reader mode

Connect the camera to a computer via the USB type C cable to use the camera as a card reader for the memory card.
Connect with following procedure.

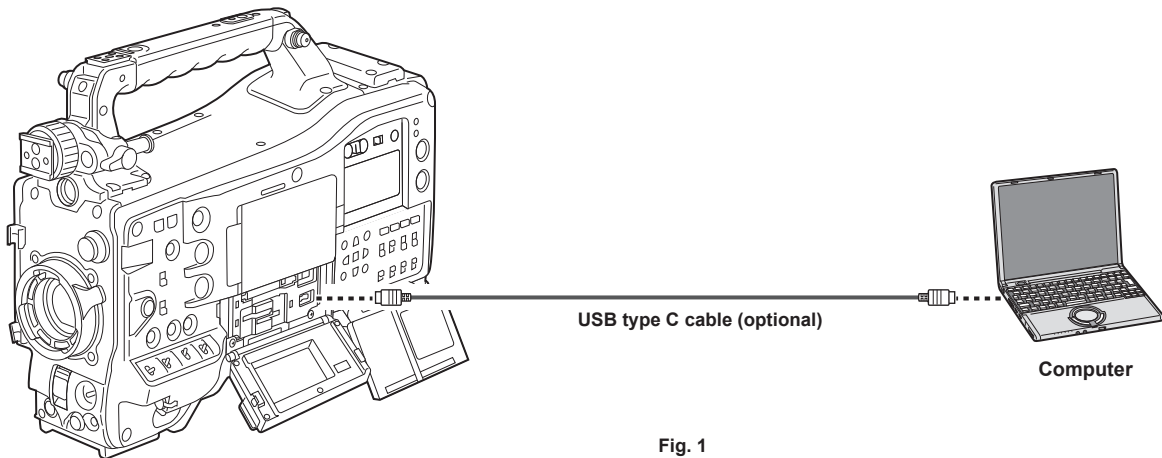


Fig. 1

1 Connect the USB cable to the <USB DEVICE> terminal. (Fig. 1)

2 Select the [OTHERS] menu → [USB DEVICE] → [CARD READER MODE].

Connection is completed when [USB connected. Please operate via PC.] is displayed.

If the USB connection is being moved or it is not connected properly, [Connect this unit to PC using USB cable.] is displayed.

■ Exiting the card reader mode

There are following methods.

- Turn the power switch of the camera to < ⏻ > (standby).
- Press the <EXIT> button.

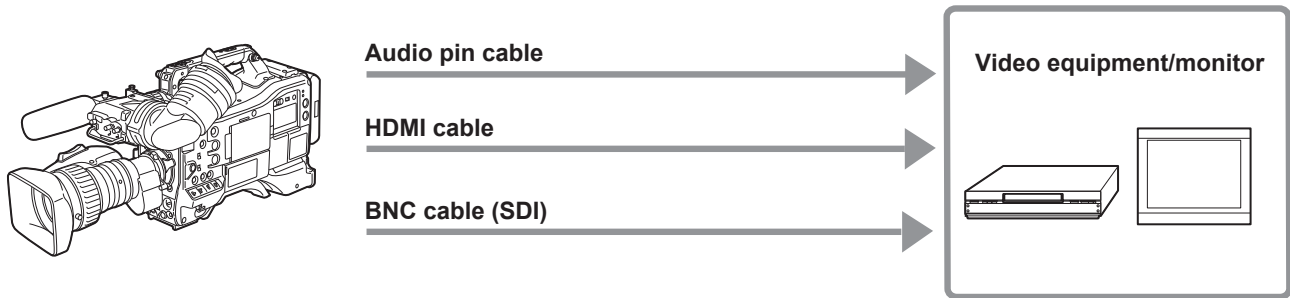
After exiting the card reader mode, returns to camera shooting status in approximately five seconds.

📝 NOTE

- A USB type C cable is not supplied with this camera. Prepare a commercial USB type C cable (double-shielded for noise suppression).
- Using a USB cable 1.5 m or shorter is recommended.
- When connecting the camera to a computer via USB, ensure that no other device is connected to the computer via USB.
- Do not remove the memory card when connecting the camera via USB.
- The card access lamp while connected to USB will turn off unless accessing.
- When the camera is operating in the card reader mode, camera shooting, recording/playback operation, or thumbnail operation of the clip is not allowed.
- When the camera is operating in the card reader mode, the remaining capacity and status of the memory card are not displayed. Also, video/audio cannot be output or displayed.
- The LCD monitor lights up by touching the monitor if it has turned out to save energy.

Connecting with a recording device or a monitor

The camera directly controls the video and the monitor to output video.



NOTE

- VIERA Link is not supported on the camera. The VIERA Link of other device may not properly operate when connected to the VIERA Link compatible device with a HDMI cable (optional).
- The SD resolution signal output from the <HDMI> terminal is output as a progressive signal (480P, 576P).
- Use a double-shielded cable equivalent to 5C-FB for the BNC cable (optional) that is connected to the <SDI OUT1> terminal or the <SDI OUT2> terminal.
- Use the double-shielded cable supporting 4K/60p as the HDMI cable. Also, it is recommended to use the Panasonic HDMI cable supporting 4K/60p as the HDMI cable.

Connecting external devices and recording control function

This camera supports remote function.

The recording operation of the external equipment can be controlled by superimposing the control signals to start the recording and pause the recording into the image signal output from the <SDI OUT1>/<SDI OUT2>/<HDMI> terminal.

Remote function

The signal to control the external equipment is superimposed in the output signal coupled with the operation of the <REC> button on the camera.

The control signals to start the recording and pause the recording are alternately output every time the <REC> button is pressed.

- Recording is performed on both the memory card and the external equipment by inserting a memory card into the camera and pressing the <REC> button.
- Recording is performed only in the external equipment when the <REC> button is pressed without inserting a memory card into the camera.

■ Outputting from the <SDI OUT1>/<SDI OUT2> terminal

This is enabled by the [VIDEO OUT/LCD/VF] menu → [SDI OUT1]/[SDI OUT2] → [SDI REC REMOTE] → [ON].

■ Outputting from the <HDMI OUT> terminal

This is enabled by the [VIDEO OUT/LCD/VF] menu → [HDMI OUT] → [HDMI REC REMOTE] → [ON].

NOTE

- The tally lamp is illuminated even when recording only on the external record.
- When the [OTHERS] menu → [LED] → [REC TALLY] → [GREEN]/[CHAR] is set, recording status of the camera is indicated with the green tally lamp on the viewfinder or with characters.
With this setting, it can be distinguished from the control status of the external device indicated by the tally lamp.
- The SDI and HDMI remote functions are disabled for the interval recording.

Confirming the control output status

The status of control is displayed in the viewfinder or the monitor screen when the control signal is output.

The displayed status is not the recording status of the connected external equipment, but the status of the control signal output from the camera.

Displays the control status of the recording start and recording stop on the external equipment connected to the <SDI OUT1>/<SDI OUT2>/<HDMI> terminals.

- **[REC S/H]:** Recording instruction is output to the output from the <SDI OUT1>/<SDI OUT2>/<HDMI> terminals.
- **[S/H]:** Pause instruction is output to the output from the <SDI OUT1>/<SDI OUT2>/<HDMI> terminals.
- **[REC SDI]:** Recording instruction is output to the output from the <SDI OUT1>/<SDI OUT2> terminals.
- **[SDI]:** Pause instruction is output to the output from the <SDI OUT1>/<SDI OUT2> terminals.
- **[REC HDMI]:** Recording instruction is output to the output from the <HDMI> terminal.
- **[HDMI]:** Pause instruction is output to the output from the <HDMI> terminal.

Chapter 9 **Network Connection**

This chapter describes how to use the camera by connecting to a network.

Network connection

The camera can be connected to a network via a wireless LAN or wired LAN.

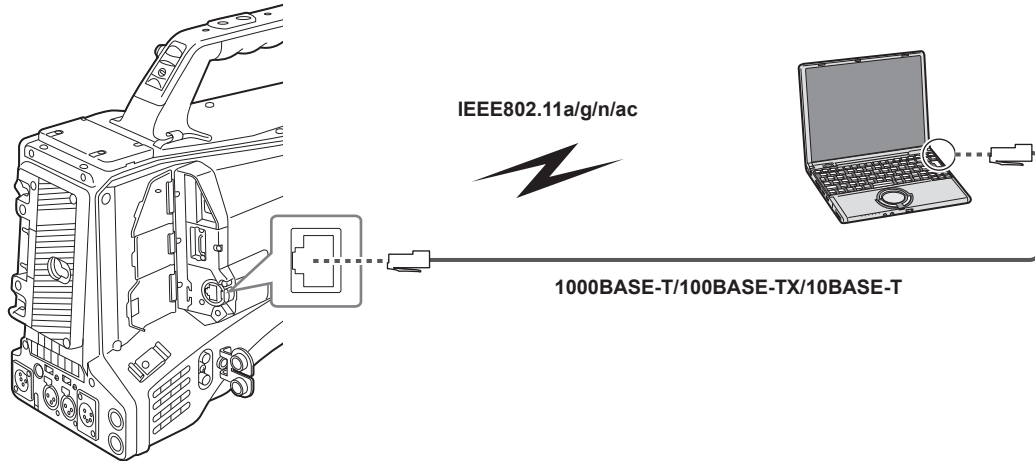
Also, high speed network connection is possible when the camera is connected to a wireless LAN or wired LAN by using the bonding device.

For details on wireless module and bonding device that can be connected, refer to the support desk at the following website.

<https://pro-av.panasonic.net/>

Attach the wireless module (optional) to the <USB2.0 HOST> terminal to use a wireless LAN.

Connect a LAN cable to the <LAN> terminal on the rear side to use wired LAN.



NOTE

- For the cable to be connected to the <LAN> terminal, use a category 7 LAN cable.

Available functions

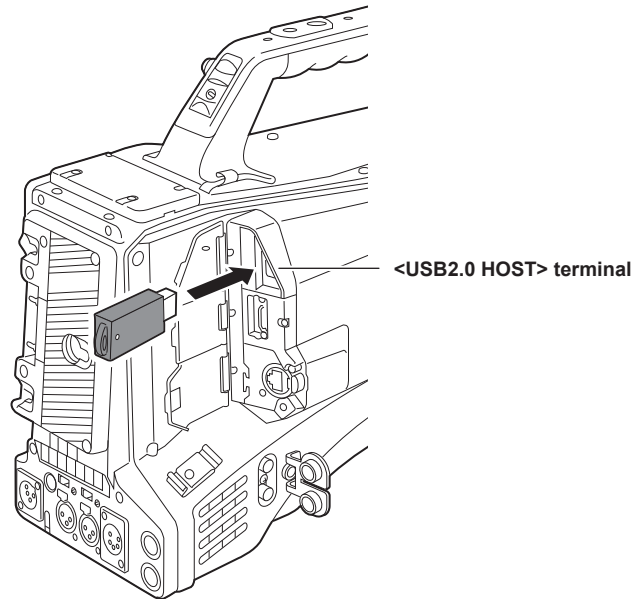
When the camera is connected to a network, the following functions are available.

- Connecting to CX ROP application
- Streaming function
- NDI|HX function
- P2 Cast link

Preparing for connection

For the wireless module AJ-WM50

Mount the wireless module AJ-WM50 (optional) to the camera.



- 1** Open the <USB2.0 HOST> terminal cover.
- 2** Connect the wireless module to the <USB2.0 HOST> terminal.
Insert it all the way.

NOTE

- When removing the wireless module, pull it out straight.

Cautions when using the wireless module AJ-WM50

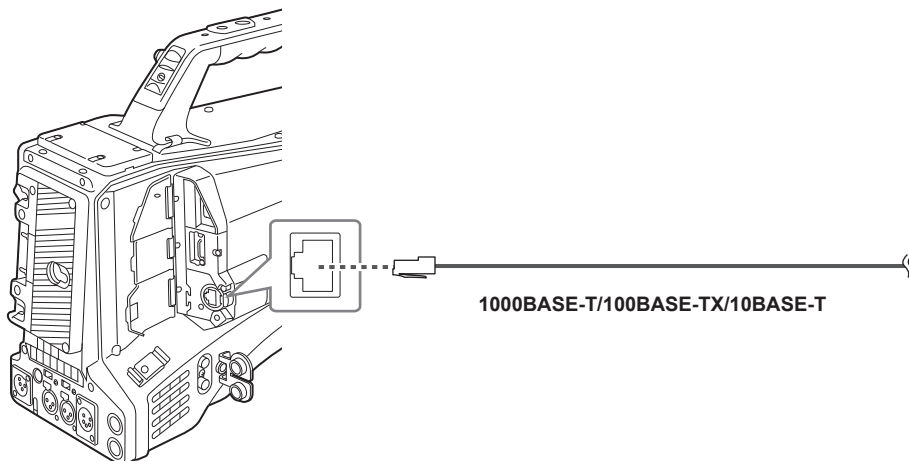
Read the operating instruction of the wireless module thoroughly and understand it before using.

For the latest information, visit the following website:

<https://pro-av.panasonic.net/>

For the wired LAN

Connect a LAN cable.



- 1** Insert the LAN cable into the <LAN> terminal.

Network settings

Wireless LAN settings

This is the setting to connect with the iPhone/iPad or the Android terminal directly or to connect to the wireless access point via wireless LAN.

Direct connection ([DIRECT])

This is the setting to connect the camera to the iPhone/iPad or Android terminal directly.

The camera may restart if necessary when the setting is changed.

1 Select the [NETWORK] menu → [DEVICE SEL] → [WLAN].

2 Select the [NETWORK] menu → [WLAN PROPERTY] → [TYPE] → [DIRECT].

3 In the [NETWORK] menu → [WLAN PROPERTY], set each item as necessary.

- For details about the settings, refer to “Setting items in [WLAN PROPERTY] when set to [DIRECT]” (page 190).

4 Select the SSID of the camera from the SSID list in the iPhone/iPad or Android terminal, and enter the password (encryption key).

Display the wireless access point list screen in wireless LAN setting, and select SSID of the camera.

(Factory setting: [AJ-CX4000])

When the password confirmation screen appears, enter the password (encryption key).

For details, refer to the operating instruction of the iPhone/iPad or Android terminal.

(Factory setting: [01234567890123456789abcdef])

5 Close the menu or return to the level of the [NETWORK] menu.

6 Check the network connection.

Once connected,  is displayed on the screen of the camera.

■ Setting items in [WLAN PROPERTY] when set to [DIRECT]

[SSID]		Network name of the camera (SSID) (Factory setting: [AJ-CX4000])
[BAND]		Setting to switch between two communication method ([2.4GHz] or [5GHz]) (Factory setting: [2.4GHz])
[CHANNEL(2.4GHz)]		Channel to be used when [BAND] is set to [2.4GHz] (Factory setting: [AUTO])
[CHANNEL(5GHz)]		Channel to be used when [BAND] is set to [5GHz] (Factory setting: [AUTO])
[ENCRYPTION]		Setting the encryption method (Factory setting: [WPA2-AES])
[ENCRYPT KEY]		WPA2 encryption key (Factory setting: [01234567890123456789abcdef])
[IPv4 SETTING]	[DHCP]	Setting the DHCP function <ul style="list-style-type: none"> • [OFF]: Does not use DHCP. • [CLIENT]: Automatically acquired with the DHCP when connected by setting [TYPE] to [INFRA(SELECT)] or [INFRA(MANUAL)]. (Cannot be selected.) • [SERVER]: Enables the DHCP server function of the camera when connecting with [TYPE] set to [DIRECT]. (Factory setting: [OFF])
	[IP ADDRESS]	IP address of the camera (Factory setting: [192.168.0.1])
	[SUBNET MASK]	Subnet mask (Factory setting: [255.255.255.0])

NOTE

- The startup time after turning on the power may be longer due to starting of the network.
- When changing the settings of [DEVICE SEL], the changes will not be reflected until the camera is restarted. Setting screen termination may take some time due to the restart of the network service after the setting is changed.
- Some of the items not included in the table cannot be set.
- [ENCRYPTION] will be fixed to [WPA2-AES].
- Depending on the used wireless module, some of the items in [BAND], [CHANNEL(2.4GHz)], and [CHANNEL(5GHz)] may not be able to select.

Connecting to the wireless access point ([INFRA(SELECT)],[INFRA(MANUAL)])

This is the setting to connect the camera to a wireless access point.

When connecting by searching the wireless access point (SSID)

1 Select the [NETWORK] menu → [DEVICE SEL] → [WLAN].

2 Select the [NETWORK] menu → [WLAN PROPERTY] → [TYPE] → [INFRA(SELECT)].

3 In the [NETWORK] menu → [WLAN PROPERTY], set each item as necessary.

- For details about the setting items, refer to “[WLAN PROPERTY] setting items when set to [INFRA(SELECT)] or [INFRA(MANUAL)]” (page 191).


4 Select the SSID of the searched wireless access point.

Skip to step 6 if [ENCRYPT KEY] (encryption key, password) is not set.

5 If the [ENCRYPT KEY] is set, enter the password, and select [Enter].

6 Close the menu or return to the level of the [NETWORK] menu.

7 Check the network connection.

Once connected,  is displayed on the screen of the camera.

When entering the wireless access point (SSID) manually

1 Select the [NETWORK] menu → [DEVICE SEL] → [WLAN].

2 Select the [NETWORK] menu → [WLAN PROPERTY] → [TYPE] → [INFRA(MANUAL)].

3 In the [NETWORK] menu → [WLAN PROPERTY], set each item as necessary.

- For details about the setting items, refer to “[WLAN PROPERTY] setting items when set to [INFRA(SELECT)] or [INFRA(MANUAL)]” (page 191).

4 In the [NETWORK] menu → [WLAN PROPERTY] → [SSID], enter the SSID of the wireless access point to connect.

Skip to step 6 if [ENCRYPT KEY] (encryption key, password) is not set.

5 If the [ENCRYPT KEY] is set, enter the password, and select [Enter].

6 Close the menu or return to the level of the [NETWORK] menu.

7 Check the network connection.

Once connected,  is displayed on the screen of the camera.

■ [WLAN PROPERTY] setting items when set to [INFRA(SELECT)] or [INFRA(MANUAL)]

[ENCRYPTION]	[WPA-TKIP], [WPA-AES], [WPA2-TKIP], [WPA2-AES], [NONE] (Factory setting: [WPA2-AES])	
[ENCRYPT KEY]	WPA/WPA2 encryption key (Factory setting: [01234567890123456789abcdef])	
[IPv4 SETTING]	[DHCP]	Setting the DHCP function <ul style="list-style-type: none"> • [OFF]: Does not use DHCP. • [CLIENT]: Automatically acquired with the DHCP when connected by setting [TYPE] to [INFRA(SELECT)] or [INFRA(MANUAL)]. • [SERVER]: When connecting by setting [TYPE] to [DIRECT], enable the DHCP server function of the camera. (Cannot be selected.) (Factory setting: [OFF])
	[IP ADDRESS]	IP address of the camera (Factory setting: [192.168.0.1])
	[SUBNET MASK]	Subnet mask (Factory setting: [255.255.255.0])
	[DEFAULT GATEWAY]	Default gateway (Factory setting: [192.168.0.254])
	[PRIMARY DNS]	Primary DNS server setting (Factory setting: [0.0.0.0])
	[SECONDARY DNS]	Secondary DNS server setting (Factory setting: [0.0.0.0])

 **NOTE**

- The startup time after turning on the power may be longer due to starting of the network.
- When changing the settings of [DEVICE SEL], the changes will not be reflected until the camera is restarted. Also, the setting screen termination may take some time due to the restart of the network service after the setting is changed.
- ENCRYPTION in WEP is not supported.
- Some items cannot be set depending on the settings such as [DHCP].
- When [DHCP] is set to [CLIENT], some of the information acquired automatically with DHCP is displayed in the menu.
For details of the network status, confirm by selecting the [NETWORK] menu → [INFORMATION] → [STATUS].
- All of the IP address, subnet mask, and default gateway must be correctly set.
For details, contact the network administrator.
- When the default gateway or DNS is not to be used, set to [0.0.0.0].
However, DNS cannot be disabled when [DHCP] is set to [CLIENT].
- Depending on the network environment, even if [DHCP] is set to [CLIENT], entry of the DNS value manually may be required. When invalid DNS value is entered in any other cases, the automatic assignment by DHCP will not operate properly.

Wired LAN settings

These are the settings when using a wired LAN.

1 Select the [NETWORK] menu → [DEVICE SEL] → [LAN].

2 In the [NETWORK] menu → [LAN PROPERTY], set each item as necessary.

- For details about the setting items, refer to “Setting items in [LAN PROPERTY] when set to [LAN]” (page 192).

3 Close the menu or return to the level of the [NETWORK] menu.**4** Configure the settings of the wired LAN on your device such as a computer.

For more information, refer to the operating instructions or help for the connection device.

■ Setting items in [LAN PROPERTY] when set to [LAN]

[MAC ADDRESS]		MAC address of the wired LAN (cannot be changed)
[IPv4 SETTING]	[DHCP]	Setting the DHCP function <ul style="list-style-type: none"> • [OFF]: Does not use DHCP. • [CLIENT]: Acquires automatically with DHCP. • [SERVER]: Enables the DHCP server function of the camera. (Factory setting: [OFF])
	[IP ADDRESS]	IP address of the camera (Factory setting: [192.168.0.1])
	[SUBNET MASK]	Subnet mask (Factory setting: [255.255.255.0])
	[DEFAULT GATEWAY]	Default gateway (Factory setting: [192.168.0.254])
	[PRIMARY DNS]	Primary DNS server setting (Factory setting: [0.0.0.0])
	[SECONDARY DNS]	Secondary DNS server setting (Factory setting: [0.0.0.0])
[IPv6 SETTING]	[ENABLE/DISABLE]	IPv6 setting <ul style="list-style-type: none"> • [ENABLE]: Uses IPv6. • [DISABLE]: Does not use IPv6. (Factory setting: [DISABLE])
	[DHCP]	Setting the DHCP function <ul style="list-style-type: none"> • [OFF]: Does not use DHCP. • [CLIENT]: Acquires automatically with DHCP. (Factory setting: [OFF])
	[IP ADDRESS]	IP address of the camera (Factory setting: [::])
	[PREFIX LENGTH]	Prefix length settings of the subnet (Factory setting: [64])
	[DEFAULT GATEWAY]	Default gateway (Factory setting: [::])
	[PRIMARY DNS]	Primary DNS server (Factory setting: [::])
	[SECONDARY DNS]	Secondary DNS server (Factory setting: [::])

 **NOTE**

- Some items cannot be selected depending on the settings such as [DHCP].
- The startup time after turning on the power may be longer due to starting of the network.
- When changing the settings of [DEVICE SEL], the changes will not be reflected until the camera is restarted. Setting screen termination may take some time due to the restart of the network service after the setting is changed.
- All of the IP address, subnet mask, and default gateway must be correctly set.
For details, contact the network administrator.
- Set [0.0.0.0] or [::] when not using the default gateway or DNS.
However, DNS cannot be disabled when [DHCP] is set to [CLIENT].
- Depending on the network environment, even if [DHCP] is set to [CLIENT], entry of the DNS value manually may be required. When invalid DNS value is entered in any other cases, the automatic assignment by DHCP will not operate properly.
- DHCP and DNS may not function properly depending on the network environment.
- The IP address cannot be automatically acquired depending on the connection timing with network devices if the [NETWORK] menu → [LAN PROPERTY] → [IPv6 SETTING] → [DHCP] → [CLIENT] is set.
In this case, reconnect the LAN cable or contact your network administrator.

Specifying the network settings using the settings tool**Camera settings****1** From the [NETWORK] menu → [UTILITY] → [EASY IP SETTING], select anything other than [DISABLE].**2** Select the [NETWORK] menu → [UTILITY] → [EASY IP CAMERA TITLE].**3** Enter the name (nickname) of the camera.

Entered name will be the name to be displayed on the EASY IP Setup Software screen.

Installing software

Download and install EASY IP Setup Software (EasyIPSetup.exe) from the following website. (Windows)
<https://pro-av.panasonic.net/>

■ EASY IP Setup Software (EasyIPSetup.exe)

Configure the network settings of the camera.

Performing settings of the camera using EASY IP Setup Software

The settings for the camera network can be performed using EASY IP Setup Software.

The settings for multiple cameras need to be performed on each camera.

If the settings cannot be specified using EASY IP Setup Software, specify the settings of the camera in the [NETWORK] menu.

NOTE

- EASY IP Setup Software can be used only when all of the following conditions are satisfied.
 - The [NETWORK] menu → [UTILITY] → [EASY IP SETTING] is set to anything other than [DISABLE]
 - The [NETWORK] menu → [DEVICE SEL] → [LAN] is set
- The camera will not operate properly after the network settings are specified if the IP address is the same as another device on the same network. Set a unique IP address for the camera.
- EASY IP Setup Software cannot be used from a different subnet via a router.
- Use Ver.4.25R00 or later for EASY IP Setup Software.

Setting procedure

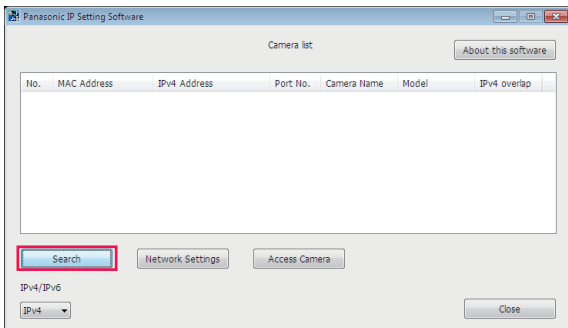


Fig. 1

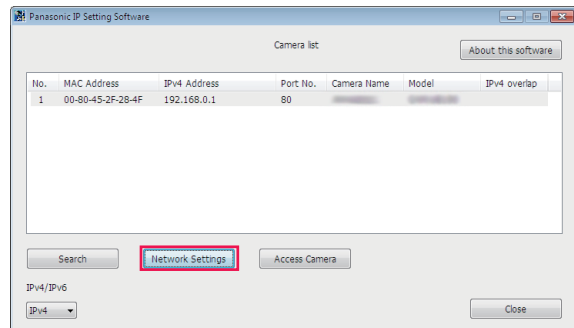


Fig. 2

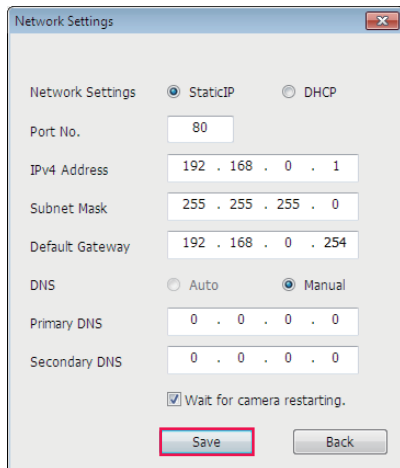


Fig. 3

1 Start EASY IP Setup Software.

2 Click [Search]. (Fig. 1)

3 Click the MAC address/IPv4 address of the camera to set, and then click [Network settings]. (Fig. 2)

- When there are overlapping IP addresses, overlapping camera numbers are displayed in the [Duplicate IPv4 address] field of the corresponding camera.

4 Enter each of the network setting items, and then click [Save]. (Fig. 3)

- It may take approximately two minutes to complete the setting of the camera after clicking [Save].
 The settings become invalid if the external DC power supply or LAN cable is disconnected before the settings are complete. Specify the settings again.

NOTE

- The IP address assigned to the camera can be checked by clicking [Search] of EASY IP Setup Software when using the DHCP server.

- The camera does not support the IPv6 setting due to EASY IP Setup Software.
- Allow access to all of the ports for UDP when implementing a firewall (including software).
- Some of the items cannot be set on this camera.
- [View Camera Screen] displayed on Fig. 1 and Fig. 2 does not function on this camera.

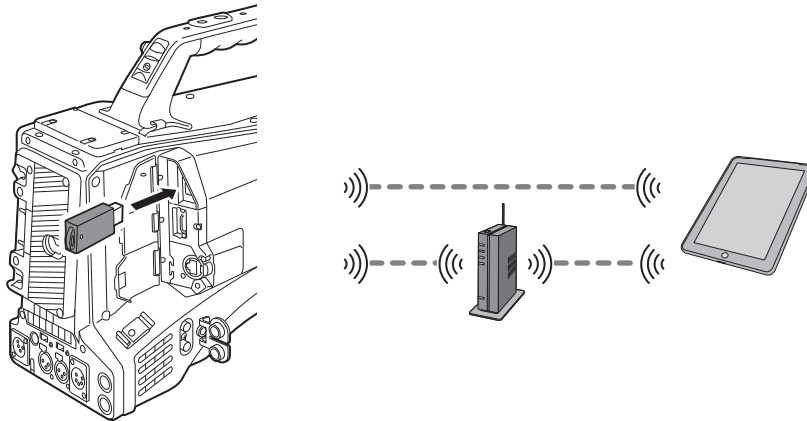
Confirming the network status

The status of the camera network can be checked using the following operations.

- 1 Select the [NETWORK] menu → [INFORMATION] → [STATUS].

Connecting to the iPhone/iPad or Android terminal

The camera can be operated from the iPhone/iPad or Android terminal.



Mounting the wireless module

Mount the wireless module (optional) to the camera. (page 189)

Camera settings

Specifying the network settings

Specify the network settings. (page 190)

Setting the user account name and the password

- 1** Select the [NETWORK] menu → [IP REMOTE] → [USER ACCOUNT].
- 2** Enter the user account name and select [Enter].
 - Enter the user account name with 31 characters or less.
- 3** Enter the password and select [Enter].
 - Enter a password between 8 characters and 15 characters.

■ To enter a character

Operation is the same as entering with a keyboard.

Icon	Description of operation
[A-a]	Switches between upper case and lower case. (Displayed during the text entry mode)
[@-#]	Switches the type of the symbols. (Displayed during the symbol entry mode)
	Returns to the previous screen. Entered character is not reflected.
123 #+=	Switches the character to symbol/number.
┌	Enters space (blank).
[BS]	Deletes the character. Previous character is deleted when the cursor position is empty.
	Moves the cursor to right or left.
[Enter]	Completes the character entry.

Enabling the IP remote function

- 1** Select the [NETWORK] menu → [IP REMOTE] → [ENABLE/DISABLE] → [ENABLE].

Checking/deleting user accounts

- 1** Select the [NETWORK] menu → [IP REMOTE] → [ACCOUNT LIST].
 - The list of registered user accounts is displayed.
 - Proceed to Step 3 to only check user accounts.
- 2** Select the user account to delete, and then select [SET].
 - A confirmation message appears.
- 3** Select and end the operation.

Preparing the CX ROP app

Install the CX ROP app to the iPhone/iPad or Android terminal.

■ For iPhone/iPad

- Download the CX ROP app from the App Store.

■ For Android terminal

- Download the CX ROP app from the Google Play Store.

NOTE

- For information such as the supported OS of the CX ROP app, refer to the App Store or the Google Play Store download page.

Connecting to the CX ROP application

Connect to the camera following the CX ROP app guide.

NOTE

- The camera cannot connect with the CX ROP app while the menu or thumbnail screen is displayed.

Operation while the CX ROP app is connected

■ Operation of the camera that is connected

Following buttons and dial cannot be used.

- <MENU> button
- <THUMBNAIL> button

■ Recording and playback operation while connected

- Recording can be operated by either the camera or the CX ROP app.
- Playback operation is not possible.

NOTE

- The content set with the remote control using the CX ROP app is reflected to the camera.

Streaming function

You can perform streaming of audio and video currently shot with the camera over a network (wired LAN/wireless LAN).

Streaming can be performed using the camera, an application software of a device connected via a network, or a server that is capable of receiving streaming video sent from the camera.

There are two ways to start streaming: streaming from an application software and streaming from the camera. This section describes the camera's network connection method for each method.

Camera settings

Specifying the network settings

Specify the network settings. (page 190)

Settings for the streaming function

1 Set the [SYSTEM] menu → [FREQUENCY]/[REC FORMAT].

- For details about the setting items, refer to “Settings when using the streaming function” (page 197).

2 Select the [NETWORK] menu → [NETWORK FUNC] → [STREAMING].

Streaming function is enabled.

3 In the [NETWORK] menu → [STREAMING] → [STREAMING FORMAT], set the format when streaming.

- For details about the setting items, refer to “Settings when using the streaming function” (page 197).

NOTE

- The streaming function can be used when all of the following conditions are satisfied.
 - The menu has been set according to “Settings when using the streaming function” (page 197)
(This cannot be used when set to UHD)
 - Some special recording functions are disabled
- When the [SCENE FILE] menu → [GAMMA MODE SEL] is set to [HLG], video is streamed after converting from high dynamic range to standard dynamic range.

■ Settings when using the streaming function

[SYSTEM] menu		[NETWORK] menu → [STREAMING]
[FREQUENCY]	[REC FORMAT]	[STREAMING FORMAT]
[59.94Hz]	[1080-59.94p/AVC-I100] [1080-59.94p/AVC-I422] [1080-59.94p/AVC-G25] [1080-59.94p/AVC-G12] [1080-59.94p/422LongGOP 100M] [1080-59.94p/422ALL-I 200M]	[1920×1080-60fps 24M] [1920×1080-60fps 20M] [1920×1080-60fps 16M] [1280×720-60fps 14M] [1280×720-60fps 8M] [1280×720-60fps 3M] [640×360-30fps 4M] [640×360-30fps 1.5M] [640×360-30fps 0.7M] (Factory setting) [320×180-30fps 4M] [320×180-30fps 1.5M] [320×180-30fps 0.5M]
	[1080-59.94i/AVC-I200] [1080-59.94i/AVC-I100] [1080-59.94i/AVC-I50] [1080-59.94i/AVC-G50] [1080-59.94i/AVC-G25] [1080-59.94i/AVC-G12] [1080-29.97p/422LongGOP 50M] [1080-29.97p/422ALL-I 100M] [1080-59.94i/422LongGOP 50M] [1080-59.94i/422ALL-I 100M]	[1920×1080-30fps 14M] [1920×1080-30fps 6M] [1920×1080-30fps 1M] [1280×720-30fps 8M] [1280×720-30fps 2M] [1280×720-30fps 1M] [640×360-30fps 4M] [640×360-30fps 1.5M] [640×360-30fps 0.7M] (Factory setting) [320×180-30fps 4M] [320×180-30fps 1.5M] [320×180-30fps 0.5M]
	[1080-23.98p/422LongGOP 50M] [1080-23.98p/422ALL-I 100M]	[1920×1080-24fps 14M] [1920×1080-24fps 6M] [1920×1080-24fps 1M] (Factory setting)
	[720-59.94p/AVC-I200] [720-59.94p/AVC-I100] [720-59.94p/AVC-I50] [720-59.94p/AVC-G50] [720-59.94p/AVC-G25] [720-59.94p/AVC-G12]	[1280×720-60fps 14M] [1280×720-60fps 8M] [1280×720-60fps 3M] [640×360-30fps 4M] [640×360-30fps 1.5M] [640×360-30fps 0.7M] (Factory setting) [320×180-30fps 4M] [320×180-30fps 1.5M] [320×180-30fps 0.5M]

[SYSTEM] menu		[NETWORK] menu → [STREAMING]
[FREQUENCY]	[REC FORMAT]	[STREAMING FORMAT]
[50.00Hz]	[1080-50.00p/AVC-I100] [1080-50.00p/AVC-I422] [1080-50.00p/AVC-G25] [1080-50.00p/AVC-G12] [1080-50.00p/422LongGOP 100M] [1080-50.00p/422ALL-I 200M]	[1920×1080-50fps 24M] [1920×1080-50fps 20M] [1920×1080-50fps 16M] [1280×720-50fps 14M] [1280×720-50fps 8M] [1280×720-50fps 3M] [640×360-25fps 4M] [640×360-25fps 1.5M] [640×360-25fps 0.7M] (Factory setting) [320×180-25fps 4M] [320×180-25fps 1.5M] [320×180-25fps 0.5M]
	[1080-50.00i/AVC-I200] [1080-50.00i/AVC-I100] [1080-50.00i/AVC-I50] [1080-50.00i/AVC-G50] [1080-50.00i/AVC-G25] [1080-50.00i/AVC-G12] [1080-25.00p/422LongGOP 50M] [1080-25.00p/422ALL-I 100M] [1080-50.00i/422LongGOP 50M] [1080-50.00i/422ALL-I 100M]	[1920×1080-25fps 14M] [1920×1080-25fps 6M] [1920×1080-25fps 1M] [1280×720-25fps 8M] [1280×720-25fps 2M] [1280×720-25fps 1M] [640×360-25fps 4M] [640×360-25fps 1.5M] [640×360-25fps 0.7M] (Factory setting) [320×180-25fps 4M] [320×180-25fps 1.5M] [320×180-25fps 0.5M]
	[720-50.00p/AVC-I200] [720-50.00p/AVC-I100] [720-50.00p/AVC-I50] [720-50.00p/AVC-G50] [720-50.00p/AVC-G25] [720-50.00p/AVC-G12]	[1280×720-50fps 14M] [1280×720-50fps 8M] [1280×720-50fps 3M] [640×360-25fps 4M] [640×360-25fps 1.5M] [640×360-25fps 0.7M] (Factory setting) [320×180-25fps 4M] [320×180-25fps 1.5M] [320×180-25fps 0.5M]

Starting streaming with an operation from the application software

- 1 Select the [NETWORK] menu → [STREAMING] → [START TRIGGER] → [RECEIVER].
- 2 Specify the IP address and the path of the camera with the application software as follows, and start streaming.
rtsp:// (IP address)/stream

NOTE

- Perform an operation from the application software to stop streaming.
- Only RTSP is available when starting streaming with an operation from application software.
- For details about the operations to start streaming from the application software, please refer to the manual for each application software.
- Streaming stops when performing operations such as displaying the thumbnail screen or playing back clips on the camera.
- Streaming may stop when the date/time is set while streaming.

Streaming with multicast

One streaming can be distributed to multiple receivers via supported router, etc., when the multicast function is used.

- 1 Select the [NETWORK] menu → [STREAMING] → [START TRIGGER] → [RECEIVER(MULTICAST)].
- 2 Specify each of the [NETWORK] menu → [STREAMING] → [MULTICAST ADDRESS]/[MULTICAST PORT].
 - Set [MULTICAST ADDRESS] within following range.
IPv4: 224.0.1.0 to 239.255.255.254
IPv6: Multicast address starting with FF
 - Set [MULTICAST PORT] within the range of 1024 to 50000.

- 3 Specify the address of the camera and start streaming with the application software.

NOTE

- Multicast cannot start streaming with the operation on the camera.
- Disable the LAN card not to be used when receiving the multicast image to be displayed on a computer with multiple LAN cards installed.

Starting streaming with an operation on the camera

- 1 Select the [NETWORK] menu → [STREAMING] → [START TRIGGER] → [CAMERA].
- 2 Set the destination.

For details of setting the destination, refer to “Setting the destination for streaming in the menu of the camera” (page 199) or “Referring to the memory card for the destination of streaming” (page 199).

3 Select the [NETWORK] menu → [STREAMING] → [START] → [ON].

If the camera is connected to the transmission destination through a network, the camera starts the transmission of streaming video.

NOTE

- When the streaming cannot be started due to reasons such as the network is not connected, the [NETWORK] menu → [STREAMING] → [START] cannot be selected.
- Starting/stopping of the streaming from the camera can be assigned to the USER button. (page 129)
Streaming cannot be started by pressing the USER button when the menu or the thumbnail screen is displayed.
- Only RTMP and RTMPS are available when starting streaming with an operation from the camera. In such case, IPv6 cannot be used.
- For settings such as URL, refer to the manual for each streaming service.
- Streaming may not be possible depending on the operating condition of the streaming service.
- Streaming stops when performing operations such as displaying the thumbnail screen or playing back clips on the camera.
- Streaming may stop when the date/time is set while streaming.

Setting the destination for streaming in the menu of the camera**1 Select the [NETWORK] menu → [STREAMING] → [CONNECTION INFO.] → [MEMORY].****2 Enter the destination URL in the [NETWORK] menu → [STREAMING] → [RECEIVER URL].**

- Enter the destination URL in following format.
 - rtmp://(server URL):(port number)/(path)/(stream key)
 - rtmps://(server URL):(port number)/(path)/(stream key)

NOTE

- In general, a parameter for the stream key is required with RTMP, but the stream key may be contained as a part of the path depending on the service. For details, refer to the manual for each streaming service.
- Setting of [RECEIVER URL] is not possible when set to the [NETWORK] menu → [STREAMING] → [DATA TYPE] → [P2CAST]. Set this after performing the operation for [CLEAR (MEMORY)] once.

Referring to the memory card for the destination of streaming**1 Insert the memory card with the destination information saved into the card slot selected in the [OTHERS] menu → [FILE] → [SLOT FOR LOAD/SAVE].****2 Select the [NETWORK] menu → [STREAMING] → [CONNECTION INFO.] → [SD CARD].****Management of destination information**

Destination information can be saved and loaded between the menu of the camera and the memory card.

■ Saving the destination information on the memory card**1 Insert the memory card formatted in the camera into the card slot selected in the [OTHERS] menu → [FILE] → [SLOT FOR LOAD/SAVE].****2 Select the [NETWORK] menu → [STREAMING] → [SAVE (SD CARD)].****3 Select [YES] when the confirmation message is displayed.****NOTE**

- The name of the file in the memory card to save the destination information cannot be changed.
- The file with the destination information saved on the memory card is encrypted.
- Saving is not possible when set to the [NETWORK] menu → [STREAMING] → [DATA TYPE] → [P2CAST].
- Saving is not possible when the starting character string ("rtmp://", etc.) of the [NETWORK] menu → [STREAMING] → [RECEIVER URL] is not set correctly.

■ Loading destination information from the memory card**1 Insert the memory card with the destination information saved into the card slot selected in the [OTHERS] menu → [FILE] → [SLOT FOR LOAD/SAVE].****2 Select the [NETWORK] menu → [STREAMING] → [LOAD (SD CARD)].****3 Select [YES] when the confirmation message is displayed.****NOTE**

- The name of the file to load destination information saved on the memory card cannot be selected.
- The setting information that can be loaded (referenced) by the camera is as follows.
 - Information saved with the camera
 - Setting file created with the P2 Network Setting software (page 200)
 - Profile downloaded with P2 Cast (page 203)

Clearing the destination information**1 Select the [NETWORK] menu → [STREAMING] → [CLEAR (MEMORY)].**

- The setting information for P2 Cast is also cleared.
- The destination URL information set in P2 Cast is also cleared. (page 203)
- The setting related to multicast is not cleared.

Stopping streaming of video

- 1 Select the [NETWORK] menu → [STREAMING] → [START] → [OFF].

Entering the setting using the setting tool

Installing software

Download and expand the P2 Network Setting software for Windows from the following website.
<https://pro-av.panasonic.net/>

Creating the SDXC memory card for setting using the P2 Network Setting software

The SDXC memory card created with this software can be used as the reference destination when loading into the camera menu or when the [NETWORK] menu → [STREAMING] → [CONNECTION INFO.] → [SD CARD] is selected.

Setting procedure

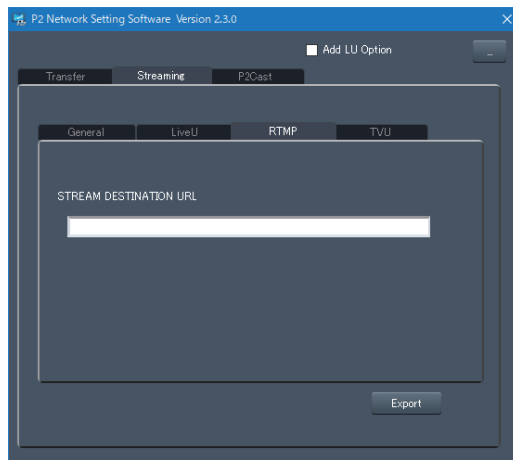


Fig. 1

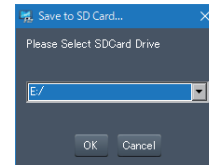


Fig. 2

- 1 Start the P2 Network Setting software. (Fig. 1)
- 2 Select the [Streaming] tab → [RTMP] tab.
- 3 Enter the destination URL in [STREAM DESTINATION URL].
- 4 Click [Export] and select the destination in the drive selection dialog, and then click [OK]. (Fig. 2)
 - This cannot be saved to anything other than a removable drive.

NDI|HX function

The camera can be connected to a NDI|HX compatible switchers made by NewTek.

NOTE

- Purchasing of the activation key is required to use the NDI|HX function. For details, refer to the website of NewTek.
- For details of each operation, refer to the operating instruction of the NDI|HX compatible switcher.
- The following functions cannot be used when the NDI|HX function is enabled. Some of the menu items related to those functions cannot be selected as well.
 - Recording function
 - Functions of the playback system including the thumbnail display
 - Wireless LAN

Camera settings

Specifying the network settings

Sets the wired LAN setting. (page 191)

Setting for the NDI|HX function

1 Set the [SYSTEM] menu → [FREQUENCY]/[REC FORMAT].

- For details about the setting items, refer to “Settings when using the NDI|HX function” (page 201).

2 Select the [NETWORK] menu → [NETWORK FUNC] → [NDI|HX].

The NDI|HX function is selected. The camera will automatically restart.

3 Set the streaming format with the [NETWORK] menu → [NDI|HX] → [STREAMING FORMAT].

This cannot be used when set to UHD.

NOTE

- NDI|HX function can be used when all of the following conditions are satisfied.
 - The menu has been set according to “Settings when using the NDI|HX function” (page 201)
 - Some special recording functions are disabled
- When the NDI|HX function is enabled, it is switched to the [NETWORK] menu → [UTILITY] → [EASY IP SETTING] → [UNLIMITED].
- When the [SCENE FILE] menu → [GAMMA MODE SEL] is set to [HLG], video is streamed after converting from high dynamic range to standard dynamic range.

■ Settings when using the NDI|HX function

[SYSTEM] menu		[NETWORK] menu → [NDI HX]
[FREQUENCY]	[REC FORMAT]	[STREAMING FORMAT]
[59.94Hz]	[1080-59.94p/AVC-I100] [1080-59.94p/AVC-I422] [1080-59.94p/AVC-G25] [1080-59.94p/AVC-G12] [1080-59.94p/422LongGOP 100M] [1080-59.94p/422ALL-I 200M]	[1920×1080-60fps 24M] [1920×1080-60fps 16M] [1920×1080-60fps 10M] (Factory setting) [1920×1080-60fps 8M] [1280×720-60fps 14M] [1280×720-60fps 10M] [1280×720-60fps 6M]
	[1080-59.94i/AVC-I200] [1080-59.94i/AVC-I100] [1080-59.94i/AVC-I50] [1080-59.94i/AVC-G50] [1080-59.94i/AVC-G25] [1080-59.94i/AVC-G12] [1080-29.97p/422LongGOP 50M] [1080-29.97p/422ALL-I 100M] [1080-59.94i/422LongGOP 50M] [1080-59.94i/422ALL-I 100M]	[1920×1080-30fps 14M] [1920×1080-30fps 10M] (Factory setting) [1920×1080-30fps 6M] [1280×720-30fps 8M] [1280×720-30fps 4M] [1280×720-30fps 2M]
	[720-59.94p/AVC-I200] [720-59.94p/AVC-I100] [720-59.94p/AVC-I50] [720-59.94p/AVC-G50] [720-59.94p/AVC-G25] [720-59.94p/AVC-G12]	[1280×720-60fps 14M] [1280×720-60fps 10M] (Factory setting) [1280×720-60fps 6M]
[50.00Hz]	[1080-50.00p/AVC-I100] [1080-50.00p/AVC-I422] [1080-50.00p/AVC-G25] [1080-50.00p/AVC-G12] [1080-50.00p/422LongGOP 100M] [1080-50.00p/422ALL-I 200M]	[1920×1080-50fps 24M] [1920×1080-50fps 16M] [1920×1080-50fps 10M] (Factory setting) [1920×1080-50fps 8M] [1280×720-50fps 14M] [1280×720-50fps 10M] [1280×720-50fps 6M]

[SYSTEM] menu		[NETWORK] menu → [NDI HX]
[FREQUENCY]	[REC FORMAT]	[STREAMING FORMAT]
	[1080-50.00i/AVC-I200] [1080-50.00i/AVC-I100] [1080-50.00i/AVC-I50] [1080-50.00i/AVC-G50] [1080-50.00i/AVC-G25] [1080-50.00i/AVC-G12] [1080-25.00p/422LongGOP 50M] [1080-25.00p/422ALL-I 100M] [1080-50.00i/422LongGOP 50M] [1080-50.00i/422ALL-I 100M]	[1920×1080-25fps 14M] [1920×1080-25fps 10M] (Factory setting) [1920×1080-25fps 6M] [1280×720-25fps 8M] [1280×720-25fps 4M] [1280×720-25fps 2M]
	[720-50.00p/AVC-I200] [720-50.00p/AVC-I100] [720-50.00p/AVC-I50] [720-50.00p/AVC-G50] [720-50.00p/AVC-G25] [720-50.00p/AVC-G12]	[1280×720-50fps 14M] [1280×720-50fps 10M] (Factory setting) [1280×720-50fps 6M]

Enabling the NDI|HX function

Perform the setting for the NDI|HX function, and then enable the NDI|HX function referring to the information in the NewTek website, etc. [NDI|HX] is displayed in the [NETWORK] menu → [NDI|HX] → [ACTIVATION] when the NDI|HX function is enabled.

NOTE

- The NDI|HX function will remain enabled once it has been set, unless the activation information saved on the camera is deleted.
- To enable the NDI|HX function of the camera using the tool from NewTek, it is necessary to select [NDI|HX] in the [NETWORK] menu → [NETWORK FUNC].

Streaming with multicast

One streaming can be distributed to multiple NDI|HX compatible switchers via supported router, etc., when the multicast function is used.

1 Select the [NETWORK] menu → [NDI|HX] → [MULTICAST] → [ENABLE].

2 Select the [NETWORK] menu → [NDI|HX], and specify [MULTICAST ADDRESS] and [MULTICAST PORT].

- Set [MULTICAST ADDRESS] within following range.
 IPv4: 224.0.1.0 to 239.255.255.254
 IPv6: Multicast address starting with FF
- Set [MULTICAST PORT] within the range of 1024 to 50000.

NOTE

- One that has added +1 to the end of the specified multicast address is also used for NDI|HX.
- Disable the LAN card not to be used when receiving the multicast image to be displayed on a computer with multiple LAN cards installed.

Using the NDI|HX function

Control the camera by operating the NDI|HX compatible switcher.

NOTE

- Streaming may stop when the date/time is set while streaming.

Disabling the NDI|HX function

1 Select the [NETWORK] menu → [NDI|HX] → [CLEAR ACTIVATION].

The activation information saved to the camera is deleted.

After the activation information is deleted, the NDI|HX function cannot be used until the NDI|HX function is enabled again.

Using P2 Cast

P2 Cast

By using P2 Cast, the status of the camera operating in the remote area can be confirmed and the RTMP streaming can be remotely controlled.

For details, refer to the following website.

<https://pro-av.panasonic.net/>

NOTE

- A contract is required to use P2 Cast. For details, consult your dealer.
- Some of the functions of P2 Cast (thumbnail display, etc.) cannot be used with this camera.
- There are some functions that cannot be used depending on the P2 Cast server being used. For details, consult your dealer.

Procedure for using

For details, refer to the P2 Cast documents.

1 Login to P2 Cast, and download the profile.

2 Decompress the downloaded file.

3 Save the decompressed PRIVATE folder in the root directory of the SDXC memory card.

4 Perform the setting of the camera as follows.

- 1) Select the [NETWORK] menu → [STREAMING] → [START TRIGGER] → [CAMERA].
- 2) Insert a SDXC memory card into the card slot selected in the [OTHERS] menu → [FILE] → [SLOT FOR LOAD/SAVE], and load the profile into the camera with one of the following.
 - Select the [NETWORK] menu → [STREAMING] → [CONNECTION INFO.] → [MEMORY], and load the content of SD with the [NETWORK] menu → [STREAMING] → [LOAD (SD CARD)].
 - Select the [NETWORK] menu → [STREAMING] → [CONNECTION INFO.] → [SD CARD].

5 Register [NETWORK ID(MAC ADDRESS)] of the camera in P2 Cast.

- 1) Check the [NETWORK ID(MAC ADDRESS)] by displaying [OTHERS] → [INFORMATION] → [VERSION] in the camera.
- 2) Register [NETWORK ID(MAC ADDRESS)] of the camera in the [CONFIG] screen in P2 Cast. (“.” dose not need to be entered.)

6 Perform each operation with P2 Cast.

RTMP streaming from P2 Cast

- For detailed streaming procedure, refer to documents for P2 Cast.
 - Remote control of the RTMP streaming is not possible when the menu or the thumbnail screen is displayed on the camera.
 - Once the operation to start streaming from P2 Cast or setting of the destination URL is performed, the destination URL is recorded inside the camera. Streaming to the same destination can be performed with the operation from the camera after that. (page 198)
 - The recorded destination URL cannot be viewed on the camera.
 - The recorded destination URL information is also cleared when the destination information is cleared.
- For details, refer to “Clearing the destination information” (page 199).

Chapter 10 **Maintenance**

Maintenance of the camera and error message are described.

Warning system

If an error is detected immediately after the camera is turned on or during an operation, the error is indicated with the <WARNING> lamp, tally lamp, alarm, etc. Deal with the error by following the indications.

Warning list

NOTE

- “Reduced wireless audio reception” (page 206) is not displayed when set to the [AUDIO] menu → [INPUT SETTINGS] → [WIRELESS WARN] → [OFF].
- Card access lamp does not flash even a warning occurs when set to the [OTHERS] menu → [LED] → [ACCESS LED] → [OFF].

1 System error

Status display	Does not display.
Warning lamp	Flashes four times per second.
Tally lamp	Flashes four times per second.
Card access lamp	All card access lamps flash four times per second in orange.
Viewfinder	[SYSTEM ERROR] is displayed.
Alarm	Sounds continuously.
Warning content	Reference signal error or communication error.
Recording or playback operation	The current operation will stop.
Action to take	Consult your dealer.

2 Card removal error

Status display	Does not display.
Warning lamp	Flashes four times per second.
Tally lamp	Flashes four times per second.
Card access lamp	All card access lamps flash four times per second in orange.
Viewfinder	[TURN POWER OFF] is displayed.
Alarm	Sounds continuously.
Warning content	An error occurred in the camera because the expressP2 card being accessed was removed.
Recording or playback operation	The current operation will stop.
Action to take	Follow the message to turn the power off once and turn the power on again. Ensure that there is no error in the clips on the ejected card, and repair the clips as necessary.

3 Battery end (low voltage input)

Status display	Seven battery charge level bars flash.
Warning lamp	Lights.
Tally lamp	Flashes four times per second.
Card access lamp	All card access lamps flash four times per second in orange.
Viewfinder	The [BATT] lamp is illuminated if the viewfinder has the [BATT] lamp. [EMP] flashes in the battery charge level display. ([%] flashes for batteries with information about its remaining capacity.)
Alarm	Sounds continuously.
Warning content	The battery has run out.
Recording or playback operation	The current operation will stop. The power is turned off in approximately five seconds.
Action to take	Change the batteries.

4 High temperature error

Status display	Does not display.
Warning lamp	Flashes four times per second.
Tally lamp	Flashes four times per second.
Card access lamp	All card access lamps flash four times per second in orange.
Viewfinder	[HIGH TEMPERATURE] is displayed.
Alarm	Sounds continuously.
Warning content	The internal temperature of the camera has risen exceeding the expectation.
Recording or playback operation	The current operation will stop. The power is turned off in approximately five seconds.
Action to take	Turn on the power again and confirm the recording by playing it back. If the problem persists, consult the dealer.

5 Card end

Status display	Seven remaining memory card capacity level bars flash.
Warning lamp	Lights.
Tally lamp	Flashes four times per second.
Card access lamp	All card access lamps flash four times per second in orange.
Viewfinder	[END] is displayed in the remaining memory card capacity display.
Alarm	Sounds continuously.
Warning content	There is no more remaining memory card capacity.

Chapter 10 Maintenance — Warning system

Recording or playback operation	Recording will stop.
Action to take	Delete clips in the memory card or insert a new memory card.

6 Recording error

Status display	Does not display.
Warning lamp	Flashes four times per second.
Tally lamp	Flashes four times per second.
Card access lamp	All card access lamps flash four times per second in orange.
Viewfinder	[REC WARNING] is displayed. <ul style="list-style-type: none"> • [REC WARNING]/[<OVER MAX NUM. OF CLIPS>] is displayed when you try to record exceeding the limit for number of clips. • [TEMPORARY PAUSE]/[IRREGULAR SIG] is displayed when the genlock reference signal is not correctly received.
Alarm	Sounds four times per second.
Warning content	This is a recording or recording circuit setting error.
Recording or playback operation	Recording will stop. When the reference signal for genlock is not correctly received, pause the recording, and resume the recording when the signal returns to normal.
Action to take	Start recording again. Or, turn the power off once and then start recording again. To record exceeding the maximum numbers of the clips, replace the memory card or delete unnecessary clips.

7 Card error

Status display	Does not display.
Warning lamp	Flashes four times per second when occurring during recording. It does not illuminate when it occurs during playback.
Tally lamp	Flashes four times per second when occurring during recording. It does not illuminate when it occurs during playback.
Card access lamp	All card access lamps flash four times per second in orange when occurring during recording.
Viewfinder	Displays [CARD ERROR <SLOT 1>] (corresponding card slot number is displayed).
Alarm	Sounds four times per second when occurring during recording. It does not sound when it occurs during playback.
Warning content	A memory card error occurred during recording or playback.
Recording or playback operation	The current operation will stop. The memory card with the error is write-protected after it is stopped.
Action to take	Replace the memory card.

8 Reduced wireless audio reception

Status display	Does not display.
Warning lamp	Flashes four times per second. (When idle or during recording)
Tally lamp	Flashes four times per second while recording is continued.
Viewfinder	[WIRELESS RF] is displayed.
Alarm	Sounds four times per second while recording is continued.
Warning content	The error indicates poor wireless audio reception conditions.
Recording or playback operation	The current operation will continue.
Action to take	Check the microphone power supply and the reception status of the receiver.

9 Battery near end

Status display	One battery charge level bar flashes.
Warning lamp	Flashes once per second.
Tally lamp	Flashes once per second.
Viewfinder	The [BATT] lamp flashes once per second if the viewfinder has the [BATT] lamp. ([%] indication flashes if the battery has information of remaining capacity.)
Alarm	Sounds four times per second.
Warning content	The battery is about to run out.
Recording or playback operation	The current operation will continue.
Action to take	Change the batteries as needed.

10 Memory card recording near end

Status display	One remaining memory card capacity level bar flashes.
Warning lamp	Flashes once per second while recording is continued.
Tally lamp	Flashes once per second while recording is continued.
Viewfinder	The remaining memory card capacity indicator flashes.
Alarm	Sounds once per second while recording is continued.
Warning content	The remaining memory card capacity totals 2 minutes or less.
Recording or playback operation	The current operation will continue.
Action to take	Change the memory card or insert an additional card as needed.

Alert

Screen display	Description	Behavior and cause
Camera image screen		
[SIMUL REC WARNING <SLOT 2>]/ [SIMUL REC WARNING <SLOT 3>]	An error has occurred in one of the memory cards during simultaneous recording.	A message is displayed for approximately five seconds. • Recording to the other memory card will continue.
[SIMUL REC WARNING <SLOT 2>]/ [SIMUL REC WARNING <SLOT 3>]	Recording has been attempted while the number of clips has exceeded the limit on one of the memory cards during simultaneous recording.	A message is displayed for approximately five seconds. • Recording to the other memory card will continue. • [SIMUL REC WARNING <SLOT 2>] [<OVER MAX NUM. OF CLIPS>]/[SIMUL REC WARNING <SLOT 3>] [<OVER MAX NUM. OF CLIPS>] is displayed in the message display area of the STATUS screen for the mode check. • Replace the memory card or delete unnecessary clips.
[FAN STOPPED]	The fan has stopped.	A message is displayed. • The current operation will continue. • Stop the use immediately when the fan has stopped and alert is displayed, and consult the dealer. • If the fan has stopped, temperature of the camera will rise. Therefore, do not use the camera for a long period of time. Use the tripod, etc., and do not touch the camera directly.
[Non-supported card. <SLOT 1>] [Insert expressP2 card.]	Card other than expressP2 card is inserted in the card slot 1.	A message is displayed for approximately five seconds. • Insert an expressP2 card.
[ENCRYPTED CARD <SLOT 1>]/ [ENCRYPTED CARD <SLOT 2>]/ [ENCRYPTED CARD <SLOT 3>]	P2 card formatted with encryption with CPS (Content Protection System) password is inserted.	A message is displayed for approximately five seconds. • The camera does not support the CPS function of the P2 card. Insert a P2 card that is not formatted with encryption with CPS password. • Formatting P2 card, which was formatted with encryption with CPS password, in the camera will enable P2 card to be used as unencrypted card.
[REINSERT OR CHECK CARD <SLOT 1>]/ [REINSERT OR CHECK CARD <SLOT 2>]/ [REINSERT OR CHECK CARD <SLOT 3>]	The memory card cannot be recognized properly because a recording medium which is not supported has been inserted or there is dirt on the terminal of the memory card.	A message is displayed for approximately five seconds. • Check the memory card that is inserted. • Insert the memory card again if displayed when inserting a memory card.
[FORMAT ERROR CARD <SLOT 1>]/ [FORMAT ERROR CARD <SLOT 2>]/ [FORMAT ERROR CARD <SLOT 3>]	A memory card with management information out of specifications has been inserted.	A message is displayed for approximately five seconds. • Insert a memory card that can record.
[NOT SDXC CARD <SLOT 2>]/[NOT SDXC CARD <SLOT 3>]	A SDHC memory card that cannot record the MOV format data or a 32 GB microP2 card is inserted when [FILE FORMAT] is set to MOV format.	A message is displayed for approximately five seconds. • Insert a SDXC memory card or 64 GB microP2 card.
[INCOMPATIBLE CARD <SLOT 2>]/ [INCOMPATIBLE CARD <SLOT 3>]	A memory card that may not be able to record due to slow writing speed has been inserted.	A message is displayed for approximately five seconds. • The current operation will continue. • Use a memory card with sufficient writing speed.
[DIR NG CARD <SLOT 1>]/[DIR NG CARD <SLOT 2>]/ [DIR NG CARD <SLOT 3>]	A P2 card with inappropriate directory placement is inserted when [FILE FORMAT] is set to P2 format.	A message is displayed for approximately five seconds. • The current operation will continue. • Take a backup of the memory card immediately, and use it again after formatting.
[RUN DOWN CARD <SLOT 1>]/ [RUN DOWN CARD <SLOT 2>]/[RUN DOWN CARD <SLOT 3>]	A P2 card exceeding the specified number of overwrites is inserted.	A message is displayed for approximately five seconds. • The current operation will continue. • Replace the P2 card.
[SD CARD <SLOT 2>]/[SD CARD <SLOT 3>]	SD card is inserted when [FILE FORMAT] is set to P2 format.	A message is displayed for approximately five seconds. • The current operation will continue. • Recording to a P2 card is recommended.
[SLOT1 CANNOT REC] [microP2/SD SELECTED]	A memory card is inserted in card slot 1 when the [RECORDING] menu → [REC MEDIA] → [microP2/SD] is set.	A message is displayed for approximately five seconds. • Set to the [RECORDING] menu → [REC MEDIA] → [expressP2] when recording on the memory card inserted in card slot 1.
[SLOT2/3 CANNOT REC] [expressP2 SELECTED]	A memory card is inserted in card slot 2 or card slot 3 when the [RECORDING] menu → [REC MEDIA] → [expressP2] is set.	A message is displayed for approximately five seconds. • Set to the [RECORDING] menu → [REC MEDIA] → [microP2/SD] when recording on the memory card inserted in card slot 2 or card slot 3.
[BACKUP BATT EMPTY]	Voltage lowering of the backup battery for internal clock was detected when the power is set to < > (ON).	A message is displayed for approximately five seconds. • The current operation will continue. • Set the date/time again after charging the built-in battery.

Message

Screen display Camera image screen	Description	Behavior and cause
[CANNOT PLAY.]	This is a clip that cannot be played back. (When it cannot be played back due to difference of the system frequency, etc.) An error has occurred during playback, and the playback has stopped.	A message is displayed. • Confirm if the system frequency of the clip is the same as the system frequency of the camera. • Check the clip.
[CANNOT DELETE.]	This is a clip that cannot be deleted.	A message is displayed. • Match the device and content versions.
[CANNOT RECORD. THE NUMBER OF CLIPS HAS EXCEEDED THE MAXIMUM LIMIT.]	The number of clips that can be recorded has reached the maximum.	A message is displayed. • Replace the memory card or delete unnecessary clips.
[CARD ERROR. PLEASE REFORMAT.]	Formatting of the memory card has failed.	A message is displayed. • Format it again.
[CANNOT RE-CONNECT.]	Clips cannot be re-connected due to the reasons such as selecting a clip that has not been recorded over multiple memory cards.	A message is displayed. • Check the selected clip.
[COPY IMPOSSIBLE. TOO LARGE CLIP CONTAINED.]	The P2 clip exceeding 4 GB cannot be copied to a memory card of 32 GB or less.	A message is displayed. • Copy to a memory card with the capacity exceeding 32 GB.
[CANNOT COPY TO SAME CARD.]	The clip recorded over multiple memory cards cannot be copied to a same memory card.	A message is displayed. • Copy to a memory card not containing a clip that is recorded over multiple memory cards.
[Repair failed.]	Repairing the clip where an error occurred has failed because the power was disconnected or the memory card was removed during recording. Restoring of the management information has failed.	A message is displayed. • Check the memory card.
[REINSERT OR CHECK CARD.]	This memory card cannot be formatted.	A message is displayed. • Check the memory card.
[CANNOT PROTECT.]	This is a clip that cannot be protected.	A message is displayed. • Match the device and content versions.
[THE CLIP IS PROTECTED. PLEASE CANCEL PROTECTION.]	The clip is protected so it cannot be deleted.	A message is displayed. • Cancel the protect on the clip.
[CANNOT DELETE UNTIL TOP MENU IS DELETED. DELETE TOP MENU? (RECORDED DATA WILL NOT BE DELETED)]	The camera is trying to delete a clip on the memory card where the top menu has been created.	A message is displayed. • Delete the top menu.
[CANNOT RECORD UNTIL TOP MENU IS DELETED. DELETE TOP MENU? (RECORDED DATA WILL NOT BE DELETED)]	The memory card where the top menu was created has been inserted.	A message is displayed. • Delete the top menu.
[THUMBNAIL DATA ERROR IS DETECTED.]	An error occurred in the thumbnail information of the memory card.	A message is displayed. • Restoring of the management information is performed automatically after this.
[CANNOT RECORD - INCOMPATIBLE CONTROL DATA.]	The version of the management information on the memory card is not supported.	A message is displayed. • Match the device and content versions.
[CANNOT SET.]	This cannot be set.	A message is displayed. • Perform the setting after making it possible to set.
[THIS CLIP CANNOT BE COPIED.]	The clip cannot be copied.	A message is displayed. • Copy the clips other than the corresponding clip.
[CONTROL DATA ERROR HAS BEEN DETECTED. (SD CARD)]	An error occurred in the management information of the memory card.	A message is displayed. • Restoring of the management information is performed automatically after this.
[COPY FAILED. PLEASE CHECK THE CARD.]	The clip has failed to copy due to an error in the memory card.	A message is displayed. • Check the memory card.
[CANNOT COPY - THE NUMBER OF CLIPS HAS REACHED MAXIMUM.]	The number of clips that can be copied has reached the maximum.	A message is displayed. • Replace the memory card in the copy destination or delete unnecessary clips.
[CANNOT PLAY THIS CLIP ON THIS MODEL.]	This is a clip that cannot be played back with the camera.	A message is displayed. • Playback on a device that can playback.
[INVALID]	Operation is disabled.	A message is displayed. • Operate after the the operation becomes enabled.
[Cannot record - Playlist capacity is full.]	The camera tried to record on a memory card where the number of playlists for recording has reached the maximum.	A message is displayed. • Replace the memory card or delete unnecessary clips.
[Cannot copy - Playlist capacity is full.]	The camera tried to copy to a memory card where the number of playlists for recording has reached the maximum.	A message is displayed. • Replace the memory card or delete unnecessary clips.
[Exceeds capacity. Please reselect.]	The remaining recording capacity of the memory card for the copy destination is insufficient.	A message is displayed. • Select the clip to copy again, or secure enough space in the remaining recording capacity on the memory card for the copy destination.

Chapter 10 Maintenance — Warning system

Screen display Camera image screen	Description	Behavior and cause
[Check the destination media.]	An error has occurred on the memory card for the copy destination while copying.	A message is displayed. • Confirm the memory card for the copy destination.
[LOAD NG]	Loading of the scene file has failed.	A message is displayed. • Check the memory card.
[SAVE NG]	Writing of the scene file has failed.	A message is displayed. • Check the memory card.
[DISCONNECT USB CABLE.]	Due to an OS non-compatible error, five minutes has elapsed until the service mode connection is established.	A message is displayed. • Confirm if the OS in use is supported by the camera.
[CARD LOCKED.]	The camera tried to protect or delete a clip on a memory card that has been locked. The camera tried to copy a clip to the memory card that has been locked.	A message is displayed. • Unlock the memory card.
[CANNOT SELECT MORE CLIPS.]	It has tried to select more than 99 clips.	A message is displayed. • Execute the process such as copying by every 99 clips.
[SELECT THE CLIP TO BE DELETED.]	It has tried to delete a clip without choosing any.	A message is displayed. • Select a clip to be deleted.
[SELECT THE CLIPS TO COPY.]	It has tried to copy a clip without choosing any.	A message is displayed. • Select a clip to be copied.
[SELECT THE CLIP TO RE-CONNECT.]	It has tried to re-connect without choosing any clip.	A message is displayed. • Select the clip to be re-connected.
[NO CARD.]	Copying was tried to be executed without inserting a memory card into card slot.	A message is displayed. • Insert a memory card into the card slot.
[REINSERT OR CHECK CARD <SLOT 1>]/[REINSERT OR CHECK CARD <SLOT 2>]/[REINSERT OR CHECK CARD <SLOT 3>]	It has tried to copy to an error card.	A message is displayed. • Check the memory card.
[CANNOT RECORD.]	Cannot be recorded.	A message is displayed. • Perform recording after making it possible.
[REC PAUSE INVALID]	The camera tried to stop the next recording before the previous recording finished writing to the memory card.	A message is displayed. • Stop recording after writing to the memory card is complete. Recording can be stopped after the message that is displayed disappears.
[WRITE PROTECTED]	The write-protected switch on the memory card is set to the Protect side or the LOCK side.	A message is displayed. • Insert a memory card with write access.
[ATW MODE]	The camera tried to execute auto white balance while auto tracking white balance function operated.	A message is displayed. • Cancel the auto tracking white balance function and execute auto white balance.
[AWB PRESET *****K]	The camera tried to execute auto white balance when the <WHITE BAL> switch is set to <PRST>.	A message is displayed. • Set the <WHITE BAL> switch to <A> or and execute auto white balance.
[AWB UNABLE] [S.GAIN MODE]	The camera tried to execute auto white balance while super gain function operated.	A message is displayed. • Cancel the super gain function and execute auto white balance.
[CHECK FILTER]	The <ND FILTER>/<CC FILTER> dial is not set correctly at power on. The camera tried to execute auto white balance when the <CC FILTER> dial was not set correctly.	A message is displayed. • Correctly set the <ND FILTER>/<CC FILTER> dial. • Correctly set the <CC FILTER> dial and execute auto white balance.
[LOW LIGHT]	Brightness has dropped.	A message is displayed. • Adjust the brightness.

Recording function that cannot be used simultaneously

Depending on the recording function that is set, there are recording functions that cannot be used simultaneously.

- Meaning of the symbols used in the table are as follows.
 - ✓: Can be used simultaneously.
 - —: Cannot be used simultaneously.

Recording function to additionally set	Recording function that is set			
	Pre-recording ^{*1*2}	Relay recording	Simultaneous recording	Interval recording ^{*3*4*5*6}
Pre-recording ^{*1*2}	—	✓	✓	—
Relay recording	✓	—	—	—
Simultaneous recording	✓	—	—	✓
Interval recording ^{*3*4*5*6}	—	—	✓	—

*1 Time code is fixed to free run.

*2 The pre-recording is canceled once when three hours has passed without starting the recording.

*3 Time code is fixed to recording run.

*4 The time code is fixed to [NDF].

*5 The [VIDEO OUT/LCD/VF] menu → [SDI OUT1]/[SDI OUT2]/[HDMI OUT] → [HDMI REC REMOTE] will not operate.

*6 Cannot set simultaneously when recording format is set to AVC-Intra 200/AVC-Intra 100/AVC-Intra 50.

Updating the camera firmware

Confirm the firmware version of the camera in the [OTHERS] menu → [INFORMATION] → [VERSION], access the most current information regarding firmware in the following website, and download the firmware as necessary.

<https://pro-av.panasonic.net/>

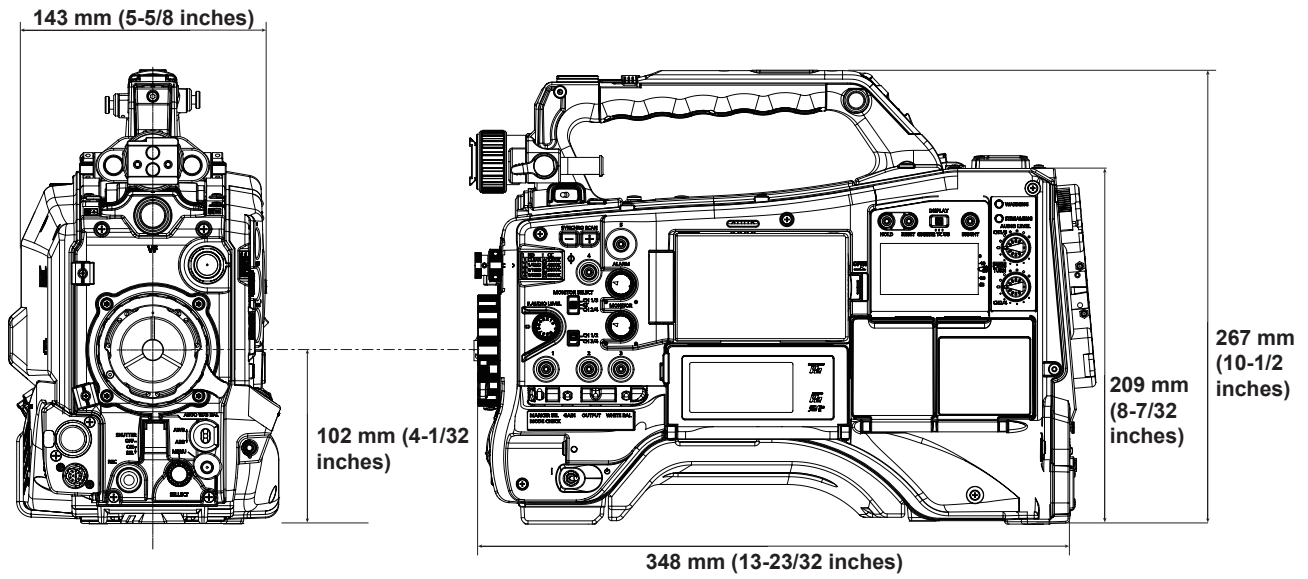
NOTE

- Update is completed by loading the downloaded file to the camera via the memory card. Insert the memory card that stores the update file into card slot 2, and select the [OTHERS] menu → [INFORMATION] → [UPDATE]. For update method, refer to the support desk at the following website: <https://pro-av.panasonic.net/>
- Do not turn off the power while updating the firmware. Rewriting of the firmware may fail and the camera may not be activated.

Chapter 11 **Specification**

This chapter describes the dimensions, specifications, and connector signals.

Dimensions



Specifications

General

Power

DC === 12 V (11.0 V – 17.0 V)

Power consumption

32 W (body only, 2160-59.94p/HEVC LongGOP 100M standard recording status, LCD ON)

72 W (with all the accessories connected and maximum power supplied from each output terminal)

indicates safety information.

Operating ambient temperature	0 °C – 40 °C (32 °F – 104 °F)
Operating ambient humidity	10% – 85% (relative humidity)
Storage temperature	–20 °C – 60 °C (–4 °F – 140 °F)
Mass	Approx. 3.4 kg (7.5 lbs.) (body only)
Dimensions (W×H×D)	Body only 143 mm×267 mm×348 mm (5-5/8 inches × 10-1/2 inches × 13-23/32 inches) (excluding protrusion)

Camera unit

Pickup device	MOS×1
Number of pixels	11.14 million pixels
Lens mount	2/3-type bayonet
Optical filter	<ul style="list-style-type: none"> • CC filter A: 3200 K, B: 4300 K, C: 5600 K, D: 6300 K • ND filter 1: CLEAR, 2: 1/4ND, 3: 1/16ND, 4: 1/64ND
Gain setting	–6 dB to 30 dB: Can be set in 1 dB steps
Digital super gain (DS.GAIN)	Selectable from 6 dB, 10 dB, 12 dB, 15 dB, 20 dB, 24 dB, 28 dB, 34 dB
Super gain (S.GAIN)	Selectable from 30 dB, 36 dB, 42 dB
Shutter speed	<ul style="list-style-type: none"> • When the [SYSTEM] menu → [FREQUENCY] → [59.94Hz] is set 1/100 sec., 1/120 sec., 1/250 sec., 1/500 sec., 1/1000 sec., 1/2000 sec., HALF • When the [SYSTEM] menu → [FREQUENCY] → [50.00Hz] is set 1/60 sec., 1/120 sec., 1/250 sec., 1/500 sec., 1/1000 sec., 1/2000 sec., HALF
Synchro scan shutter	<p>When the [SCENE FILE] menu → [SYNC SCAN TYPE] → [sec] is set</p> <ul style="list-style-type: none"> • When the [SYSTEM] menu → [FREQUENCY] → [59.94Hz] is set 59.94i/59.94p mode: 1/60.0 sec. to 1/7200 sec. 29.97p mode: 1/30.0 sec. to 1/7200 sec. 23.98p mode: 1/24.0 sec. to 1/7200 sec. • When the [SYSTEM] menu → [FREQUENCY] → [50.00Hz] is set 50i/50p mode: 1/50.0 sec. to 1/7200 sec. 25p mode: 1/25.0 sec. to 1/7200 sec.
Shutter open angle	<ul style="list-style-type: none"> • When the [SCENE FILE] menu → [SYNC SCAN TYPE] → [deg] is set 3.0 deg – 360.0 deg (can be set in 0.5 deg steps)
Sensitivity	<ul style="list-style-type: none"> • When the [SYSTEM] menu → [SHOOTING MODE] → [NORMAL] is set F6 (2000 lx, 3200 K, 89.9% reflection, 59.94 Hz) F7 (2000 lx, 3200 K, 89.9% reflection, 50.00 Hz) • When the [SYSTEM] menu → [SHOOTING MODE] → [HIGH SENS.] is set F10 (2000 lx, 3200 K, 89.9% reflection, 59.94 Hz) F11 (2000 lx, 3200 K, 89.9% reflection, 50.00 Hz)
Minimum subject illumination	Approx. 0.005 lx (F1.4, +42 dB (S.GAIN), +34 dB (DS.GAIN))
Image S/N	62 dB (standard)
Horizontal resolution	<ul style="list-style-type: none"> • UHD 2000 TV or higher (center) • HD 1000 TV or higher (center)
Digital zoom	×2, ×3, ×4

Memory card recorder

Recording media	<ul style="list-style-type: none"> • expressP2 card • microP2 card • SDXC memory card <p>UHS-I/UHS-II, UHS Speed Class 3 compatible, video Speed Class V90 compatible</p>
-----------------	--

Chapter 11 Specification — Specifications

Recording slot	Card slot dedicated for expressP2×1 microP2/SDXC UHS-II card slot×2
Number of recording pixels	3840×2160 (UHD), 1920×1080 (FHD), 1280×720 (HD) (AVC-Intra 50: 1440×1080, 960×720)
System frequency	59.94 Hz/50.00 Hz
Recording file format	P2 (P2 MXF), MOV (HEVC), MOV (AVC)
Recording format	<ul style="list-style-type: none"> • P2 AVC-Intra 422, AVC-LongG50, AVC-LongG25, AVC-LongG12 AVC-Intra 200, AVC-Intra 100, AVC-Intra 50 • MOV: 4:2:0 (10-bit) HEVC LongGOP 200M/HEVC LongGOP 150M/HEVC LongGOP 100M • MOV: 4:2:0 (8-bit) 420LongGOP 150M/420LongGOP 100M • MOV: 4:2:2 (10-bit) 422LongGOP 150M/422LongGOP 100M/422LongGOP 50M 422ALL-I 400M/422ALL-I 200M/422ALL-I 100M
Recording video signal	3840×2160/59.94p, 50p, 29.97p, 25p, 23.98p 1920×1080/59.94p, 50p, 29.97p, 25p, 23.98p, 59.94i, 50i 1280×720/59.94p, 50p 1440×1080/59.94i, 50i (AVC-Intra 50) 960×720/59.94p, 50p (AVC-Intra 50)
Recording and playback time	<p>When using a 64 GB microP2 card</p> <ul style="list-style-type: none"> • 1080-59.94p, 50p/AVC-Intra 422 1080-59.94i, 50i/AVC-Intra 200 Approx. 32 minutes • 1080-59.94i, 50i/AVC-Intra 100 Approx. 1 hour 4 minutes • 1080-59.94i, 50i/AVC-LongG50 Approx. 2 hours 8 minutes • 1080-59.94i, 50i/AVC-LongG25 Approx. 4 hours 16 minutes <p>When using a 64 GB SDXC memory card</p> <ul style="list-style-type: none"> • 3840×2160/420LongGOP 150M/59.94p, 50p Approx. 55 minutes • 1920×1080/420LongGOP 100M/59.94p, 50p Approx. 1 hour 20 minutes • 1920×1080/420LongGOP 50M/29.97p, 25p, 23.98p Approx. 2 hours 40 minutes
Two-slot function	Simultaneous recording, relay recording
Special recording	Pre-recording, interval recording

Digital video

Number of quantizing bits	<ul style="list-style-type: none"> • P2: 4:2:2 (10-bit)/4:2:0 (10-bit (AVC-Intra 50))/4:2:0 (8-bit (AVC-LongG12)) • MOV: 4:2:2 (10-bit)/4:2:0 (8-bit)/4:2:0 (10-bit (HEVC))
Video compression format	<ul style="list-style-type: none"> • P2: AVC-Intra 422/AVC-LongG50/AVC-LongG25/AVC-LongG12: MPEG-4 AVC/H.264 High Profile AVC-Intra 200/AVC-Intra 100/AVC-Intra 50: MPEG-4 AVC/H.264 Intra Profile • MOV: H.264/MPEG-4 AVC High Profile, H.265/MPEG-H HEVC Main10 Profile

Digital audio

Recording audio signal	<ul style="list-style-type: none"> • P2: 48 kHz/24 bits, 4ch (excluding AVC-LongG12) 48 kHz/16 bits, 4ch (AVC-Intra 100/AVC-Intra 50/AVC-LongG12) 24 bits/16 bits of AVC-Intra 100/AVC-Intra 50 can be selected by menu • MOV: 48 kHz/24 bit, 4ch
Audio recording format	<ul style="list-style-type: none"> • P2: LPCM • MOV: LPCM
Headroom	18 dB/20 dB (Can be selected by menu)

Streaming

Video compression format	H.264/MPEG-4 AVC Main Profile H.264/MPEG-4 AVC High Profile
Video resolution	1920×1080 (FHD), 1280×720 (HD), 640×360, 320×180
Streaming method	Unicast, Multicast
Frame rate	<ul style="list-style-type: none"> When the [SYSTEM] menu → [FREQUENCY] → [59.94Hz] is set 24 fps, 30 fps, 60 fps When the [SYSTEM] menu → [FREQUENCY] → [50.00Hz] is set 25 fps, 50 fps
Bit rate	24 Mbps, 20 Mbps, 16 Mbps, 14 Mbps, 8 Mbps, 6 Mbps, 4 Mbps, 3 Mbps, 2 Mbps, 1.5 Mbps, 1 Mbps, 0.7 Mbps
Audio compression format	AAC-LC: 48 kHz/16 bit 2ch
Supported protocol	RTSP/RTP/RTMP/RTMPS

Video output

<SDI OUT1> terminal	<ul style="list-style-type: none"> BNC×1 12G-SDI: 0.8 V [p-p], 75 Ω 3G/HD-SDI: 0.8 V [p-p], 75 Ω SDI remote control supported Output format (4:2:2 (10-bit) output) 3840×2160: 59.94p, 50p, 29.97p, 25p, 23.98p 1920×1080: 59.94p, 50p, 59.94i, 50i, 29.97PsF, 25PsF, 23.98PsF 1280×720: 59.94p, 50p
<SDI OUT2> terminal	<ul style="list-style-type: none"> BNC×1 3G/HD-SDI: 0.8 V [p-p], 75 Ω SD-SDI: 0.8 V [p-p], 75 Ω SDI remote control supported Output format (4:2:2 (10-bit) output) 1920×1080: 59.94p, 50p, 59.94i, 50i, 29.97PsF, 25PsF, 23.98PsF 1280×720: 59.94p, 50p 720×480: 59.94i 720×576: 50i
<HDMI> terminal	<ul style="list-style-type: none"> HDMI type A×1 (not compatible with VIERA Link) HDMI remote control supported Output format (4:2:2 (10-bit) output) 3840×2160: 59.94p, 50p, 29.97p, 25p, 23.98p 1920×1080: 59.94p, 50p, 59.94i, 50i, 29.97p, 25p, 23.98p 1280×720: 59.94p, 50p 720×480: 59.94p 720×576: 50p

Audio input/output

<AUDIO IN CH1/3> terminal <AUDIO IN CH2/4> terminal	<p>XLR×2, 3-pin <LINE>/<MIC>/<MIC+48V> (selected by switch)</p> <ul style="list-style-type: none"> <LINE>: 4 dBu/0 dBu/−3 dBu (selected by menu) <MIC>: −40 dBu/−50 dBu/−60 dBu (selected by menu) <MIC+48V> + 48 V/OFF compatible
<MIC IN> terminal	<p>XLR×1, 5-pin +48 V ON/OFF (selected by menu) −40 dBu/−50 dBu/−60 dBu (selected by menu)</p>
Wireless slot	25-pin, D-SUB, −40 dBu, 2ch supported
<AUDIO OUT> terminal	XLR×1, 5-pin 4 dBu/0 dBu/−3 dBu (selected by menu), equilibrium low impedance
<SDI OUT> terminal	LPCM 4ch
<HDMI> terminal	LPCM 2ch
<PHONES> terminal	3.5 mm diameter stereo mini jack×2 (output impedance 100 Ω)
Built-in speaker	20 mm diameter, round×1

Other input/output

<GENLOCK IN> terminal	BNC×1, 1.0 V [p-p], 75 Ω
-----------------------	--------------------------

Chapter 11 Specification — Specifications

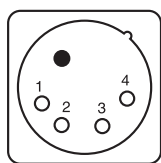
<TC IN/OUT> terminal	BNC×1 Used as input/output terminal (input/output switch by menu) <ul style="list-style-type: none">• Input: 0.5 V – 8.0 V [p-p], 10 kΩ• Output: 2.0 V±0.5 V [p-p], low impedance
<DC IN> terminal	XLR×1, 4-pin, DC 12 V (DC 11.0 V – 17.0 V)
<DC OUT> terminal	4-pin, DC 12 V (DC 11.0 V – 17.0 V), maximum output current 1.5 A
<LENS> terminal	12-pin
<VF> terminal	20-pin
<LAN> terminal	RJ-45 XLRnet connector: 1000BASE-T/100BASE-TX/10BASE-T
<USB2.0 HOST> terminal	Type A connector, 4-pin (5 V, 0.5 A), for attaching the wireless module (optional)
<USB DEVICE> terminal	USB 3.1 GEN1 type C connector, with USB mass storage function, without USB bus-powered function
<LIGHT> terminal	2-pin, DC12 V (DC11.0 V – 17.0 V), maximum output current 4.5 A (up to 50 W equivalent)

Monitor

LCD monitor	3.5-inch LCD color monitor: Approx. 2.76 million pixels, touch panel supported
Display window	2.4-inch black and white organic EL

Details of the connector signals

DC IN



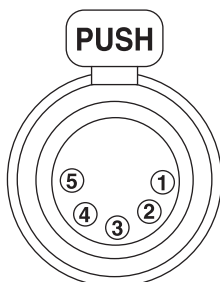
1	GND
2	NC
3	NC
4	+12 V

Panasonic Parts No.: K1AA104H0038
 Manufacturer Parts No.: HA16RX-4P (SW1) (76) (Hirose Electric Co.)

NOTE

• Make sure that the polarity of the external power supply is correct.

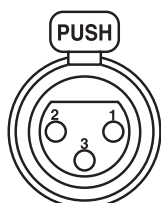
FRONT MIC IN



1	GND
2	L CH IN(H)
3	L CH IN(C)
4	R CH IN(H)
5	R CH IN(C)

Panasonic Parts No.: K1AB105B0002
 Manufacturer Parts No.: NC5FBH (NEUTRIK)

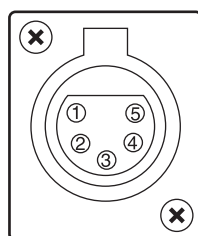
AUDIO IN



1	GND
2	AUDIO IN (H)
3	AUDIO IN (C)

Panasonic Parts No.: K1AY103A0001
 Manufacturer Parts No.: HA16PRM-3SG (72) (Hirose Electric Co.)

AUDIO OUT

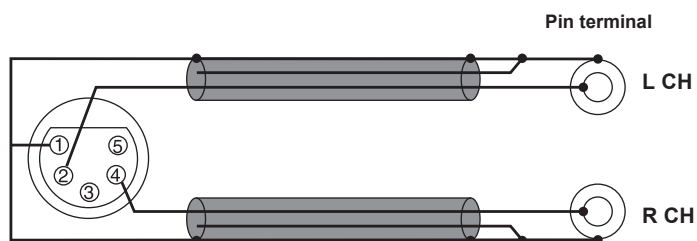


1	GND
2	L CH OUT(H)
3	L CH OUT(C)
4	R CH OUT(H)
5	R CH OUT(C)

Panasonic Parts No.: K1AA105H0016
 Manufacturer Parts No.: HA16RD-5P(76) (Hirose Electric Co.)

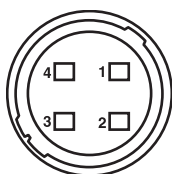
NOTE

• The <AUDIO OUT> terminal on the camera is the XLR terminal and outputs balanced audio signals. To make unbalanced connection with an external device using a pin plug, release pins 3 and 5. The following is a connection example.



Do not use the cable where the pin 3, pin 5 and pin 1 are connected. Doing so may result in a malfunction.

DC OUT



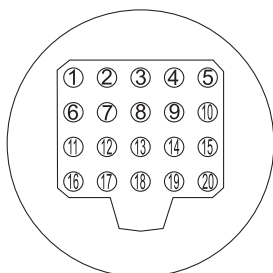
1	GND
2	R TALLY (open collector)
3	REC START SW
4	+12 V OUT DC (11 V – 17 V) (maximum 1.5 A)

Panasonic Parts No.: K1AY104J0001
 Manufacturer Parts No.: HR10A-7R-4SC (73) (Hirose Electric Co.)
 Cable connector manufacturer Parts No.: HR10A-7P-4(73) (Hirose Electric Co.)

NOTE

• Make sure the total of power taken from the <DC OUT> terminal, <VF> terminal, and <LENS> terminal does not exceed 30 W.

VF



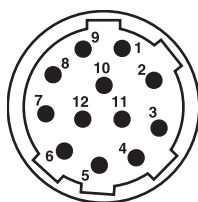
1	UNREG-12V	DC 12 V power supply
2	UNREG-12V	DC 12 V power supply
3	A9.0V	DC 9 V power supply (not used)
4	VF-P _B -GND	Viewfinder P _B signal GND
5	VF-P _R -GND	Viewfinder P _R signal GND
6	VF-Y	Viewfinder Y signal output
7	VF-Y-GND	Viewfinder Y signal GND
8	VF-CLK	Serial data clock pulse signal
9	VF-WR	Pulse signal for loading serial/parallel conversion data
10	VF-DATA	Serial data signal for serial/parallel conversion
11	UNREG-GND	GND
12	ZEBRA-SW	Zebra signal ON/OFF
13	PEAKING	Peaking control (not used)
14	SPARE	Spare (not used)
15	VF-P _R	Viewfinder P _R signal output
16	VF-P _B	Viewfinder P _B signal output
17	MARKER-SW	Marker ON/OFF (not used)
18	FRONT-VR	F.AUDIO LEVEL adjustment (not used)
19	VR-GND	F.AUDIO LEVEL GND (not used)
20	UNREG-GND	GND

Panasonic Parts No.: K1AB120H0001
 Manufacturer Parts No.: HR12-14RA-20SC (Hirose Electric Co.)

NOTE

• Make sure the total of power taken from the <DC OUT> terminal, <VF> terminal, and <LENS> terminal does not exceed 30 W.

LENS



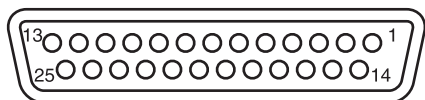
1	RET-SW
2	REC-START/STOP
3	GND
4	IRIS-AUTO
5	IRIS-CONT
6	UNREG +12 V (max. 1.5 A)
7	IRIS-POSI
8	IRIS-G-MAX
9	EXT-POSI
10	ZOOM-POSI
11	FOCUS-POSI
12	SPARE

Panasonic Parts No.: K1AY112JA001
 Manufacturer Parts No.: HR10A-10R-12SC (71) (Hirose Electric Co.)

NOTE

• Make sure the total of power taken from the <DC OUT> terminal, <VF> terminal, and <LENS> terminal does not exceed 30 W.

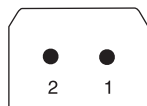
Wireless microphone receiver interface



1	CH-1 SHIELD	GND
2	CH-1 HOT	Audio input from the wireless microphone receiver: CH1 HOT
3	CH-1 COLD	Audio input from the wireless microphone receiver: CH1 COLD
4	GND	GND
5	UNREG +12 V	Power supply to the wireless microphone receiver
6	RX ON	Power remote output to the wireless microphone receiver
7	RF WARN	RF warning input from the wireless microphone receiver
8	RM5	Not used
9	RM4	Not used
10	SPARE 1	Not used
11	SPARE 2	Not used
12	EXT CLK	Not used
13	CLK SHIELD	Not used
14	CH-2 SHIELD	GND
15	CH-2 HOT	Audio input from the wireless microphone receiver: CH2 HOT
16	CH-2 COLD	Audio input from the wireless microphone receiver: CH2 COLD
17	+5.6 V	Power supply to the wireless microphone receiver
18	VIDEO OUT	Not used
19	VIDEO RET	Not used
20	VIDEO EN	Not used
21	RM 1 (RM CLK)	Not used
22	RM 2 (RM DATA)	Not used
23	RM 3 (RM WR)	Not used
24	RM+5 V	Not used
25	RM GND	Not used

Panasonic Parts No.: K1GB25A00010
 Manufacturer Parts No.: HDBB-25S (05) (Hirose Electric Co.)

LIGHT



1	12 V UNREG	Power supply to the light, etc. (supplied from the battery)
2	GND	GND

Panasonic Parts No.: VJS4444

Index

- A**
 Adjusting lens flange back 38
 Alert 207
 Audio input 131
- B**
 Battery 34
 Black balance 125
 Built-in battery 46
- C**
 CAC
 File 159
 Function 39
 Card reader mode 184
 Chromatic aberration compensation
 CAC file 159
 Function 39
 Clip
 Copying 171
 Deleting 172
 Display 169
 Link 174
 Operation 168
 Playback 174
 Protecting 173
 Restoring 173
 Clock 47
 Connector signal 218
 Counter data 139
 CX ROP app 195
- D**
 Date 47
 DC power supply 35
 Detail display 156
 Dimensions 213
 Display window 32
- E**
 Electronic shutter 126
 Enlarged display 155
 expressP2 card
 Card access lamp 53
 Folder structure 55
 Memory card 51
 Recording time 54
 Use 52
 External connection
 Card reader mode 184
 External equipment 185
 External power supply 35
- F**
 FBC function 127
 Firmware 211
 Flash band compensation function 127
 Focus assist function 155
 Focus square display 155
- G**
 Genlock 138
- H**
 HDR function 128
 High dynamic range function 128
 Hot swap recording 135
- I**
 Initialization
 Menu 61
 Scene files 163
 Target items 111
 Interval recording 134
- L**
 LCD monitor 157
 Lens 37
 Adjusting 38
 Lens files 164
- M**
 Maker display 154
 Memory card 51
 Folder structure 55
 Recording time 54
 Use 52
 Menu
 Basic operation 59
 Configuration 59
 Display 61
 Initialization 61
 Setting 62
 Menu items
 [AUDIO] 79
 [CAMERA] 62
 [NETWORK] 97
 [OPTION] 107
 [OTHERS] 103
 [RECORDING] 95
 [SCENE FILE] 68
 [SYSTEM] 102
 [THUMBNAIL] 62
 [VIDEO OUT/LCD/VF] 83
 Message 208
 microP2 card
 Card access lamp 53
 Folder structure 55
 Memory card 51
 Recording time 54
 Use 52
 Microphone 43
 Monochrome display 156
 MOV format
 Folder structure 55
 Format 136
 Memory card 51
 Recording time 54
 Volume label 56
- N**
 Network
 Connection 188
 CX ROP app 195
 P2 Cast 203
 Preparation 190
 Streaming function 197
- O**
 Output format 180
- P**
 P2 Cast 203
 P2 format
 Folder structure 55
 Format 136
 Memory card 51
 Recording time 54
 Volume label 56
 Peaking display 155
 Pre-recording 133
- R**
 Rain cover 45
 Recording check function 135
 Recording level 131
 Relay recording 133
 Remote function

HDMI remote	186
IP remote	188
SDI remote	186
Resume play	177
S	
Scene file	162
Factory setting value	108
Setting data	159
Use	162
Screen display	
During playback	148
During shooting	143
Mode check display	150
Thumbnail screen	168
SD card	
Card access lamp	53
Folder structure	55
Memory card	51
Recording time	54
Use	52
Setting data	
CAC files	39
File structure	159
Lens files	164
Scene file	162
Setup file	160
Setup file	160
User data	159
Shooting	
Inspection	48
Procedures	121
Standard recording	122
Shoulder strap	44
Simultaneous recording	134
Specifications	214
Still image recording function	178
Streaming function	197
Synchro scan mode	126
T	
Thumbnail	168
Time code	139
Time data	139
Tripod	44
U	
User bits	139
USER button	129
User file	159
W	
Warning system	205
Alert	207
Message	208
Warning	205
Waveform monitor function	156
White balance	123
White shading compensation	38
Wireless microphone receiver	43
Wireless module	195
Z	
Zebra pattern	154

Panasonic Corporation

Web Site: <https://www.panasonic.com>

© Panasonic Corporation 2019